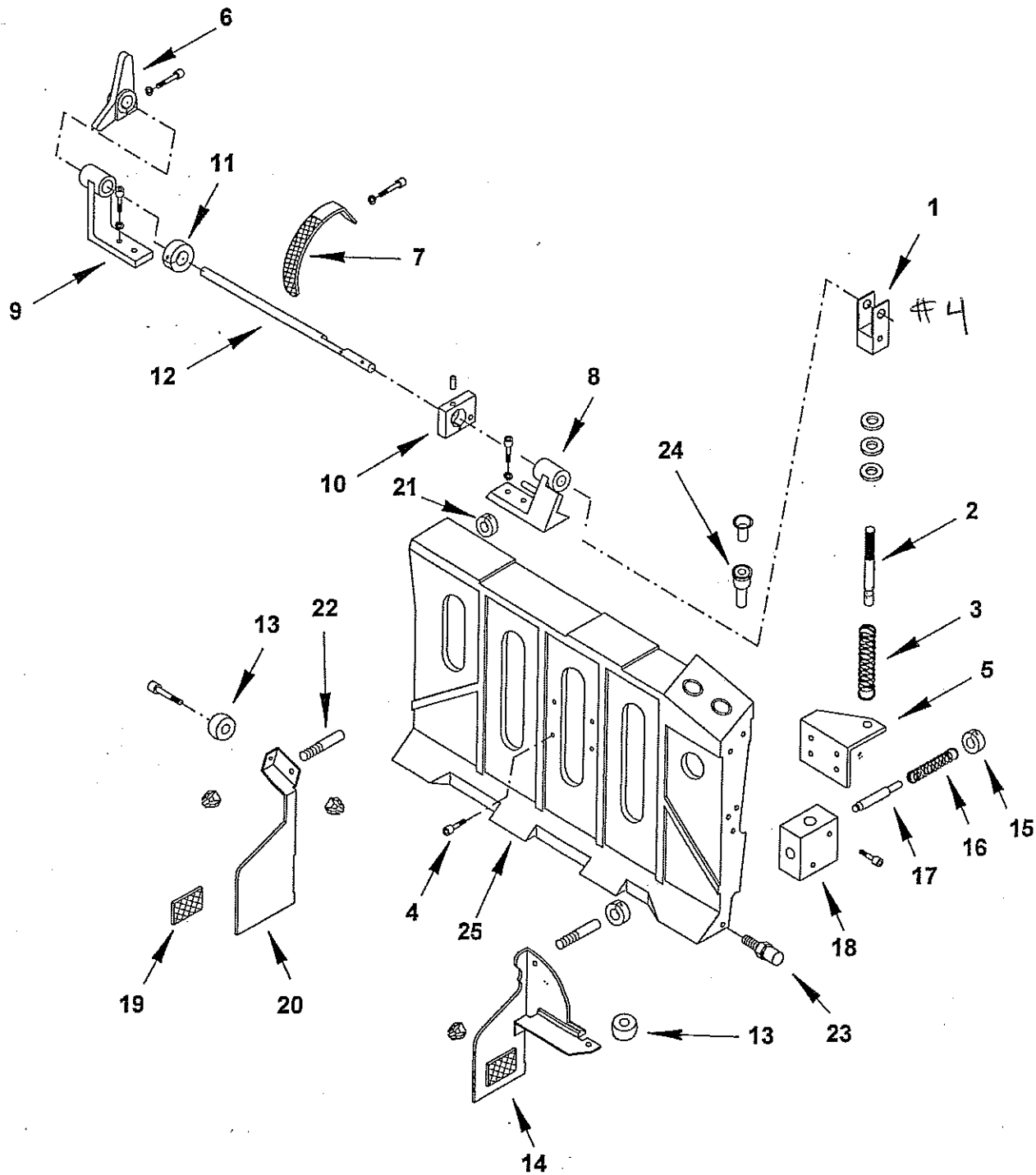


# FIXED POCKET WALL ASSEMBLY

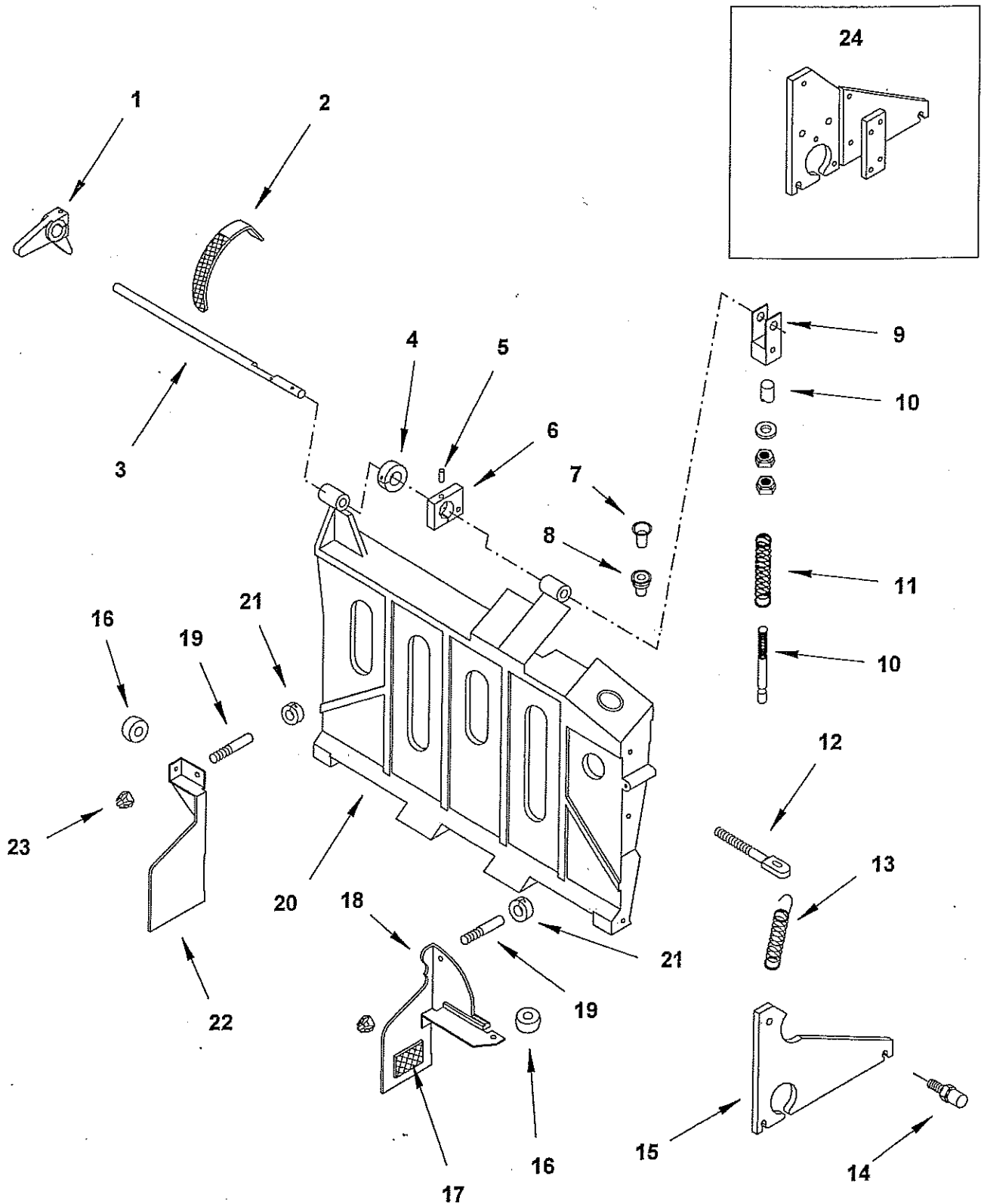
(EARLY MODEL 624/848/1372)



**FIXED POCKET WALL ASSEMBLY****(EARLY MODEL 624/848/1372)**

<u>PART#</u>	<u>DESCRIPTION</u>
1. KMS 2071	END, ROD
2. KMS 2072	ROD, SPRING
3. KMS 2067	SPRING, GRIPPER TENSION
4. KMS 9188	RIVET
5. KMS 9189	BRACKET, ROD GUIDE
6. KMS 0100	LEVER, POCKET GRIPPER
7. KMS 1018	GRIPPER, POCKET
8. KMS 9190	BEARING, GRIPPER SHAFT
9. KMS 9191	BEARING, GRIPPER
10. KMS 1045	LEVER, GRIPPER SHAFT
11. KMS 9192	COLLAR, LOCKING
12. KMS 9193	SHAFT, GRIPPER
13. KMS 9194	ROLLER, JOGGING PADDLE
14. KMS 1020	PADDLE, OUTSIDE JOGGING
15. KMS 9196	COLLAR, PADDLE SPRING
16. KMS 9197	SPRING, PADDLE
17. KMS 9198	STUD, OUTSIDE POCKET
18. KMS 9199	BEARING PADDLE
19. KMS 9200	RUBBER SPONGE
20. KMS 1019	PADDLE, INSIDE JOGGING
21. KMS 9201	COLLAR, LOCKING
22. KMS 9202	STUD, INSIDE PADDLE
23. KMS 0105	STUD, OUTSIDE POCKET
24. KMS 9203	STEM, SUCTION
25. KMS 9204	WALL, FIXED POCKET

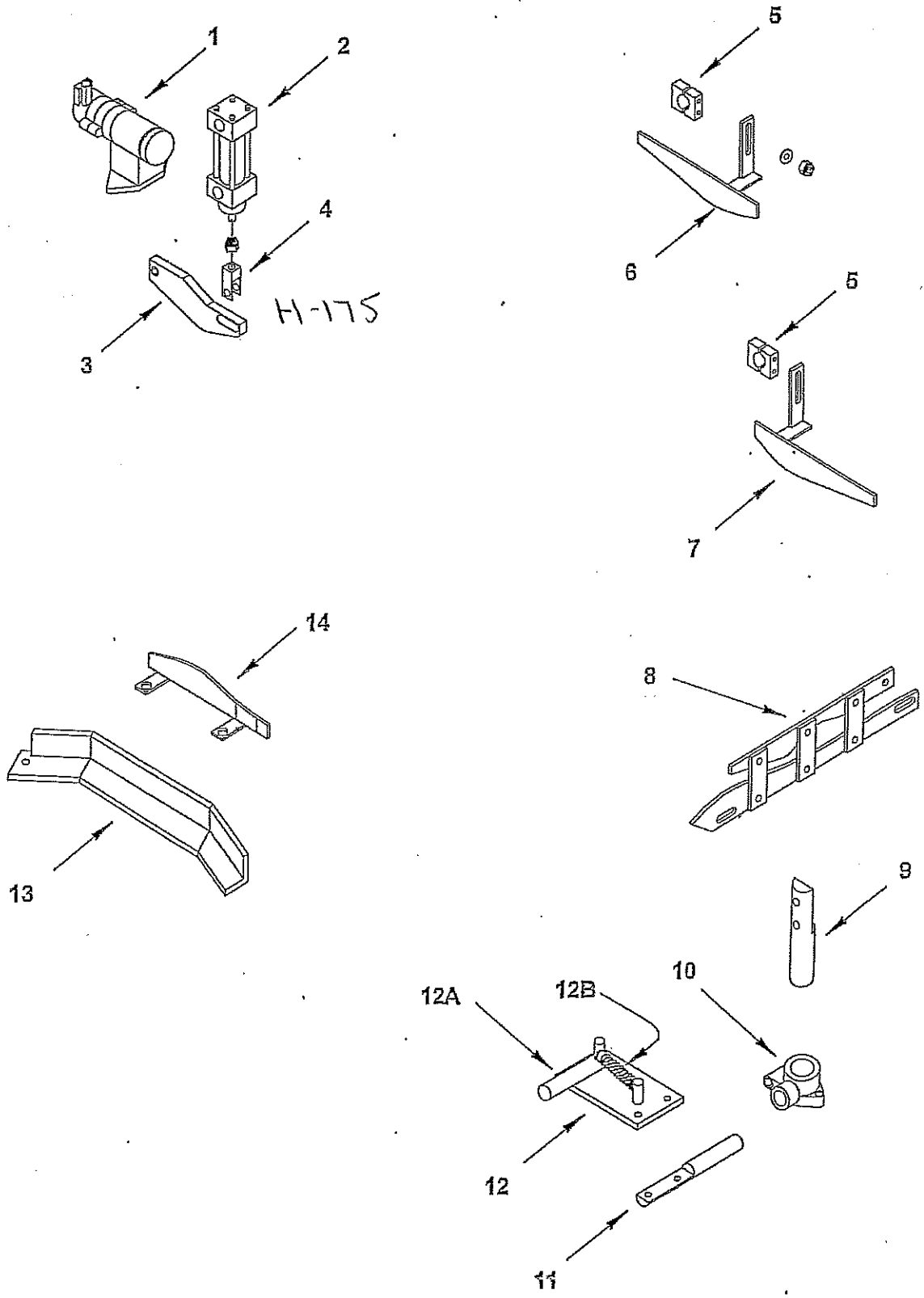
# FIXED POCKET WALL ASSEMBLY (LATE MODEL - 624/848/1372)



**FIXED POCKET WALL ASSEMBLY**  
(LATE MODEL - 624/848/1372)

<u>PART#</u>	<u>DESCRIPTION</u>
1. KMS 0100	LEVER, POCKET GRIPPER
2. KMS 1018	GRIPPER, POCKET
3. KMS 1021	SHAFT, GRIPPER
4. KMS 0101	COLLAR, STOP
5. KMS 0102	PIN, SEL LOCK
6. KMS 1045	LEVER, GRIPPER SHAFT
7. S502	SUCKER, LARGE
8. KMS 0103	HEAD, SUCKER
9. KMS 2071	END, ROD
10. KMS 2072	ROD, SPRING
11. KMS 2067	SPRING
12. KMS 2069	BOLT, HANGER
13. KMS 2006	SPRING, OUTSIDE JOG
14. KMS 0105	STUD, OUTSIDE POCKET
15. KMS 0106	TIE, POCKET
16. KMS 1083	ROLLER, JOGGER PADDLE
17. KMS 0107	RUBBER SPONGE
18. KMS 1020	PADDLE, OUTSIDE JOG
19. KMS 2070	PIN, JOGGER PIVOT
20. KMS 0108	WALL, FIXED POCKET
21. KMS 0177	COLLAR
22. KMS 1019	PADDLE, INSIDE JOG
23. H-110	NYLON LOCKNUT
24. KMS 0110	ASSEMBLY, POCKET TIE

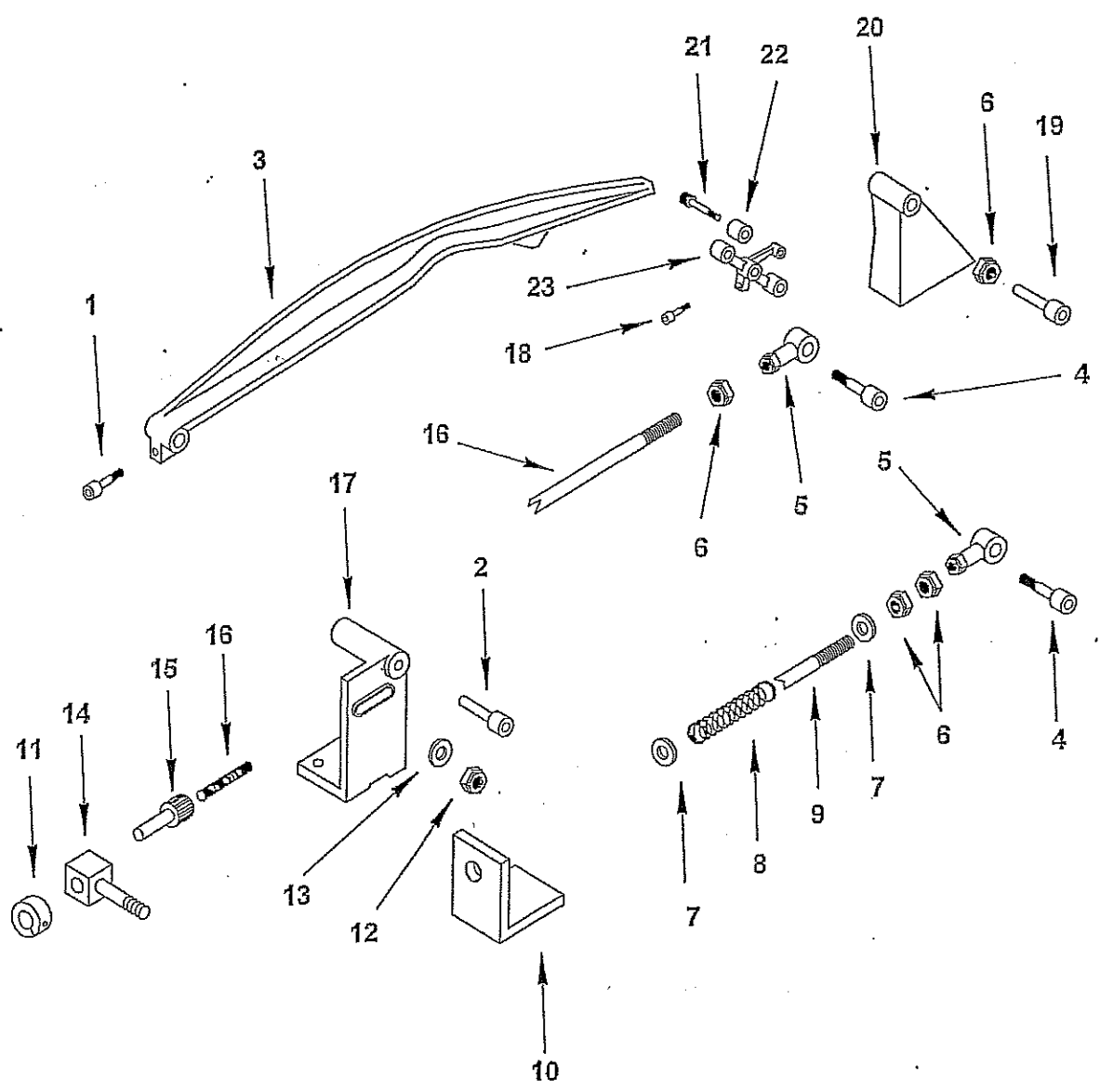
# 1372 ROTOR ASSEMBLY - POCKET COMPONENTS



## 1372 ROTOR ASSEMBLY-POCKET COMPONENTS

<u>PART#</u>	<u>DESCRIPTION</u>
1. KMS 3108	VALVE, BELLOWS
2. KMS 1027	VALVE, INHIBIT POCKET
3. KMS 0111	CAM, SILENCING
4. KMS 2801	CLEVIS
5. KMS 0112	CLAMP, CAM SUPPORT
6. KMS 0113	CAM, SECONDARY JOGGING
7. KMS 0114	CAM, PRE-DELIVERY JOGGING
8. KMS 2076	CAM, POCKET UNLOCKING
9. KMS 0115	ROD, TRIP SUPPORT
10. KMS 0116	KNUCKLE, CROSS
11. KMS 0117	ROD, TRIP SUPPORT
12. KMS 0118	PLATE, GRIPPER TRIP
12A. KMS 1058	ROD, GRIPPER TRIP
12B. KMS 0119	SPRING, GRIPPER TRIP
13. KMS 1085	CAM, OUTSIDE JOGGING
14. KMS 0120	CAM, PRIMARY DELIVERY

# ROTOR POCKET CLOSING CAM ASSEMBLY



## ROTOR POCKET CLOSING CAM ASSEMBLY

<u>PART#</u>	<u>DESCRIPTION</u>
1. H-114	SOCKET HEAD CAPSCREW
2. KMS 2200	STUD, PIVOT
3. KMS 2201	CAM, POCKET OPERATING
4. H-185	HEX HEAD CAPSCREW
5. KMS 2202	BEARING, ROD END
6. H-111	HEX JAM NUT
7. KMS 2203	FLAT WASHER
8. KMS 2204	SPRING, HELICAL
9. KMS 2205	ROD, SPRING
10. KMS 2206	BRACKET, SPRING STOP
10A. KMS 2207	BUSHING, FLANGED
11. KMS 5028	COLLAR, LOCKING
12. H-186	LOCKNUT
13. KMS 2208	FLAT WASHER
14. KMS 2209	BLOCK, SWIVEL
15. KMS 2210	BUSHING, RATCHET
16. KMS 2211	ROD, ADJUSTING
17. KMS 2212	BRACKET, PIVOT
17A. KMS 2213	BUSHING, BRONZE
18. H-187	SOCKET HEAD CAPSCREW
19. KMS 2214	STUD, ADJUSTING LEVER
20. KMS 2074	BRACKET, ADJUSTING LEVER
20A. KMS 2215	BUSHING, BRONZE
21. KMS 2216	STUD, CAM FOLLOWER
22. KMS 2217	FOLLOWER, CAM
23. KMS 2080	LEVER, ADJUSTING