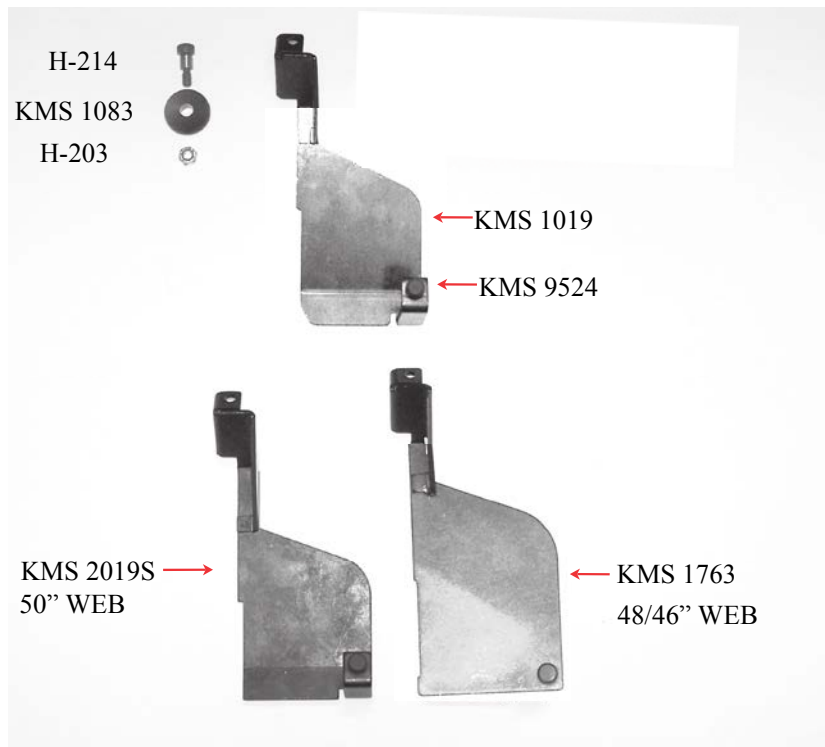


SECTION 2-2

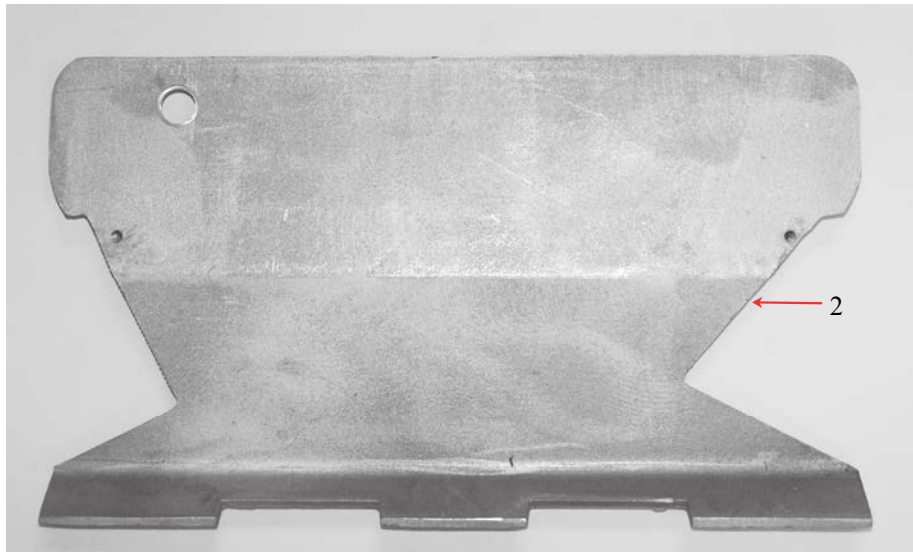
1372 INSERTER

BLANK PAGE

INSIDE JOGGING PADDLES



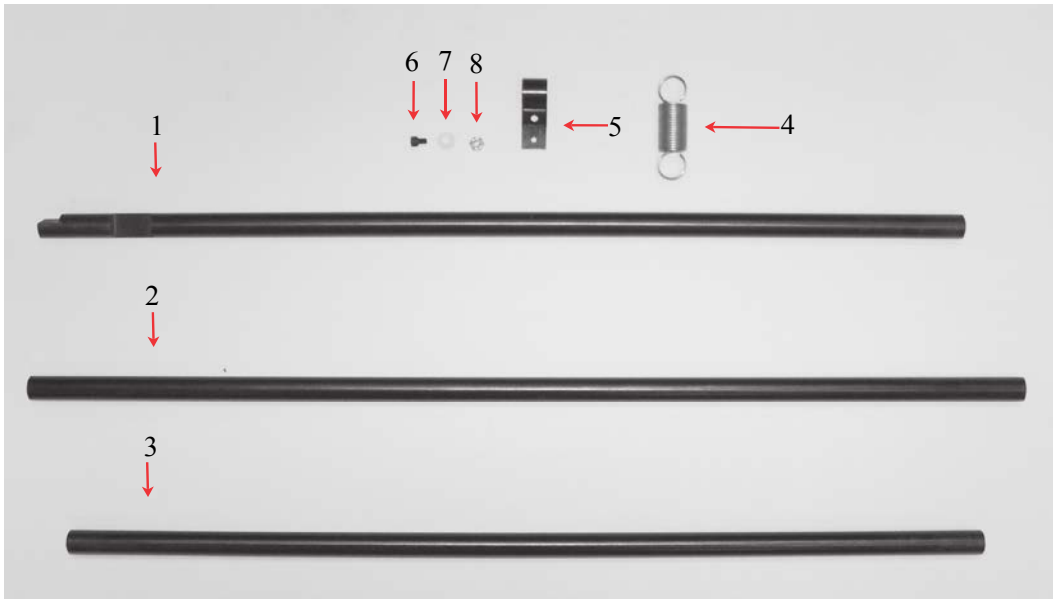
MOVABLE POCKET WALL



MOVABLE POCKET WALL

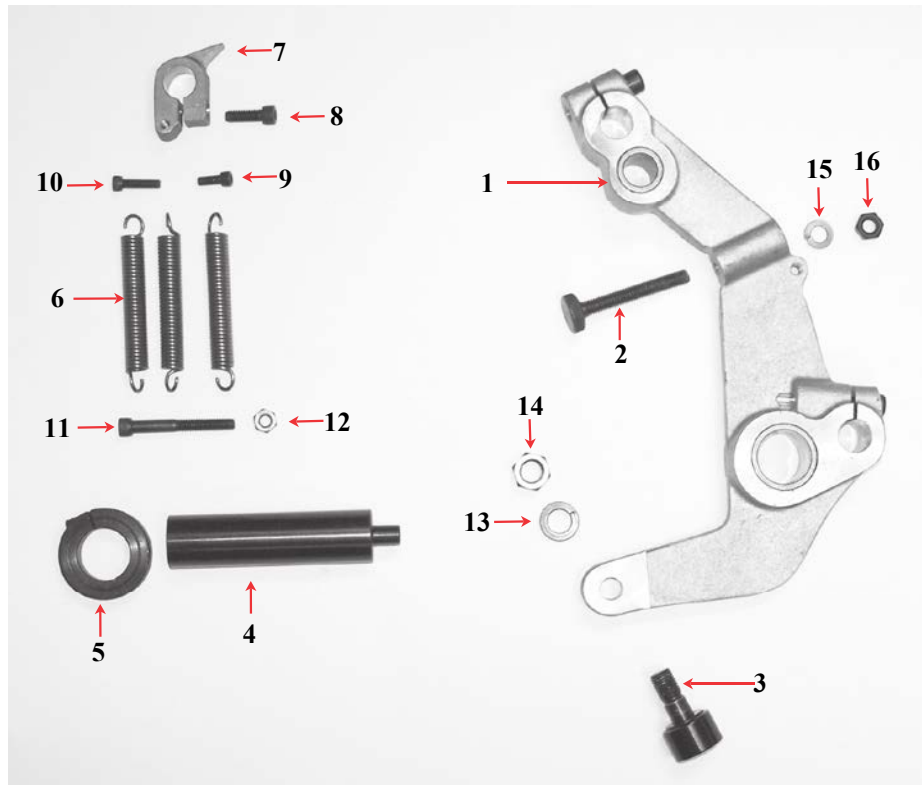
ITEM	PART #	DESCRIPTION	QUANTITY
1	KMS 1983	MOVABLE POCKET WALL 42/44"	1
2	KMS 1059AL	MOVABLE POCKET WALL	1
3	KMS 1059E	ELBOW	1
4	R-001	REFLECTIVE TAPE	1
5	R-001B	REFLECTIVE TAPE	1
6	KMS 2132	POCKET CLAMP BLOCK	2
7	H-250	SOCKET HD CAPSCREW	1
8	H-272	BUTTON HD CAPSCREW	1

MOVABLE POCKET WALL



ITEM	PART #	DESCRIPTION	QUANTITY
1	KMS 2133	MOVABLE POCKET SHAFT	1
2	KMS 2134	MOVABLE POCKET SHAFT	1
3	KMS 2152	MOVABLE POCKET SHAFT	1
4	KMS 2066	SPRING (POCKET RETURN)	1
5	KMS 2068	SPRING CLAMP	1
6	H-182	SOCKET HD CAPSCREW	1
7	H-275	FLAT WASHER	1
8	H-255	NYLON LOCKNUT	1
9	KMS 1096	PARALLEL LEVER	1
	INCLUDES		
	H-187	SOCKET HD CAPSCREW	2
	KMS 1096B	BUSHING	2
10	KMS 3114	SPRING	1
11	H-276	SOCKET HD CAPSCREW	1
12	H-277	JAM NUT	1

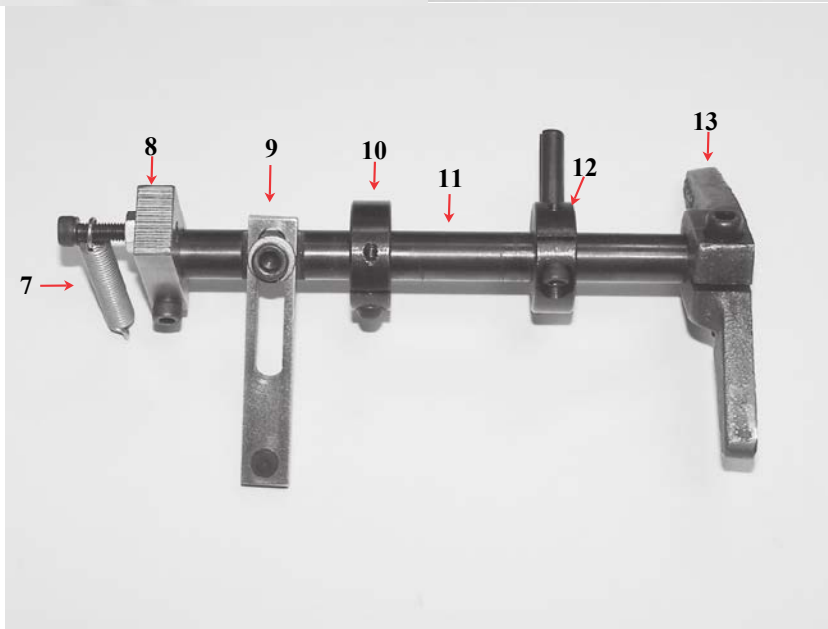
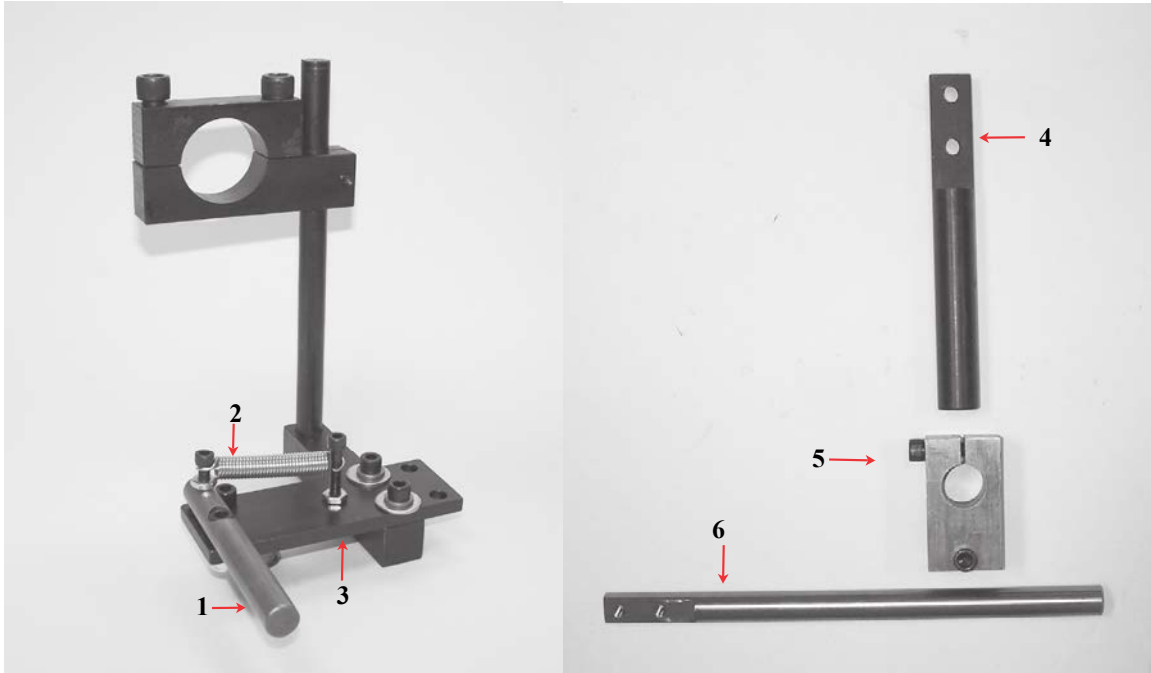
POCKETS



ITEM	PART #	DESCRIPTION	QUANTITY
1	KMS 1087	POCKET OPERATING LEVER	1
	INCLUDES		
	KMS 1087B	LARGE BUSHING	1
	KMS 1087SB	SMALL BUSHING	1
	H-165	SOCKET HD CAPSCREW	1
2	KMS 2130	ADJUSTING SCREW	1
3	KMS 1015	CAM FOLLOWER 1"	1
4	KMS 2131	POCKET INSIDE STUD	1
5	KMS 5028	COLLAR	1
6	KMS 2007	STOP LEVER SPRING	3
7	KMS 2129	STOP LEVER	1
8	H-190	SOCKET HD CAPSCREW	1
9	H-149	SOCKET HD CAPSCREW	1
10	H-155	SOCKET HD CAPSCREW	1
11	H-158	SOCKET HD CAPSCREW	1
12	H-220	JAM NUT	1
13	H-153	LOCK WASHER	1
14	H-152	JAM NUT	1
15	H-164	LOCK WASHER	1
16	H-278	FULL NUT	1

BLANK PAGE





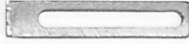






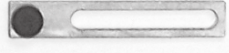

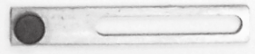
GRIPPER TRIP ASSEMBLY



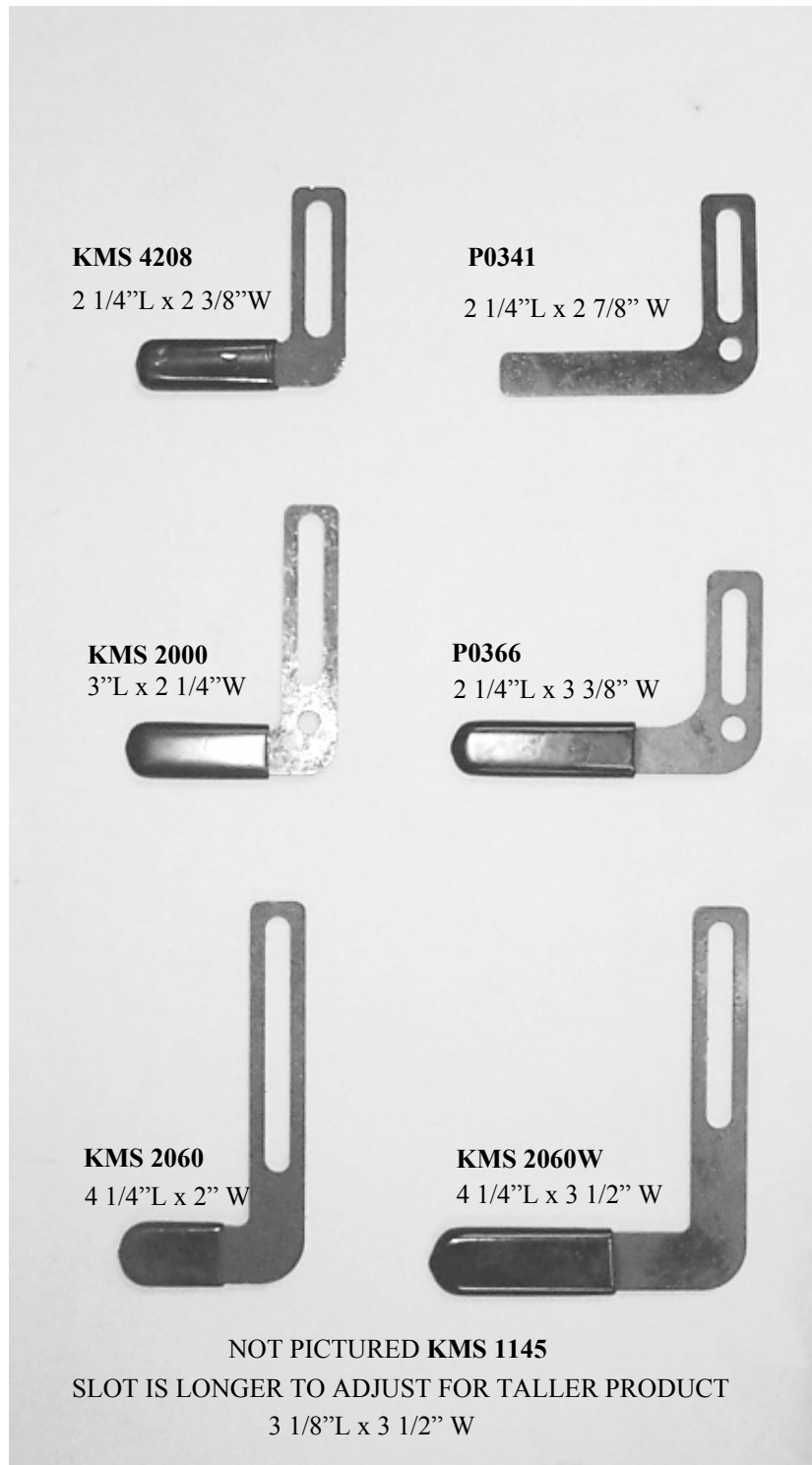
GRIPPER TRIP ASSEMBLY

ITEM	PART NUMBER	DESCRIPTION
1	KMS 1058	GRIPPER TRIP ROD
	KMS 1058R	GRIPPER TRIP ROD REVERSE
2	KMS 0119	SPRING
3	KMS 0118	GRIPPER TRIP PLATE
4	KMS 0115	TRIP SUPPORT ROD
5	KMS 0116	CROSS KNUCKLE
6	KMS 0117	TRIP SUPPORT ROD
7	KMS 3118T	SPRING
8	KMS 1045	GRIPPER SHAFT LEVER
9	KMS 0188-2	LAP GRIPPER 2"
10	KMS 5807	COLLAR
11		SHAFT
12	KMS 0101	STOP COLLAR
13	KMS 0100	POCKET GRIPPER LEVER

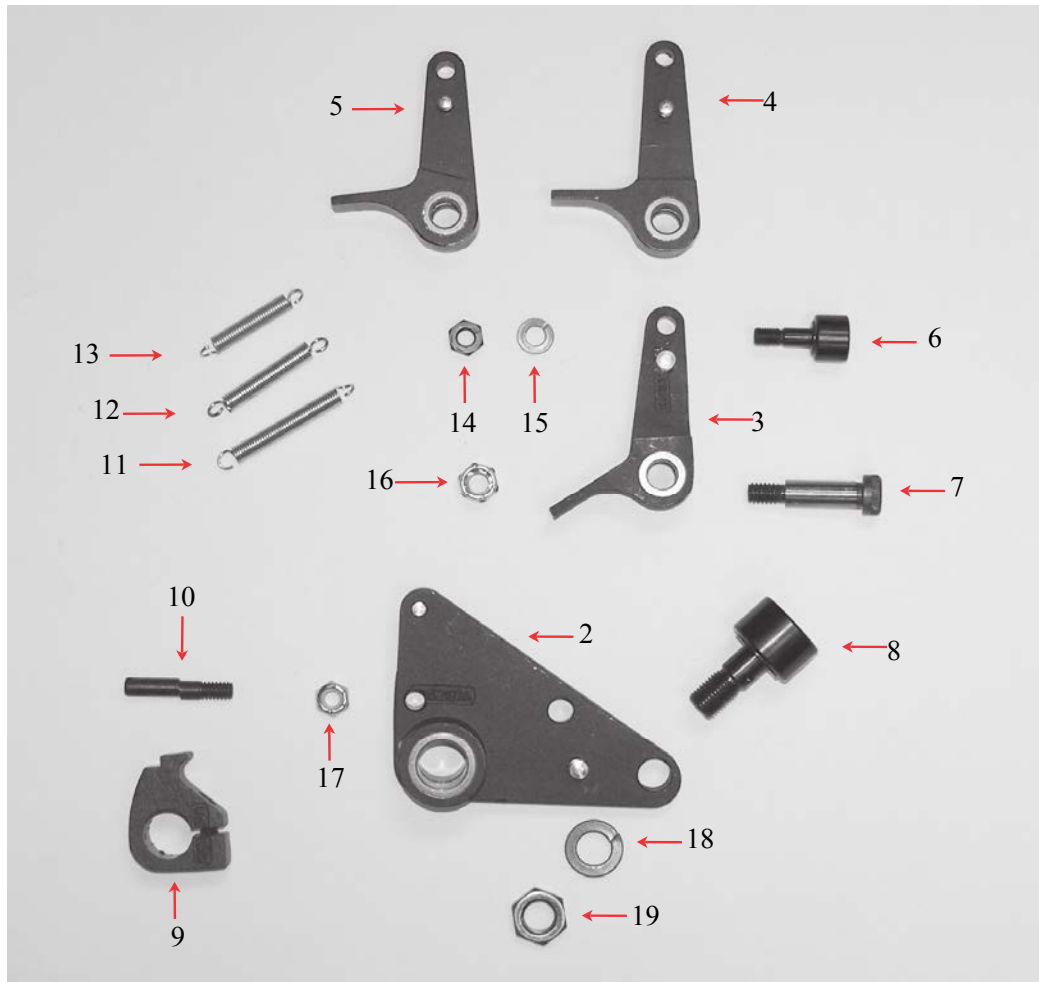
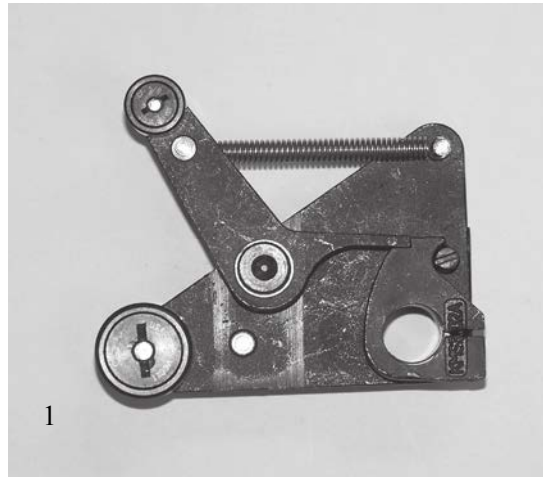
CENTER POCKET GRIPPERS

KMS 1089 3.1" LONG STRAIGHT		KMS 1089S 2.4" LONG STRAIGHT			KMS 0189CP CAT PAW NO TOES
KMS 1018 3" LONG CURVED					KMS 0188CP CAT PAW TOES
KMS 1018XL 3.9" LONG CURVED					KMS 0188-2 2" L x .5"W
KMS 1018T 3" LONG CURVED					KMS 0188-2.5 2.5" L x .5"W
					KMS 0188-2.5W 2.5" L x .625"W
					KMS 0188-2-3/4 2.75" L x .5"W
					KMS 0188-3 3" L x .5"W
		KMS 9524 BUMPER			KMS 0188-3-1/4 3.75" L x .5"W

OUTER POCKET GRIPPERS



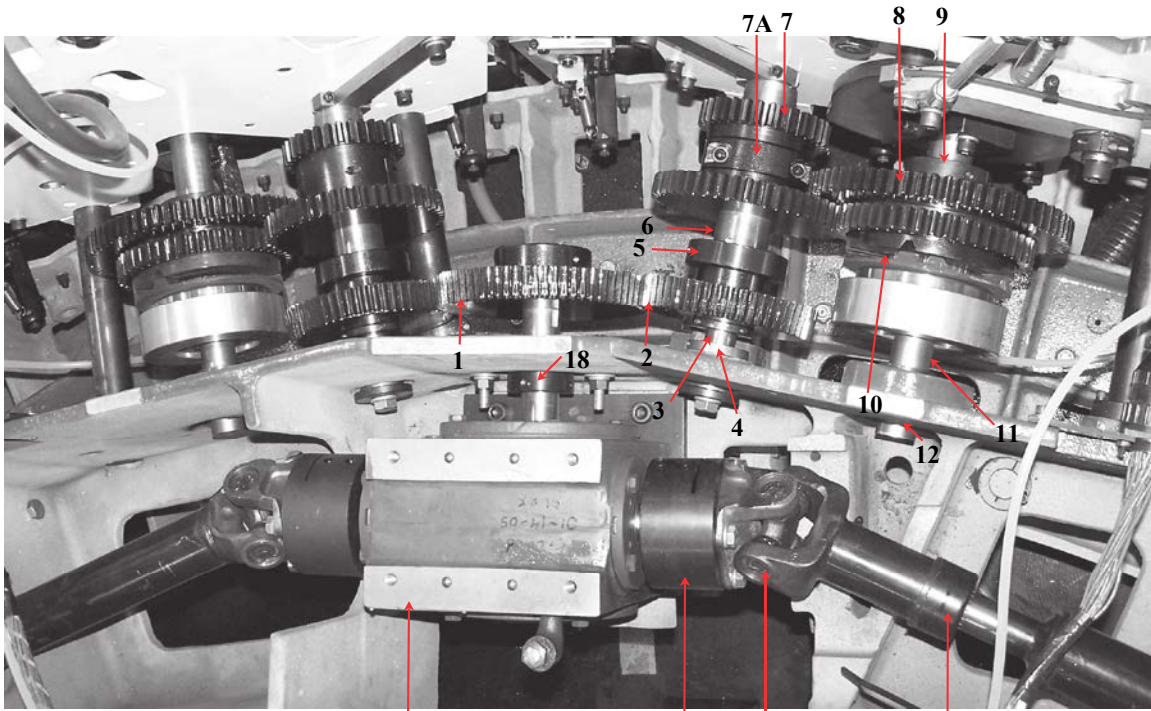
POCKET INHIBIT LATCH ASSY (ARS)



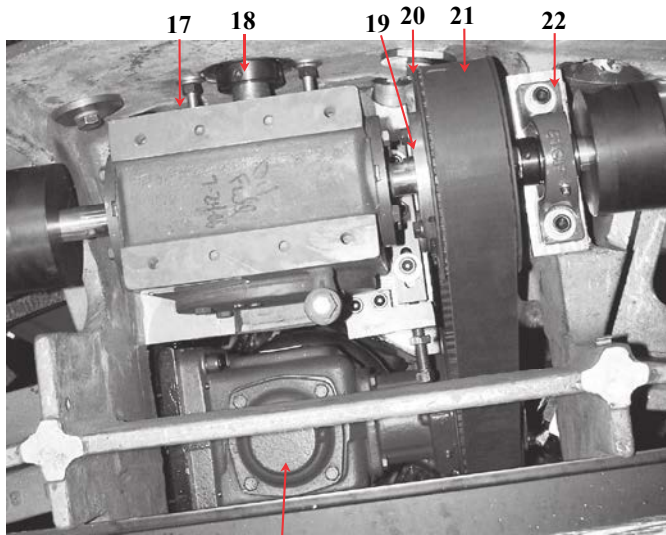
ARS ASSEMBLY

ITEM	PART #	DESCRIPTION	QUANTITY
1	KMS 3111	POCKET INHIBIT LATCH ASSY	1
2	KMS 3107	POCKET OPERATING LEVER	1
	INCLUDES		
	KMS 3112	BUSHING	2
	KMS 9736	PIN	1
	KMS 3103P	PIN	1
3	KMS 3103	SILENCING LEVER	1
	INCLUDES		
	KMS 3113	BUSHING	2
	KMS 3103P	PIN	1
4	KMS 3103B	SILENCING LEVER	1
	INCLUDES		
	KMS 3113	BUSHING	2
	KMS 9736	PIN	1
5	KMS 3103A	SILENCING LEVER	1
	INCLUDES		
	KMS 3113	BUSHING	2
	KMS 9736	PIN	1
6	KMS 2020	5/8" CAM FOLLOWER	1
7	H-198	SHOULDER BOLT	1
8	KMS 1015	1" CAM FOLLOWER	1
9	KMS 3102	SILENCING LOCK	1
10	KMS 3101	ECCENTRIC STOP	1
11	KMS 3115	SPRING 2"	1
	KMS 3118	SPRING 2" HEAVY DUTY	1
12	KMS 3115A	SPRING 1.75"	1
13	KMS 3115B	SPRING 1.5"	1
14	H-279	FULL NUT	1
15	H-120	LOCK WASHER	1
16	H-110	NYLON LOCKNUT	1
17	H-249	NYLON LOCKNUT	1
18	H-153	LOCK WASHER	1
19	H-152	JAM NUT	1

DRIVE



13 14 15 16

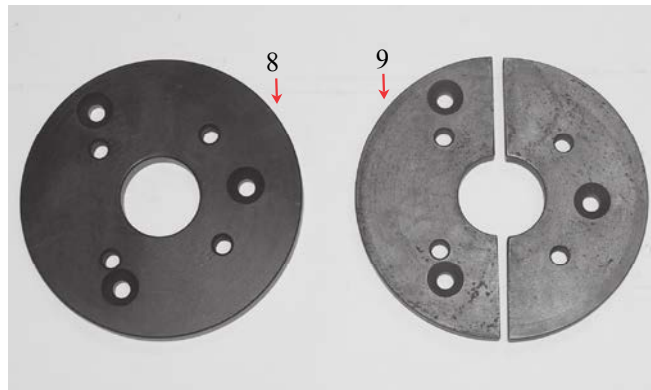
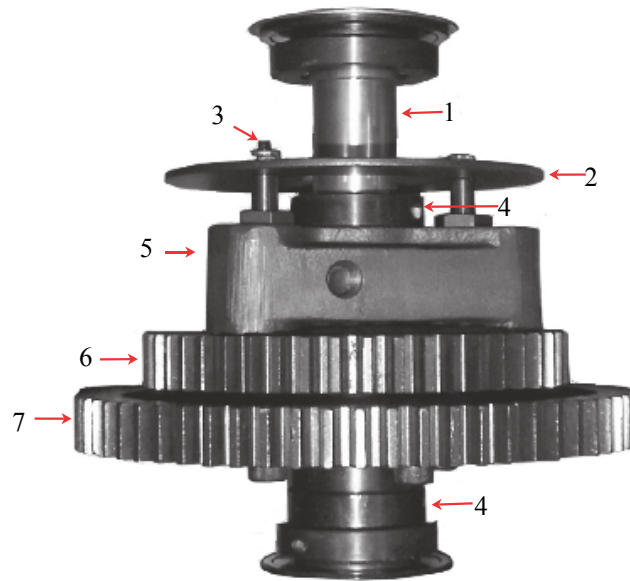


23

DRIVE

ITEM	PART NUMBER	DESCRIPTION	QUANTITY
1	KMS 4002	DRIVE GEAR	7
2	KMS 4001	DRIVEN GEAR	13
3	KMS 4024	CHANGE GEAR SHAFT	13
		SEE FOLLOWING PAGE FOR MORE INFO	
4	KMS 4061	GEAR WASHER	13
5	KMS 4023	LOCKING COLLAR	13
6	KMS 4022	CHANGE GEAR SLEEVE	13
7	KMS 4003	CLUSTER GEAR	13
7A	KMS 4056	CLAMPING BLOCK	13
8	HC 4001	AIR CLUTCH GEAR	13
9	HC 4002	AIR CLUTCH COLLAR	13
10	HC 4000C	HOPPER AIR CLUTCH	13
11	KMS 6107	CLUTCH SHAFT	13
**	HC 4000	AIR CLUTCH KIT (includes 8-11)	
		SEE FOLLOWING PAGE FOR MECHANICAL CLUTCH	
12	KMS 0099	UPPER HOUSING BEARING	13
13	KMS 4019	HOPPER DRIVE GEARBOX	6
14	KMS 4015	FLANGED COMPANION-O.D. 3.5"	14
	KMS 4046	FLANGED COMPANION-O.D. 3.9"	14
		UNIVERSAL JOINT-SMALL	
15	KMS 4013UJ	FLANGE	14
		UNIVERSAL JOINT-LARGE	
	KMS 4047UJ	FLANGE	14
16		DRIVE SHAFT ASSEMBLIES	
	KMS 4013	14" LONG SMALL FLANGE-O.D. 3.5"	
	KMS 4047	14" LONG LARGE FLANGE-O.D. 3.9"	
	KMS 4014	30" LONG SMALL FLANGE	
	KMS 4045	30" LONG LARGE FLANGE	
		HOPPER DRIVE GEARBOX A	
17	KMS 4018	HEAD	1
18	KMS 4063	FLANGED BEARING	7
19	KMS 4064	TAPERLOCK BUSHING	2
20	KMS 4065	TIMING BELT SPROCKET	2
21	KMS 4158 or 4159	TIMING BELT (need # off belt)	1
22	KMS 4066	PILLOW BLOCK BEARING	1
23	KMS 4017	MORSE MITER GEARBOX	1
		<u>NOT PICTURED</u>	
	KMS 7502	BELT TENSIONER PULLEY	
	KMS 7502A	THRUST WASHER	
	KMS 7502B	BELT TENSIONER ARM	

CLUTCH ASSEMBLY

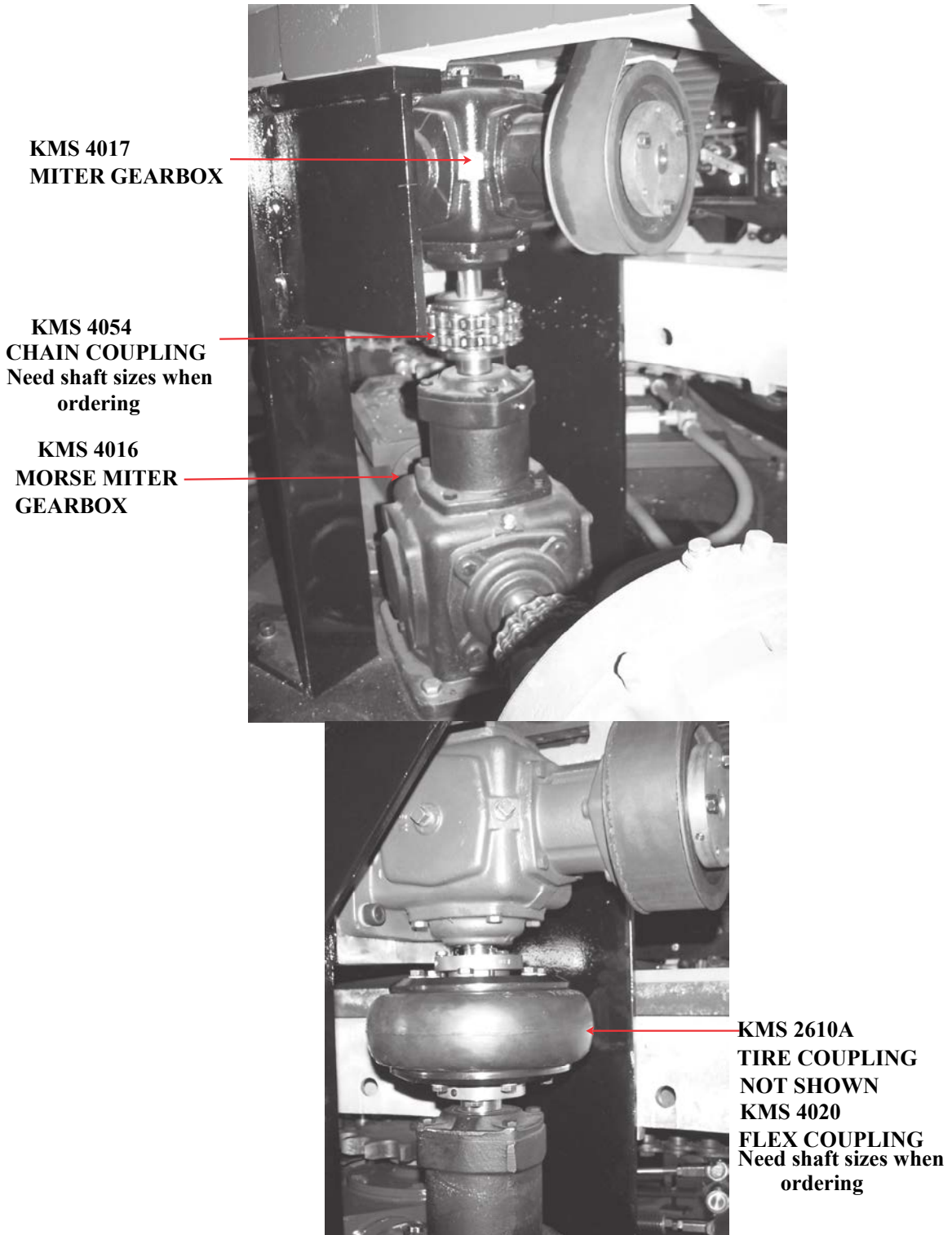


ITEM	PART #	DESCRIPTION	QTY
	KMS 4052	CLUTCH ASSY COMPLETE	1
1	KMS 6107	CLUTCH SHAFT (1 1/4")	1
		CLUTCH SHAFT (1 3/8")	1
2	KMS 4039	DISC SWITCH	1
3	KMS 4005	CLUTCH PLUNGER	3
	KMS 4006	PLUNGER SPRING	3
	KMS 4004	ADJUSTING NUT	3
	KMS 4010	LOCK NUT	3
4	KMS 4009	COLLAR (1 1/4")	2
	KMS 2089	COLLAR (1 3/8")	2
5	KMS 4012	CLUTCH BODY (1 1/4")	1
	KMS 4012A	CLUTCH BODY (1 3/8")	1
6	KMS 4008	HOPPER FULL SPEED GEAR (1 1/4")	1
	KMS 4008A	HOPPER FULL SPEED GEAR (1 3/8")	1
7	KMS 4007	HOPPER HALF SPEED GEAR	1
8	KMS 4040	CLUTCH WEAR PLATE	1
9	KMS 4040S	CLUTCH WEAR PLATE SPLIT	1

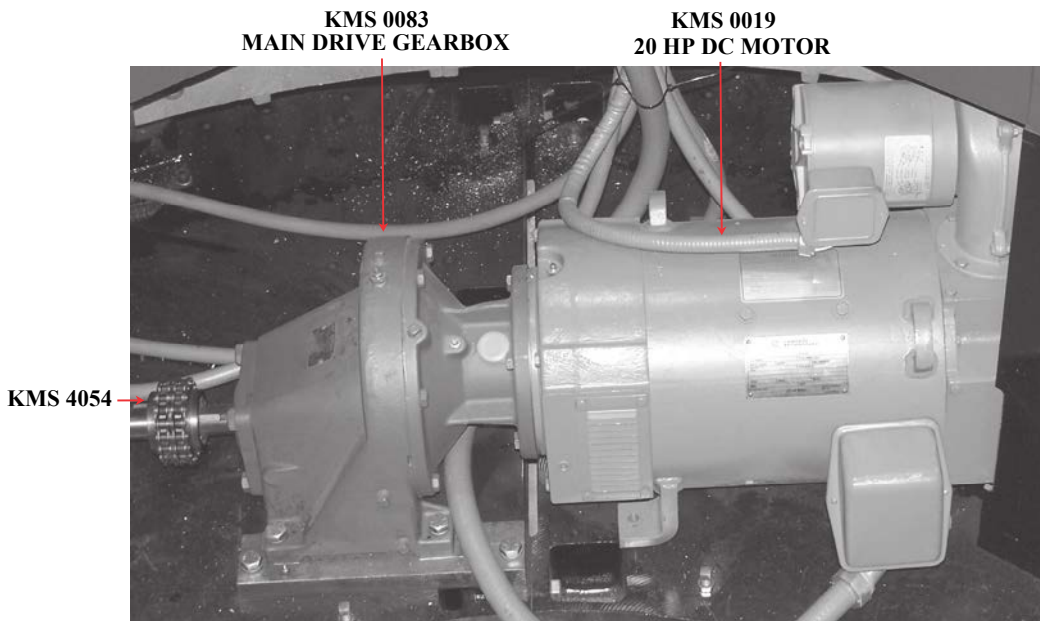
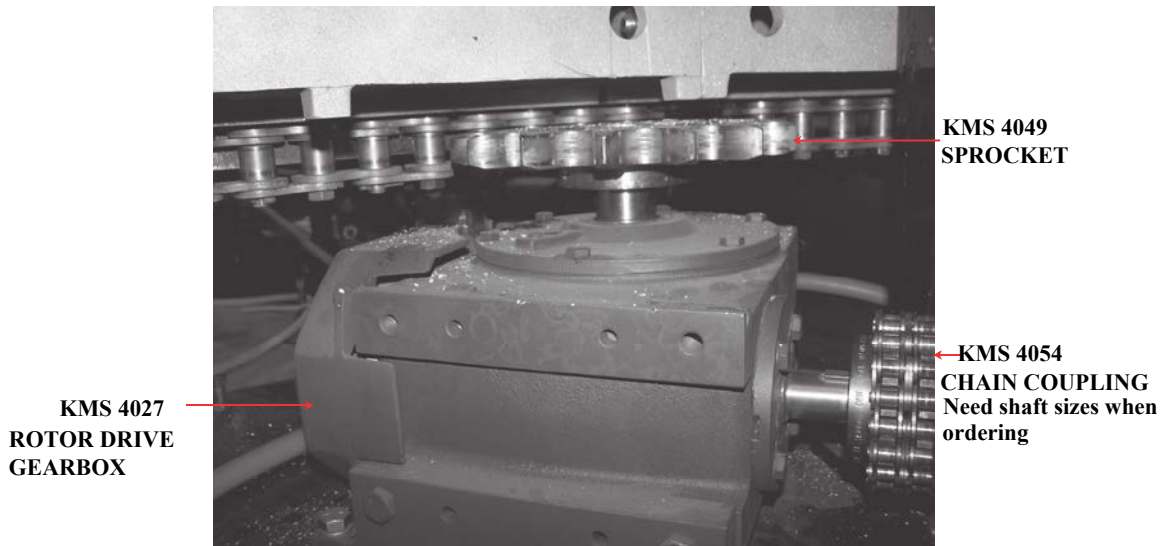
CHANGE GEAR SHAFTS



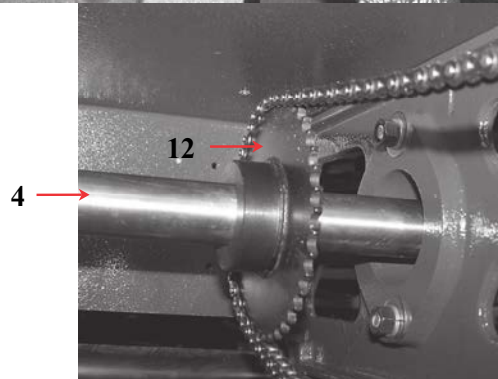
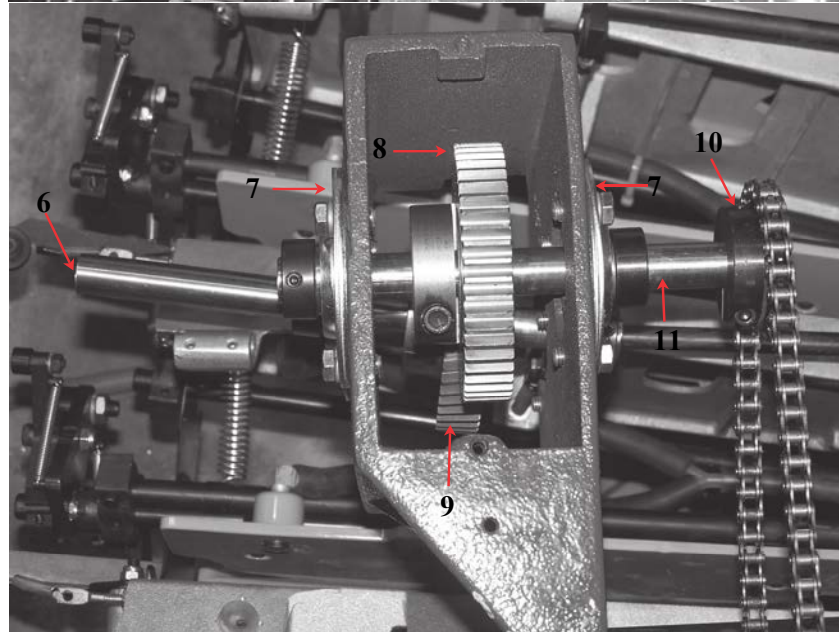
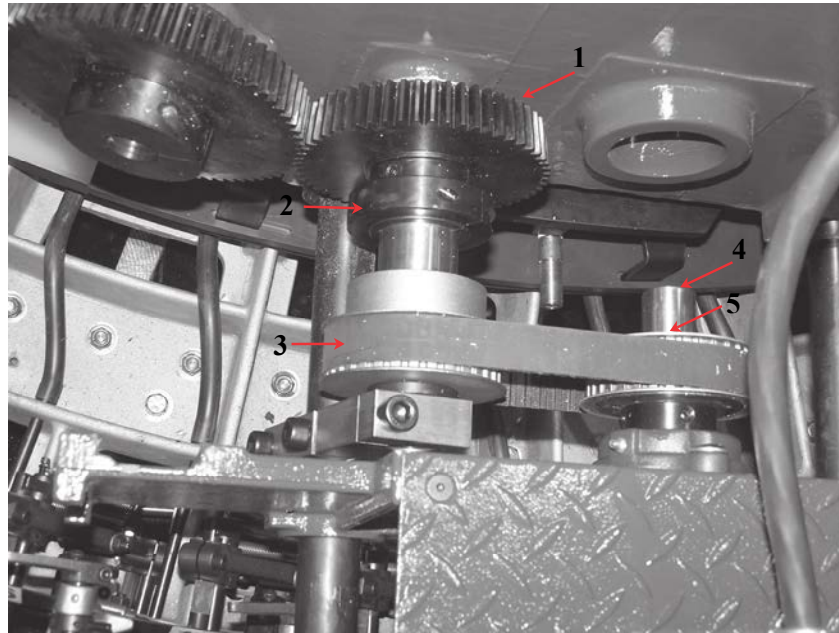
DRIVE



DRIVE

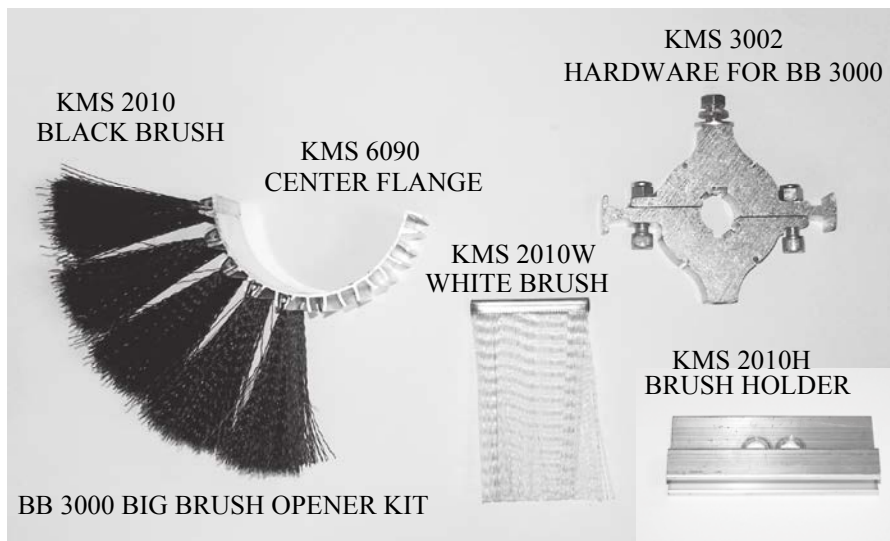


OPENER STATION

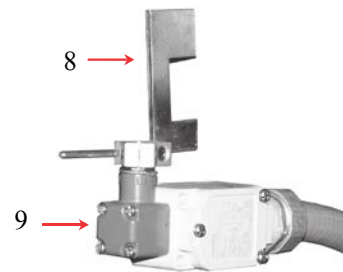
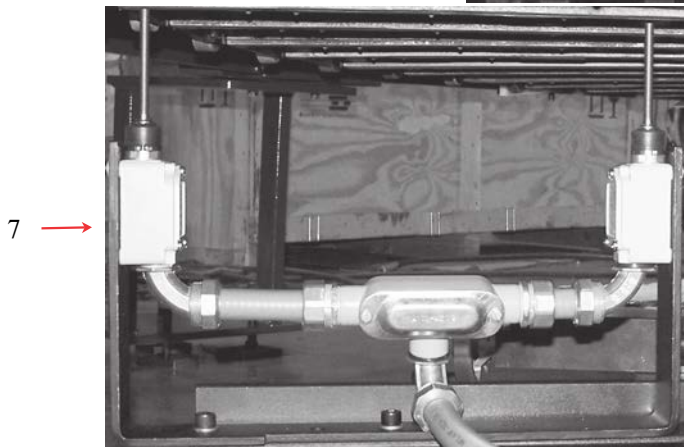
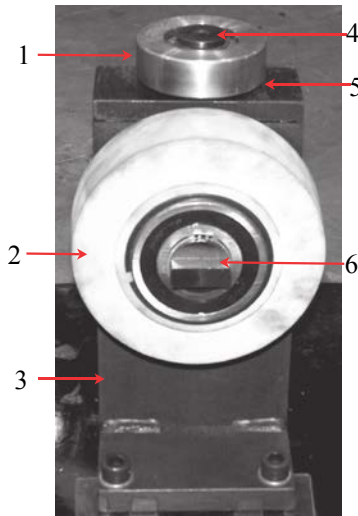


OPENER STATION

ITEM	PART NUMBER	DESCRIPTION
1	KMS 4001	DRIVEN GEAR
2	WPA-0115	WIPER GEAR ASSY
3	WPA-0117	WIPER BELT
4	WPA-0103	SHAFT, 1.25" X 21"
5	WPA-0107	TIMING PULLEY
6	WPA-0101	SHAFT, 3/4" X 10.5"
7	WPA-0100	3/4" FLANGE BEARING
8	WPA-0110	STRAIGHT GEAR
9	WPA-0109	HELICAL GEAR
10	WPA-0105	DRIVEN SPROCKET
11	WPA-0102	SHAFT 3/4" X 8"
12	WPA-0104	DRIVE SPROCKET
not pictured	WPA-0106	IDLER SPROCKET



UNDER ROTOR



ITEM	PART #	DESCRIPTION
1	KMS 2004	HORIZONTAL GUIDE ROLLER
	INCLUDES:	
	KMS 2004B	BEARING
	KMS 2004R	RETAINING RING
2	KMS 2005	VERTICAL SUPPORT ROLLER
	INCLUDES:	
	KMS 2005B	BEARING
	KMS 2005R	RETAINING RING
3	KMS 2139	ROTOR SUPPORT
4	KMS 2073	ECCENTRIC STUD
5	KMS 2138	ROLLER SPACER
6	KMS 2140	ECCENTRIC STUD
7	ET 151	DRAG SWITCH
8	ET 105F	FLAG
9	ET 150	FLAG SWITCH

