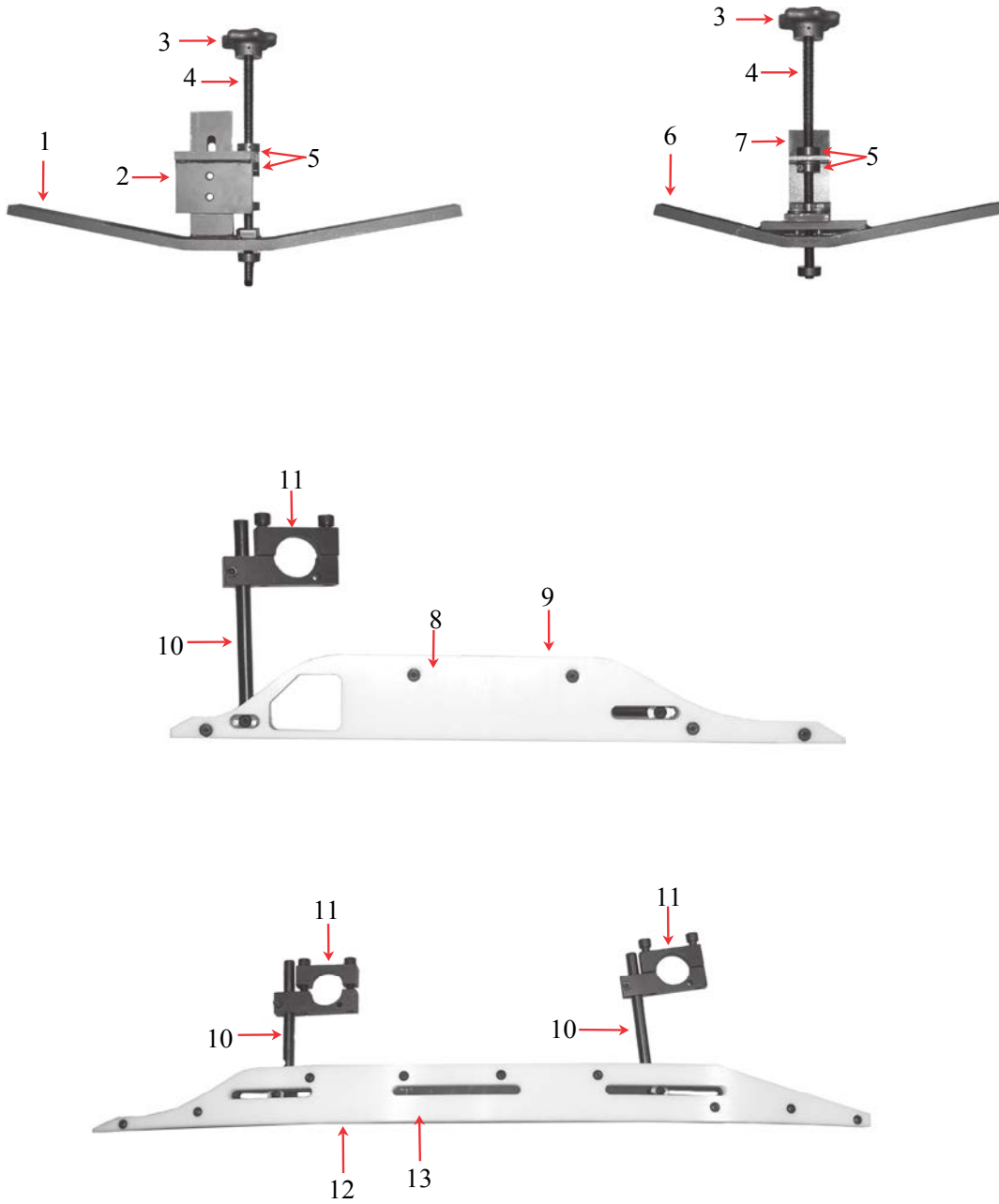


1472 ROTOR

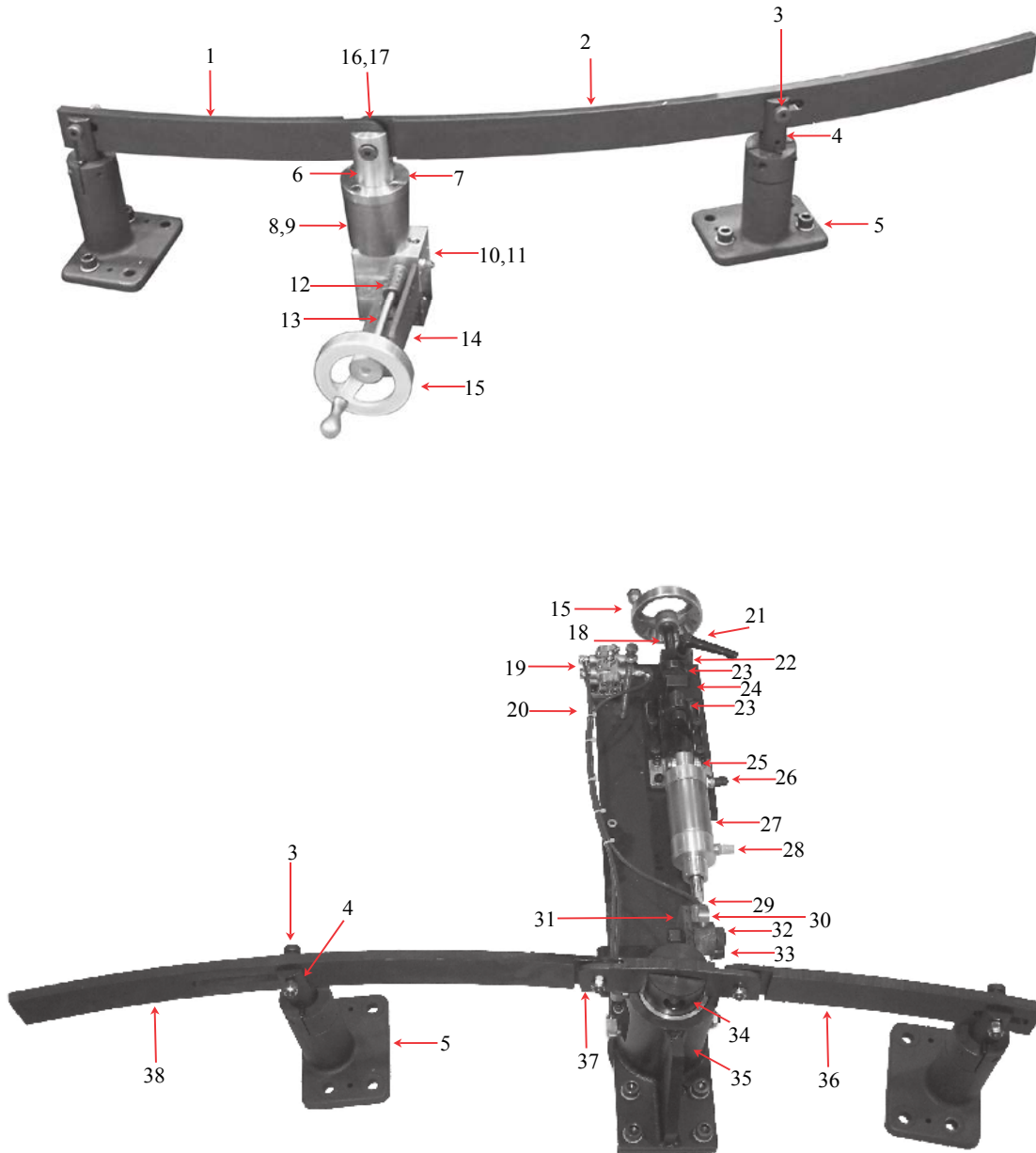
CAMS AT THE OPENER



CAMS AT THE OPENER

ITEM	PART #	DESCRIPTION	QUANTITY
1	KMS 6189	OPENER JOGGING CAM	1
2	KMS 6190	OPENER JOGGING CAM BRACKET	1
3	KMS 0883	HAND KNOB	2
4	KMS 6191	THREADED ROD	2
5	KMS 0884	THREADED COLLAR	4
6	KMS 6192	OUTSIDE JOGGING CAM	1
7	KMS 6193	JOGGING CAM BRACKET	1
8	KMS 6109	OUTER GRIPPER OPENER CAM PAD	1
9	KMS 2802	OUTER GRIPPER OPENER CAM	1
10	KMS 6196	GRIPPER CAM SUPPORT SHAFT	3
11	KMS 6195	TRIP SUPPORT CLAMP	3
12	KMS 6194	INNER GRIPPER OPENER CAM	1
13	KMS 6108	INNER GRIPPER OPENER CAM PAD	1

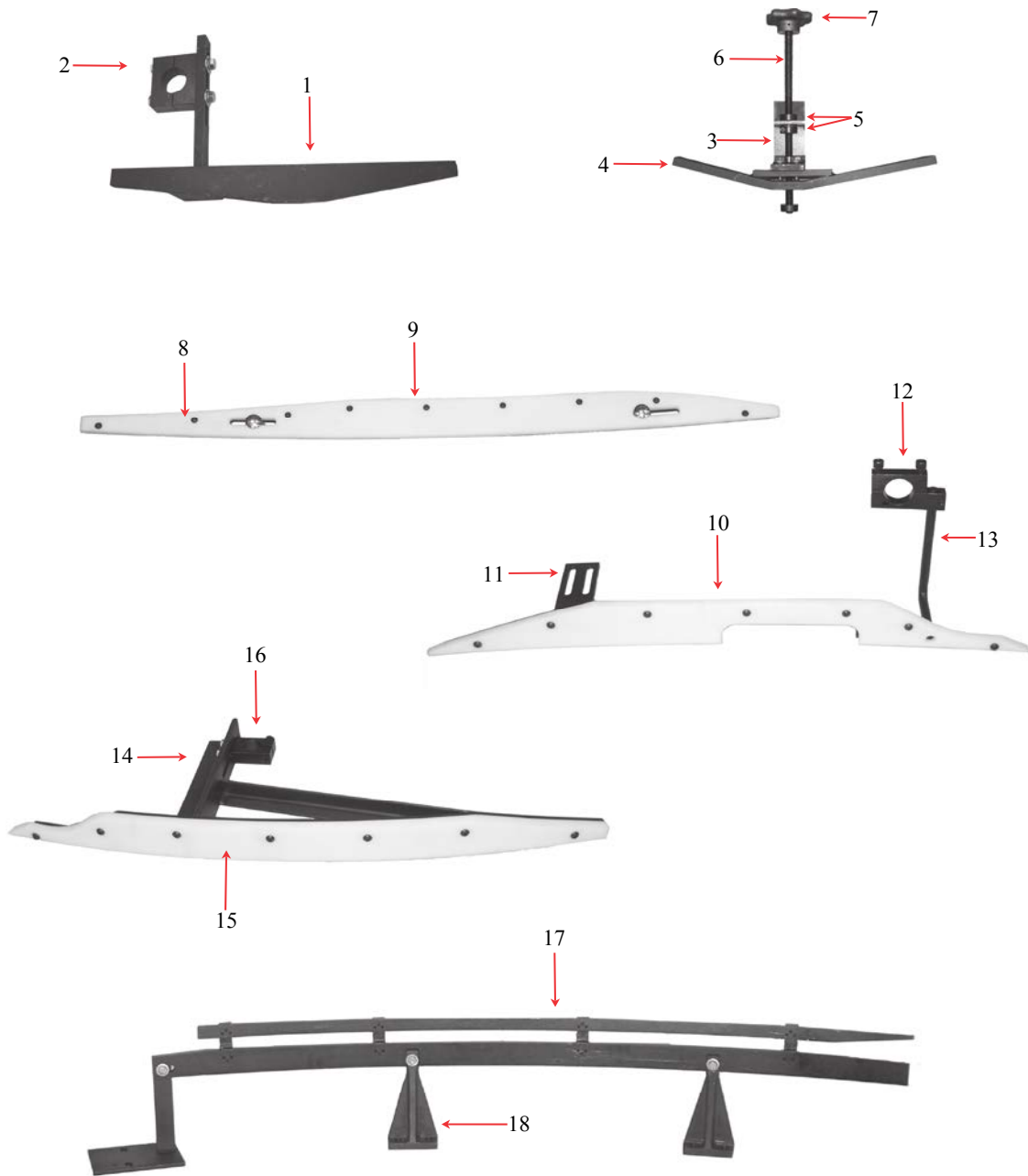
CAMS AT THE OPENER



CAMS AT THE OPENER

ITEM	PART #	DESCRIPTION	QTY
1	KMS 9017	POCKET OPERATING CAM (SHORT)	1
2	KMS 9016	POCKET OPERATING CAM (LONG)	1
3	KMS 9000	PIN	3
4	KMS 9001	CAM SUPPORT SHAFT	2
5	KMS 9002	CAM SUPPORT BRACKET	2
6	KMS 9008	CAM LIFT SHAFT	1
7	KMS 9009	RETAINING CAP	1
8	KMS 9007	SPRING RETAINING CUP	1
9	KMS 9006	SPRING	1
10	KMS 9004	GEARBOX (W/KMS 9005 Threaded rod)	1
11	KMS 9003	BUSHING CUP (under gearbox)	1
12	KMS 9011	SHAFT COUPLNG	1
13	KMS 9013	ROD	1
14	KMS 9012	ADJUST BRACKET	1
15	KMS 9014	HANDWHEEL	1
16	KMS 9018	SPACER	2
17	KMS 9019	WASHER	2
18		ADJUST SCREW	1
19		LUBE BLOCK ASSY	1
20	ET 172	GREASE LINE	
21	ET 176	HANDLE-CUT DOWN	1
22		ADJUSTMENT SCREW BRACKET	1
23		CLAMP COLLAR	2
24		CYLINDER ADJUST BRACKET	1
25		CYLINDER PIVOT BRACKET	1
26		1/4 NPT QUICK DISCONNECT	1
27	KMS 3129	AIR CYLINDER	1
28		1/4 NPT BREATHER	1
29		ROD END	1
30	KMS 0041	GREASE FITTING	2
31	KMS 6074	LEVER MOUNTING BRACKET	1
32	KMS 6073	CAM LIFT LEVER	1
33	KMS 1015	1" CAM FOLLOWER	1
34	KMS 6071	CAM SUPPORT SHAFT	1
35		GUIDE BRACKET	1
36	KMS 6170	POCKET OPER CAM 3 PC. (SHORT)	1
37	KMS 6169	POCKET OPER CAM 3 PC. (DWELL)	1
38	KMS 6168	POCKET OPER CAM 3 PC. (LONG)	1

CAMS AT THE DELIVERY



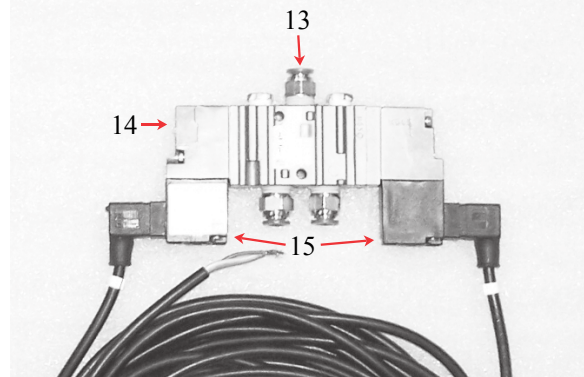
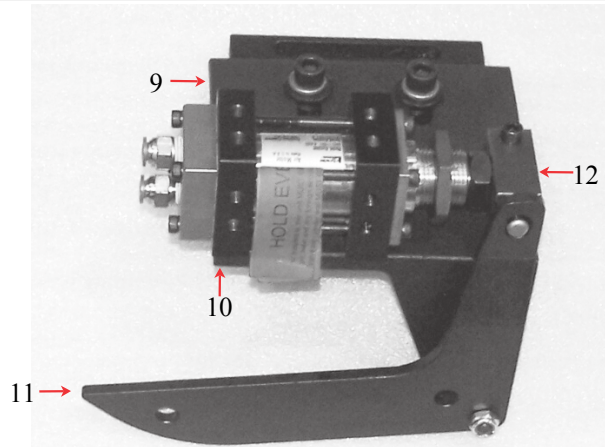
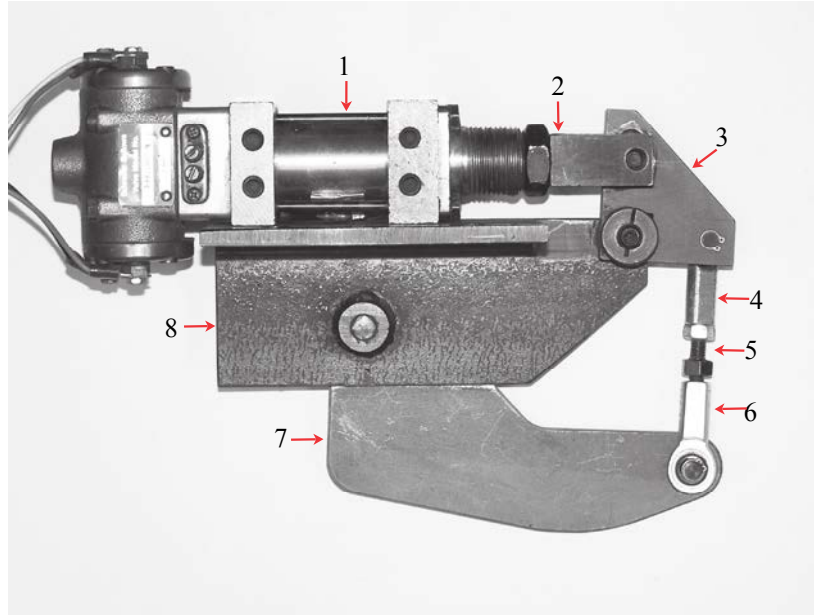
CAMS AT THE DELIVERY

ITEM	PART #	DESCRIPTION	QTY
1	KMS 0114	PREDELIVERY JOGGING CAM	
2	KMS 0112	CAM SUPPORT CLAMP	1
3	KMS 6193	JOGGER CAM BRACKET	1
4	KMS 6192	OUTSIDE JOGGING CAM	1
5	KMS 0884	THREADED COLLAR	1
6	KMS 6191	TREADED ROD	1
7	KMS 0883	HAND KNOB	1
8	KMS 6110	DELIVERY CAM PAD	1
9	KMS 6182	DELIVERY CAM	1
10	KMS 6112	OUTSIDE GRIPPER DELIVERY CAM PAD	1
11	KMS 9015	OUTSIDE GRIPPER DELIVERY CAM	1
12	KMS 6195	TRIP SUPPORT CLAMP	1
13	KMS 6196	GRIPPER CAM SUPPORT SHAFT	1
14	KMS 6180	INNER GRIPPER DELIVERY CAM	1
15	KMS 6111	INNER GRIPPER DELIVERY CAM PAD	1
16	KMS 6181	CAM MOUNTING CLAMP	1
17	KMS 6113	BOX CAM ASSY	1
18	KMS 6083	CAM BRACKET	2

ALSO AVAILABLE

KMS 0114P	PLASTIC JOGGING CAM
-----------	---------------------

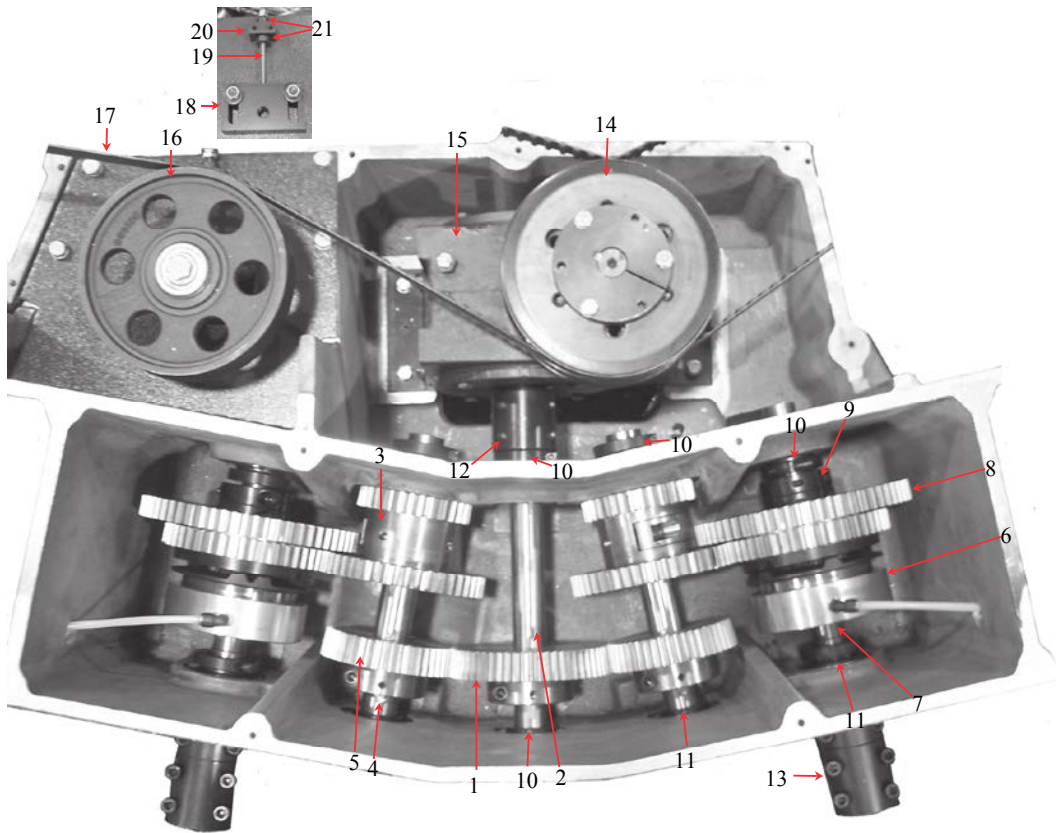
CAMS AT THE DELIVERY



CAMS AT THE DELIVERY

ITEM	PART #	DESCRIPTION	QTY
1	KMS 3117	AIR MOTOR	1
2	KMS 9279	CLEVIS BLOCK	1
3	KMS 9280	PIVOT PLATE	1
4	KMS 9281	RH ROD END	1
5	KMS 9283	ADJUSTING ROD	1
6	KMS 9282	LH ROD END	1
7	KMS 9284	INHIBIT CAM	1
8	KMS 9286	CYLINDER ARS MOUNT	1
9	KMS 3504	CYLINDER MOUNT	1
10	KMS 3117N	AIR MOTOR	1
11	KMS 3506	DELIVERY INHIBIT CAM	1
12	KMS 3501	CYLINDER BLOCK	1
	KMS 3510	DELIVERY INHIBIT ASSY	
	INCLUDES 9 THRU 12 ASSEMBLED		
	NOT SHOWN		
	KMS 3511	T-NUT	
	KMS 3505	SHIM	
13	AF-0025	AIR FITTING	5
14	KMS 1515	MAC VALVE	1
15	KMS 1674	CORD SET	1
	KMS 3117K	AIR MOTOR KIT (UPGRADE FROM KMS 3117)	
	INCLUDES 10,13,14, & 15		
	KMS 3512	SHOULDER SCREW (FOR KMS 3506)	

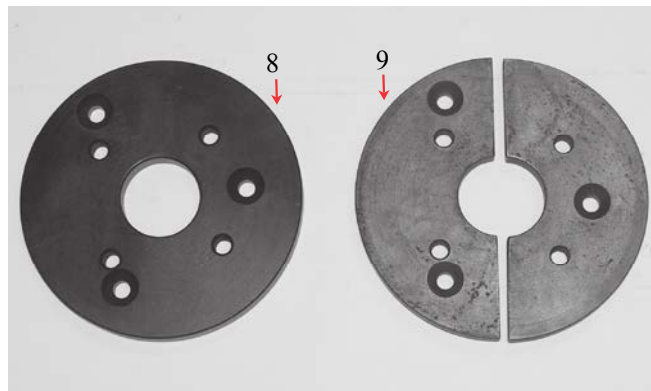
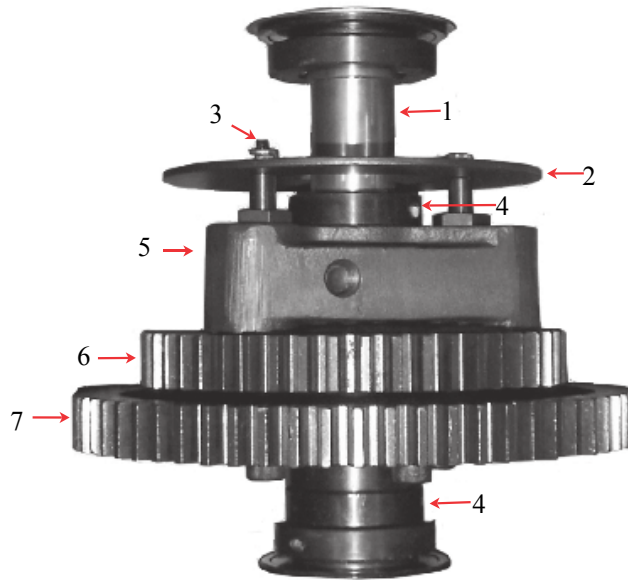
HOPPER DRIVE



HOPPER DRIVE

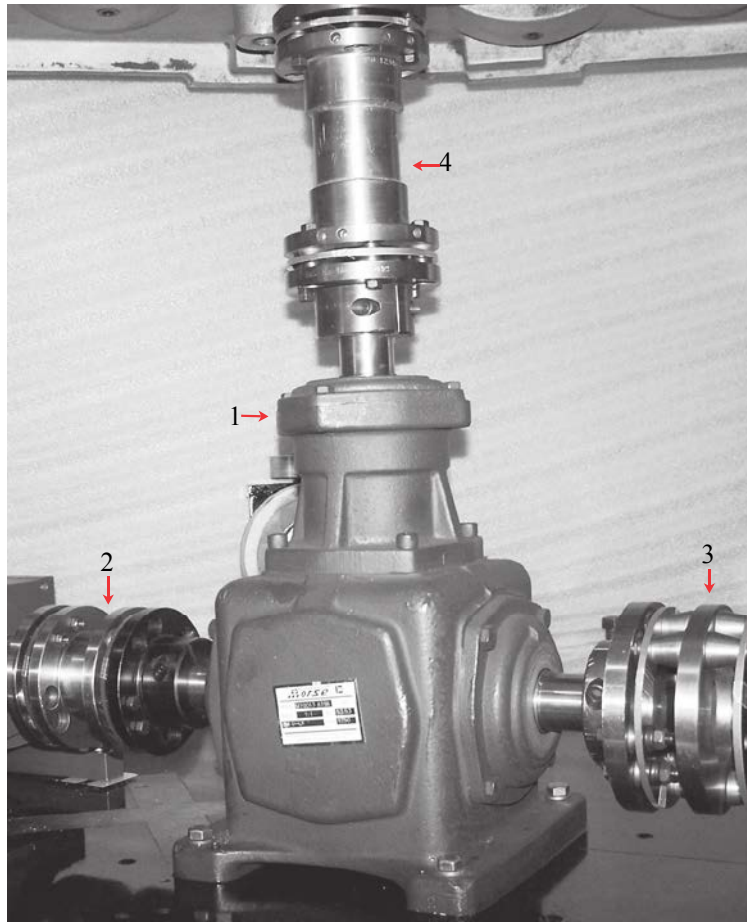
ITEM	PART #	DESCRIPTION	QTY
1	KMS 4037	DRIVE GEAR	1
2	KMS 6105	LONG GEARBOX SHAFT	1
3	KMS 4026	HOPPER CLUSTER GEAR	2
includes	KMS 9038	CLAMPING BLOCK	2
4	KMS 9037	CHANGE GEAR SHAFT	2
5	KMS 4058	DRIVE GEAR	2
6	HC 4000C	HOPPER AIR CLUTCH	2
7	KMS 6107	CLUTCH SHAFT	2
8	HC 4001	AIR CLUTCH GEAR	2
9	HC 4002	AIR CLUTCH COLLAR	4
10	KMS 4084	BEARING	6
	HC 4000A	HOPPER AIR CLUTCH KIT	
		includes 6,7,8,9,10 & all fittings	
		SEE FOLLOWING PAGE FOR MECHANICAL CLUTCH	
11	KMS 9036	BEARING	4
12	KMS 4042	GEARBOX COUPLING	1
13	KMS 4041	HOPPER DRIVE COUPLING	2
14	KMS 4077	SPROCKET TIMING PULLEY	2
	KMS 4076	TAPER LOCK BUSHING	2
15	KMS 4060	HOPPER DRIVE GEARBOX	1
	KMS 4043	HOPPER DRIVE GEARBOX (f position)	
		NOT SHOWN	
	KMS 4080	HOLLOW SHAFT GEARBOX (f position)	
	KMS 4081	HOLLOW SHAFT GEARBOX	
	KMS 4085	GEARBOX SHAFT (for hollow shaft gearboxes)	
16	KMS 4068	IDLER PULLER ASSY	1
includes	KMS 4069	BEARING	2
	KMS 9018	SPACER	1
17	KMS 4079	TIMING SPROCKET BELT	1
18	KMS 4071	TAKE UP BELT BRACKET	1
19	KMS 4074	THREADED ROD	1
20	KMS 4073	JACK BLOCK	1
21	KMS 4075	COLLAR	2

CLUTCH ASSEMBLY



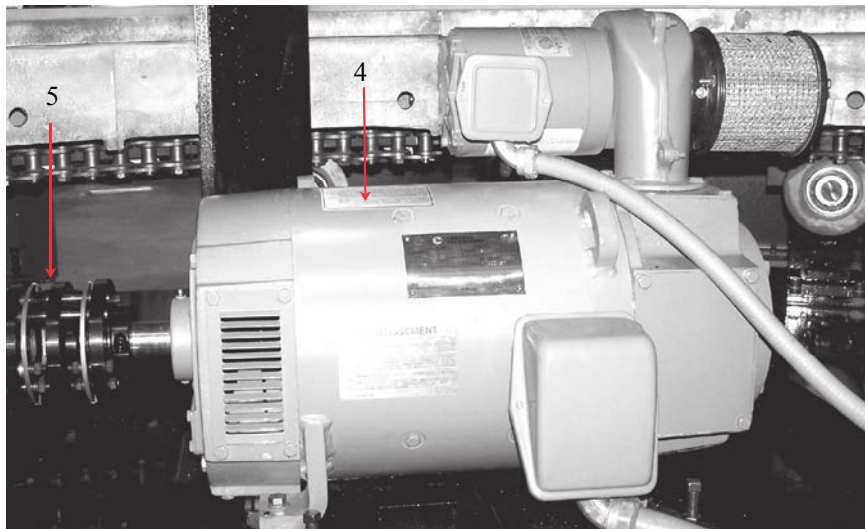
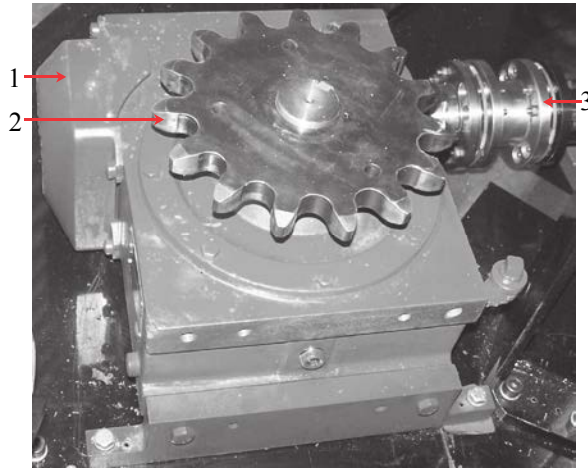
ITEM	PART #	DESCRIPTION	QTY
	KMS 4052	CLUTCH ASSY COMPLETE	1
1	KMS 6107	CLUTCH SHAFT (1 1/4")	1
		CLUTCH SHAFT (1 3/8")	1
2	KMS 4039	DISC SWITCH	1
3	KMS 4005	CLUTCH PLUNGER	3
	KMS 4006	PLUNGER SPRING	3
	KMS 4004	ADJUSTING NUT	3
	KMS 4010	LOCK NUT	3
4	KMS 4009	COLLAR (1 1/4")	2
	KMS 2089	COLLAR (1 3/8")	2
5	KMS 4012	CLUTCH BODY (1 1/4")	1
	KMS 4012A	CLUTCH BODY (1 3/8")	1
6	KMS 4008	HOPPER FULL SPEED GEAR (1 1/4")	1
	KMS 4008A	HOPPER FULL SPEED GEAR (1 3/8")	1
7	KMS 4007	HOPPER HALF SPEED GEAR	1
8	KMS 4040	CLUTCH WEAR PLATE	1
9	KMS 4040S	CLUTCH WEAR PLATE SPLIT	1

DRIVE



ITEM	PART #	DESCRIPTION	QTY
1	KMS 4016	MORSE MITER GEARBOX	1
2	KMS 4030	COUPLING	1
3	KMS 4028	COUPLING	1
4	KMS 4029	COUPLING	1

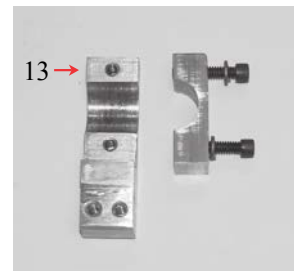
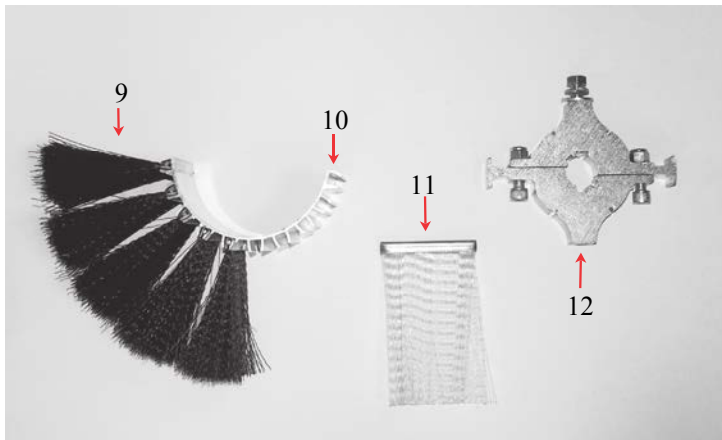
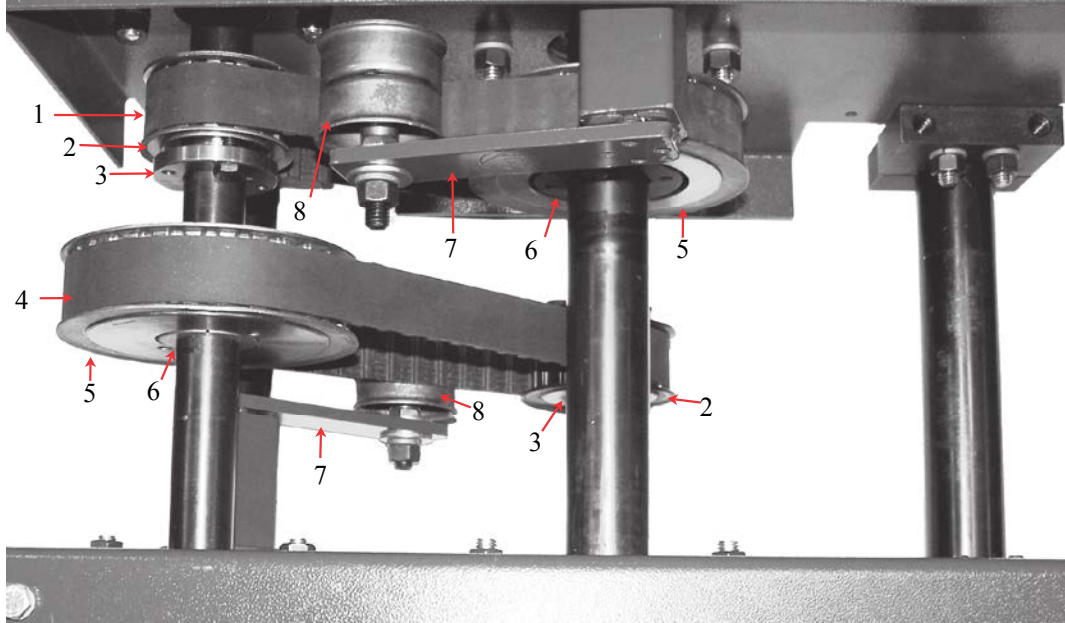
DRIVE



DRIVE

ITEM	PART #	DESCRIPTION	QTY
1	KMS 6093	WORM BOX	1
2	KMS 4049B	SPROCKET	1
3	KMS 4030	COUPLING	1
4	KMS 0019A	20 HSP DC MOTOR	1
5	KMS 4028	COUPLING	1
6		20 HSP AC MOTOR	

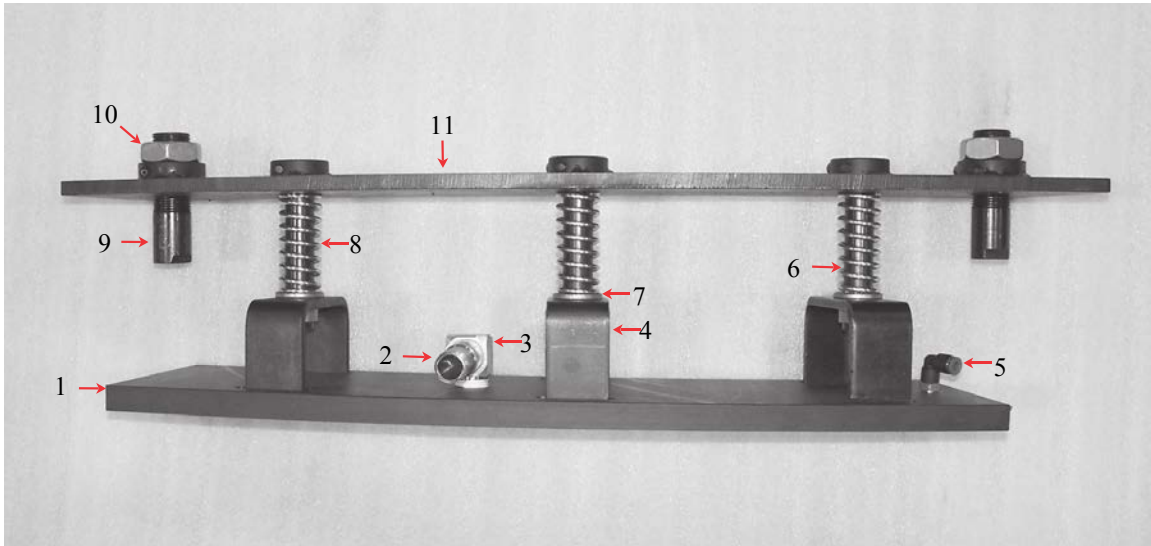
OPENER STATION



OPENER STATION

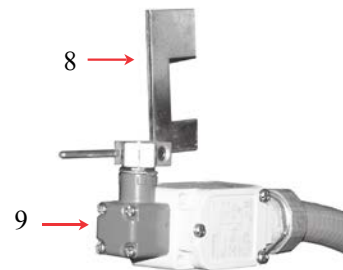
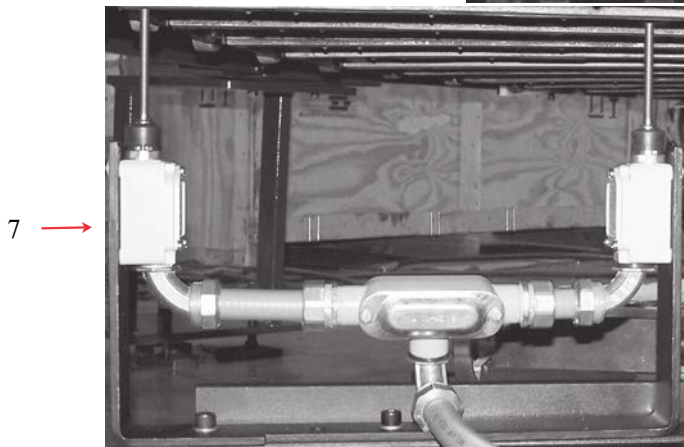
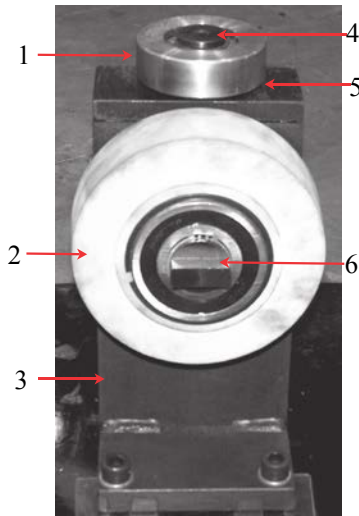
ITEM	PART #	DESCRIPTION	QTY
1	KMS 6132	TIMING BELT	1
2	KMS 6087	TIMING BELT PULLEY	2
3	KMS 6088	SPLIT TAPER BUSHING	2
4	KMS 6091	TIMING BELT	1
5	KMS 6086	TIMING BELT PULLEY	2
6	KMS 6034	BUSHING	2
7	KMS 6152	LOVEJOY ARM TENSIONER	2
8	KMS 6153	FLAT IDLER PULLEY	2
9	KMS 2010	BLACK BRUSH	10
10	KMS 6090	CENTER FLANGE	1
11	KMS 2010W	WHITE BRUSH	
12	BB 3002	HARDWARE FOR BB 3000	1
	BB 3000	BIG BRUSH OPENER KIT	1
	INCLUDES 9,10 & 12		
13	BB 2000	SPEED BRUSH ASSY	
	INCLUDES 13,14 & 1 KMS 2010		
14	KMS 2010H	BRUSH HOLDER	

VACUUM ASSEMBLY



ITEM	PART #	DESCRIPTION	QTY
1	KMS 9970	VACUUM VALVE SEGMENT	1
2	KMS 9947	NIPPLE	1
3	KMS 9946	ELBOW	1
4	KMS 9944	VACUUM BRACKET	3
5	HC 4005	QUICK DISCONNECT	1
6	KMS 9942	VACUUM STUD	3
7	KMS 9944B	FLANGE BUSHING	3
8	KMS 9940	BRACKET SPRING	3
9	KMS 9945	SUPPORT STUD	2
10	H-271	JAM NUT	4
11	KMS 9954	VACUUM MOUNTING BRACKET	1

UNDER ROTOR



ITEM	PART #	DESCRIPTION	QTY
1	KMS 2004	HORIZONTAL GUIDE ROLLER	10
	INCLUDES:		
	KMS 2004B	BEARING	1
	KMS 2004R	RETAINING RING	1
2	KMS 2005	VERTICAL SUPPORT ROLLER	10
	INCLUDES:		
	KMS 2005B	BEARING	2
	KMS 2005R	RETAINING RING	1
3	KMS 2139	ROTOR SUPPORT	10
4	KMS 2073	ECCENTRIC STUD	1
5	KMS 2138	ROLLER SPACER	1
6	KMS 2140	ECCENTRIC STUD	1
7	ET 151	DRAG SWITCH	1
8	ET 105F	FLAG	1
9	ET 150	FLAG SWITCH	1



GC1027-K&M NP125/200 GRIPPER CHAIN

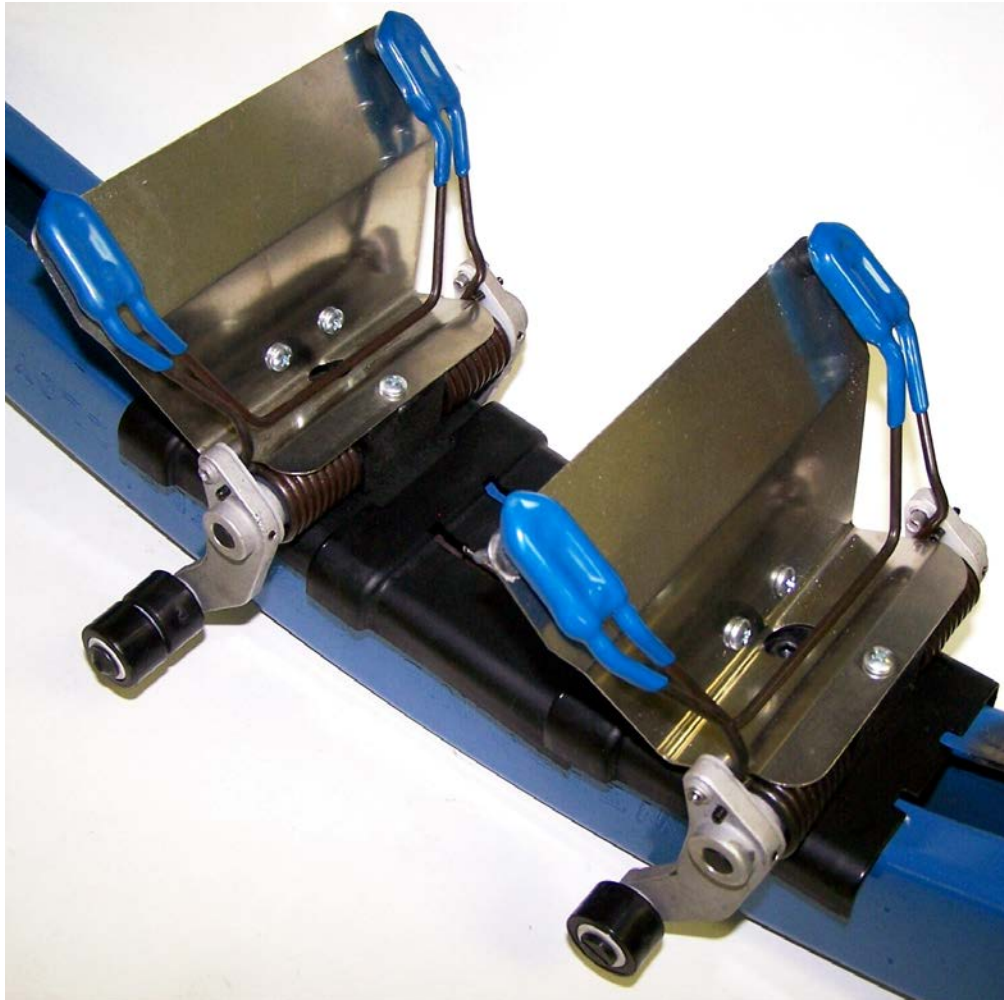
- Spherical Bearing is molded into Link**
- Threaded Brass Insert for Gripper attachment
in place of plastic threads**
- Bearing molded into Urethane wheel**

GC1001 – Gripper Assembly, NP100

FEATURED MODIFICATIONS:

- Dual spring pins for positive gripper rotation
- Internal spring spacer replaces weak internal spring
- Featuring a newly designed spring
- Also available completely remanufactured

CALL FOR PRICING



GC1000 – Gripper Chain Link Assembly, NP100

FEATURING:

- Heat treated high strength alloy steel chain link
- Improved Wheel design - Wheels are molded to the bearing for longer life

CALL FOR PRICING

