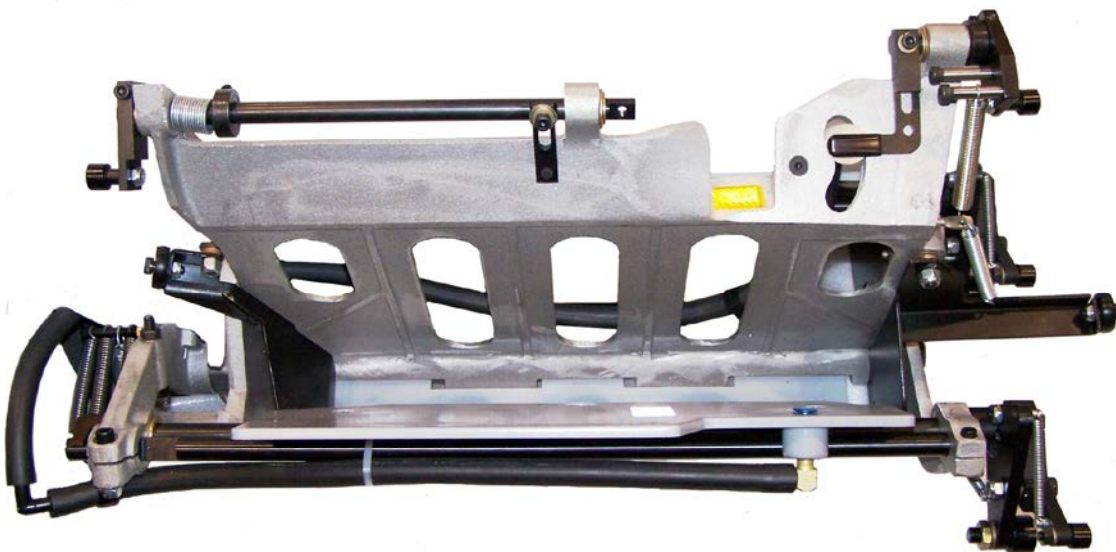
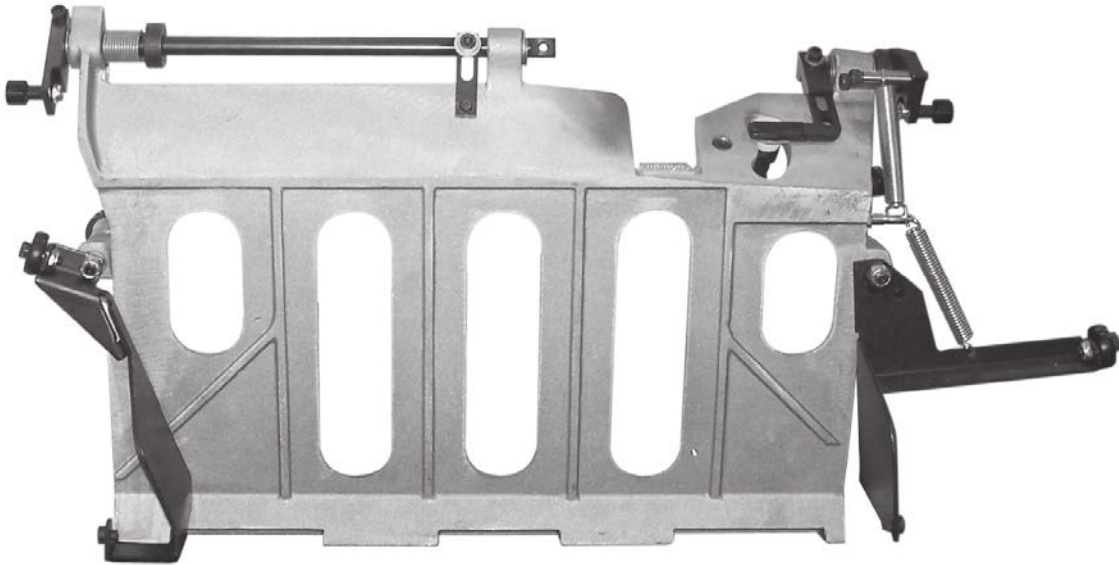


## 2299 INSERTER

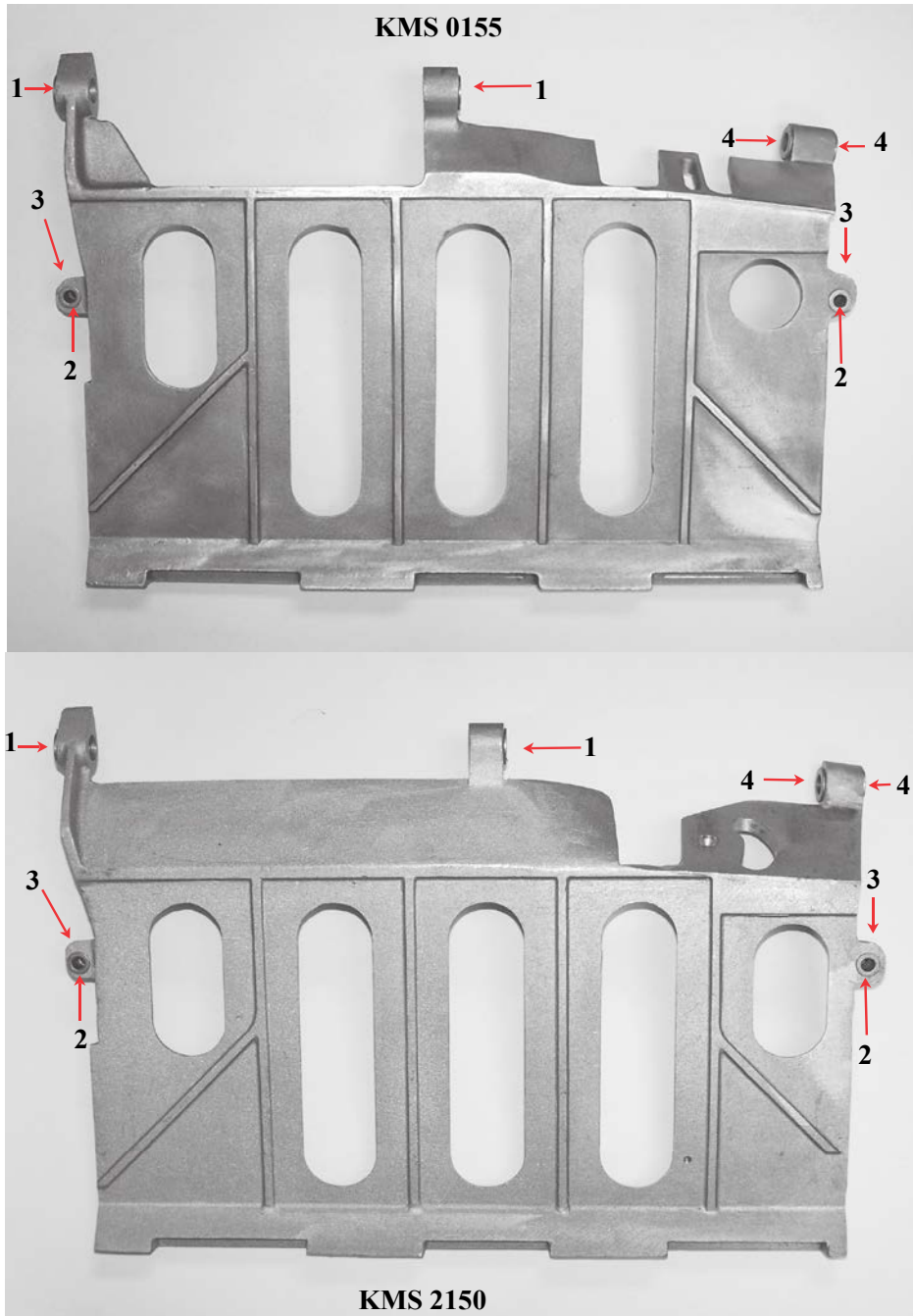


## COMPLETE FIXED POCKET WALL



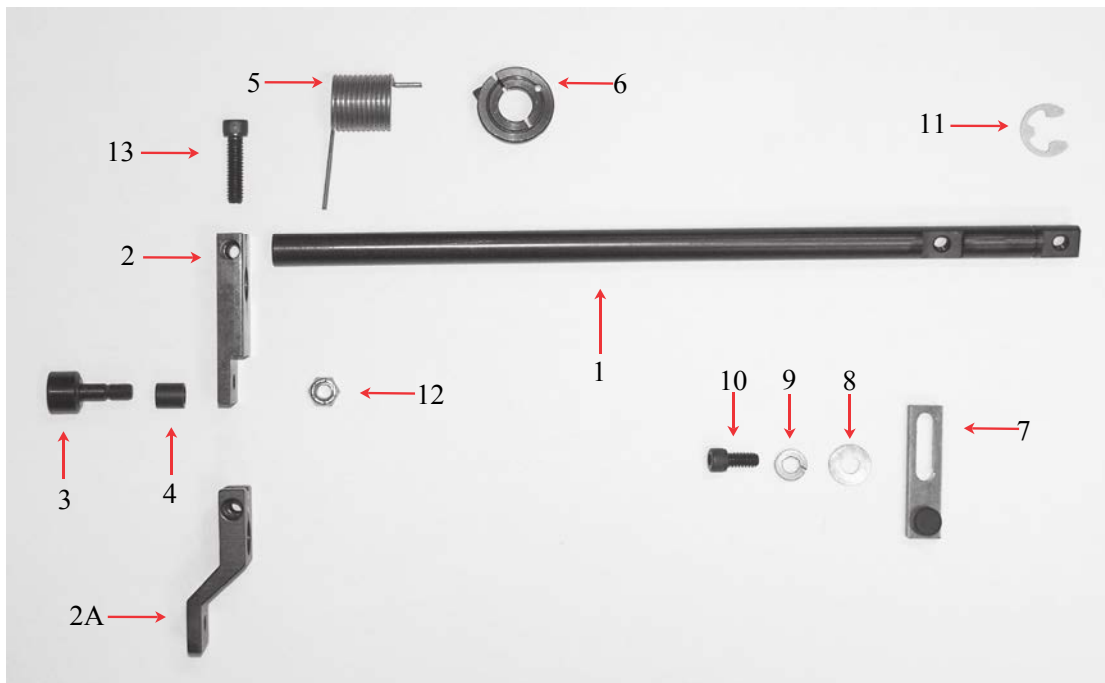
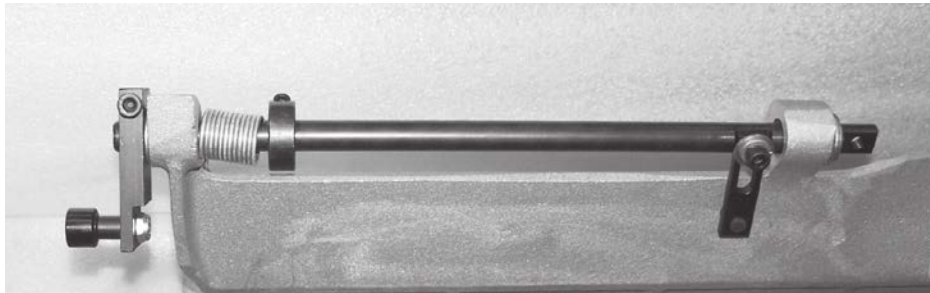
ITEM	PART #	DESCRIPTION	QUANTITY
1	KMS 2150CW	COMPLETE POCKET WALL COMES ASSEMBLED WITH YOUR CHOICE OF GRIPPERS & PADDLES	

# FIXED POCKET WALL



ITEM	PART #	DESCRIPTION	QUANTITY
1	KMS 2078FB	FLANGE BUSHING	2
2	KMS 2077FB	FLANGE BUSHING	2
3	KMS 2077B	BUSHING	2
4	KMS 1098FB	FLANGE BUSHING	2
ATTACHES TO ROTOR			
	H-114	SOCKET HD CAPSCREW	
	H-147	HEX NUT	
	H-146	LOCK WASHER	

# FIXED POCKET WALL

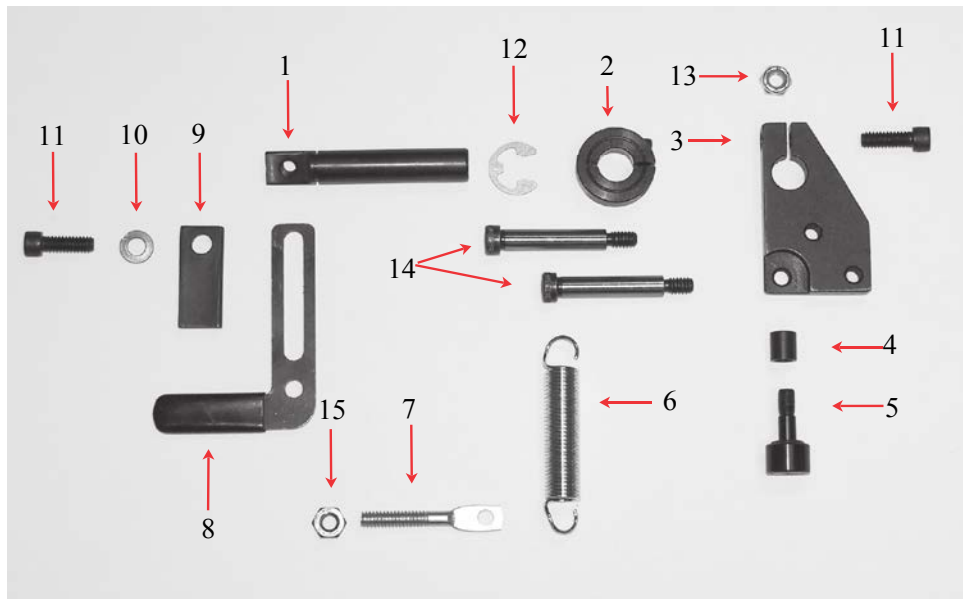
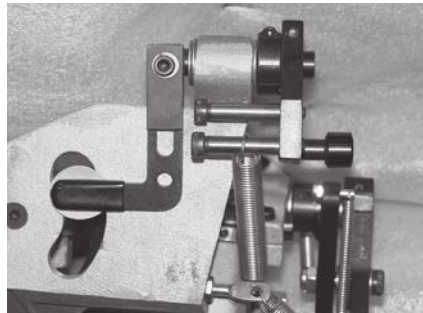


ITEM	PART #	DESCRIPTION	QUANTITY
1	KMS 2078	GRIPPER SHAFT	1
2	KMS 1099	GRIPPER LEVER	1
2A	KMS 1099A	GRIPPER LEVER (2299&630)	
3	KMS 2020	5/8" CAM FOLLOWER	1
4	KMS 0122	STUD ROLL	1
5	KMS 2062	SPRING	1
6	KMS 0123	JOGGING COLLAR	1
7	KMS 0188-2	2" LAP GRIPPER	1
8	H-150	WASHER	1
9	H-120	LOCK WASHER	1
10	H-001	SOCKET HD CAPSCREW	1
11	KMS 0154	RING	1
12	H-200	LOCK NUT	1
13	H-187	SOCKET HD CAPSCREW	1

## CENTER POCKET GRIPPERS

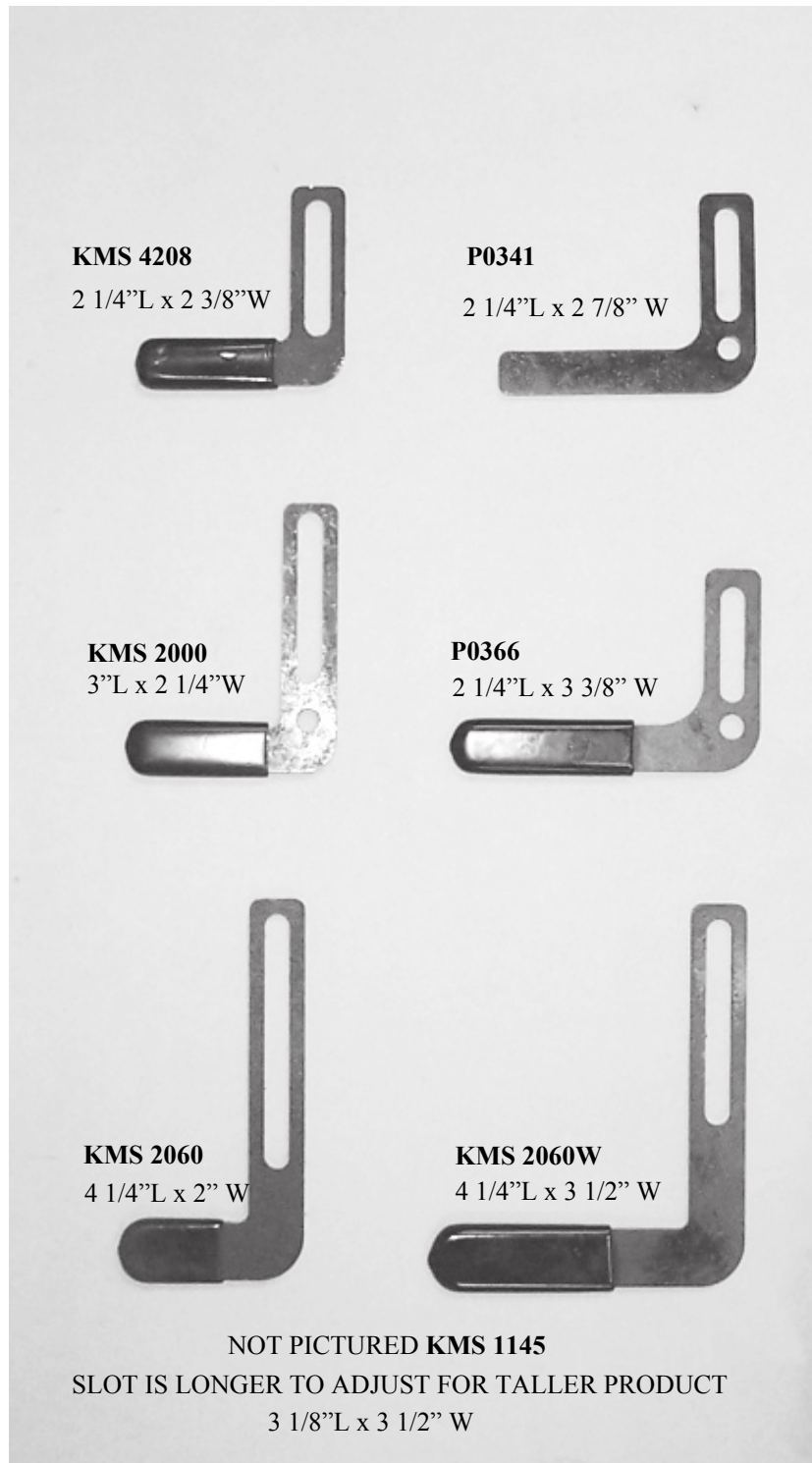


# FIXED POCKET WALL



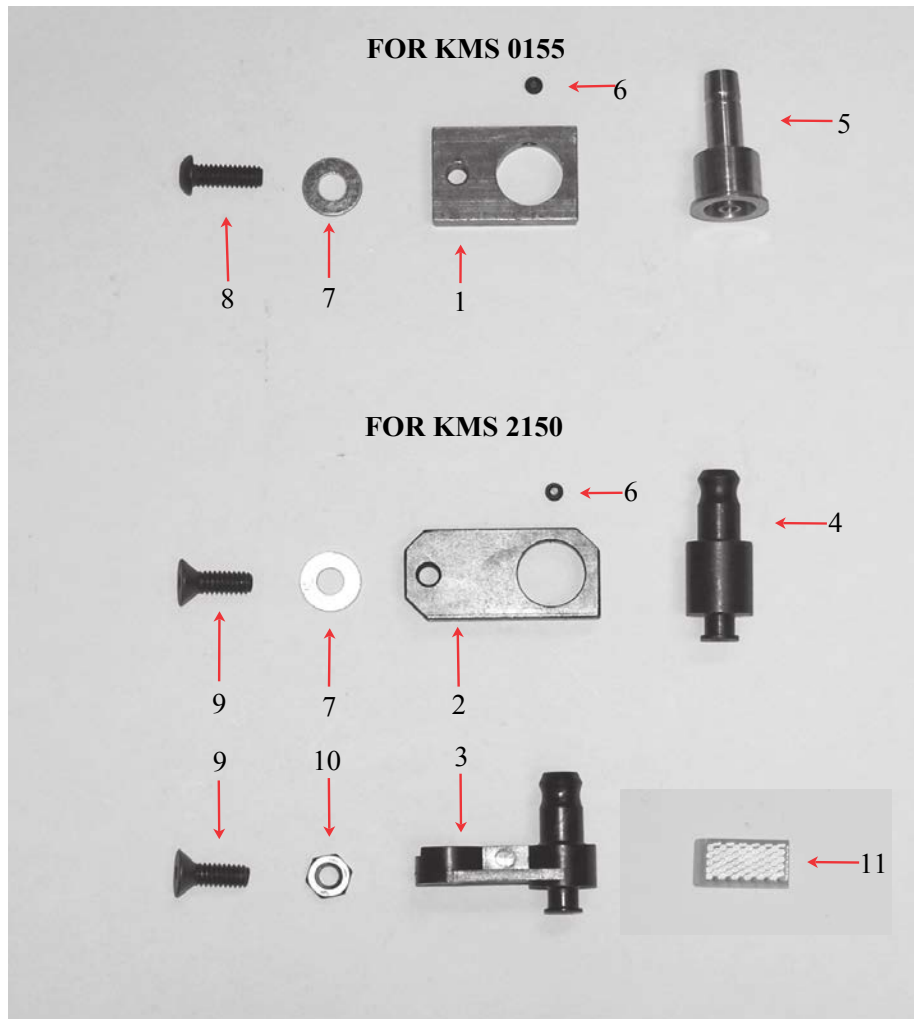
ITEM	PART #	DESCRIPTION	QUANTITY
1	KMS 1098	GRIPPER SHAFT	1
2	KMS 5811	1/2" SINGLE SPLIT COLLAR	1
3	KMS 0126	GRIPPER AUX. LEVER	1
4	KMS 0122	STUD ROLL	1
5	KMS 2020	5/8" CAM FOLLOWER	1
6	KMS 2065	SPRING	1
7	KMS 2069	HANGER BOLT	1
8	KMS 2000	GRIPPER	1
9	KMS 0124	BACK UP LUG	1
10	H-120	LOCK WASHER	1
11	H-190	SOCKET HD CAPSCREW	2
12	KMS 0154	RING	1
13	H-200	LOCK NUT	1
14	KMS 0151	SHOULDER BOLT	2
15	H-220	JAM NUT	1

## OUTER POCKET GRIPPERS



KMS 2060 IS DISCONTINUED

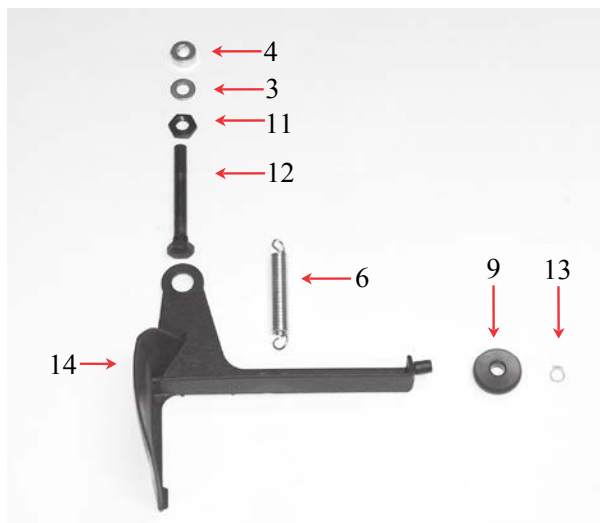
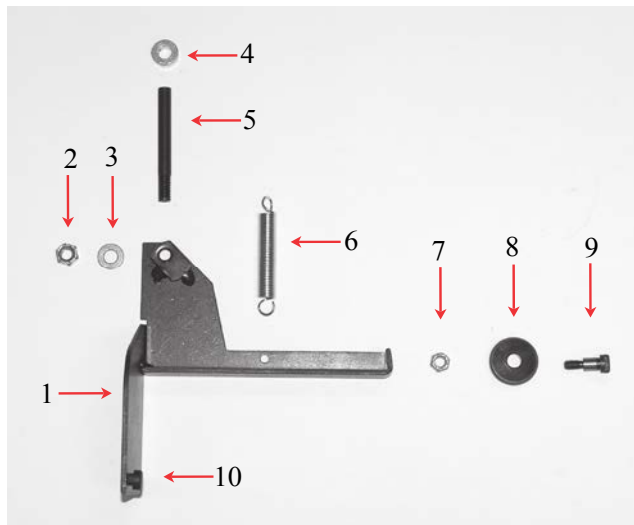
# FIXED POCKET WALL



ITEM	PART #	DESCRIPTION	QUANTITY
1	KMS 0125-2	SUCKER BLOCK	1
2	KMS 0125	SUCKER BLOCK	1
3	KMS 6121	SUCKER HEAD	1
4	KMS 0152	SUCKER HEAD	1
5	KMS 0103	SUCKER HEAD	1
6	H-274	SET SCREW	1
7	H-196	WASHER	1
8	H-273	BUTTON HD CAPSCREW	1
9	H-157	FLAT HEAD	1
10	H-220	JAM NUT	1
11	KMS 4110YR1/2	REFLECTOR	1

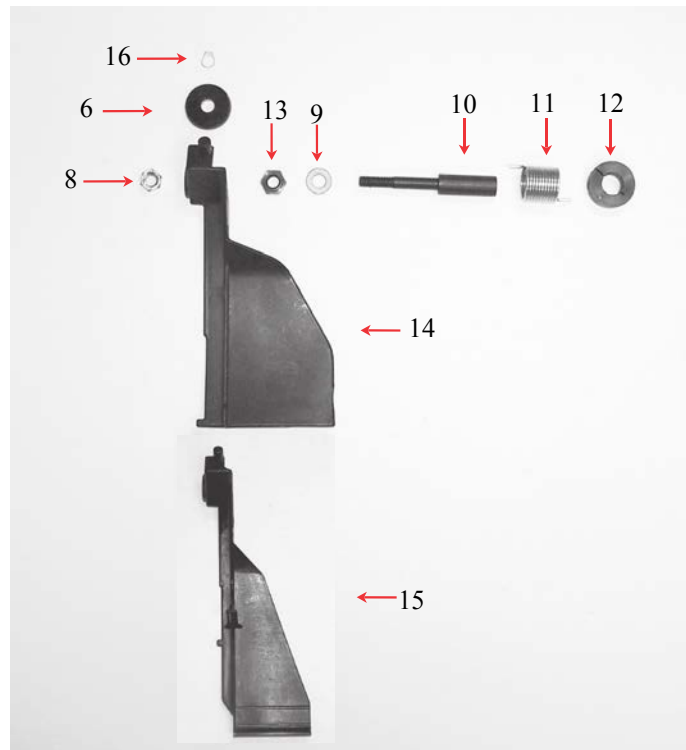
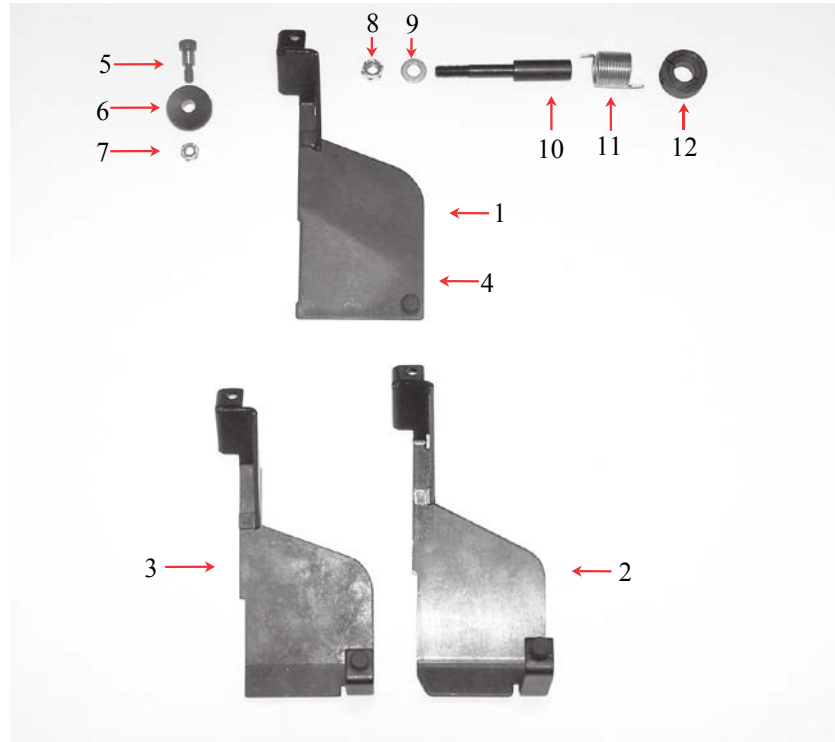


# OUTSIDE PADDLES



ITEM	PART #	DESCRIPTION	QUANTITY
1	KMS 1082	PADDLE	1
2	H-110	LOCK NUT	1
3	KMS 1082W	THRUST WASHER	1
4	KMS 0177	COLLAR	1
5	KMS 2070	JOGGER PIVOT PIN	1
6	KMS 2063	SPRING	1
7	H-203	LOCK NUT	1
8	KMS 1084	ROLLER	1
9	H-214	SHOULDER BOLT	1
10	KMS 9524	BUMPER	1
11	KMS 1082N	OUTSIDE PADDLE NUT	1
12	KMS 1082B	JOGGER PIVOT PIN	1
13	KMS 1082R	RING	1
14	KMS 1082P	PLASTIC PADDLE	1

# INSIDE PADDLES



**INSIDE PADDLES**

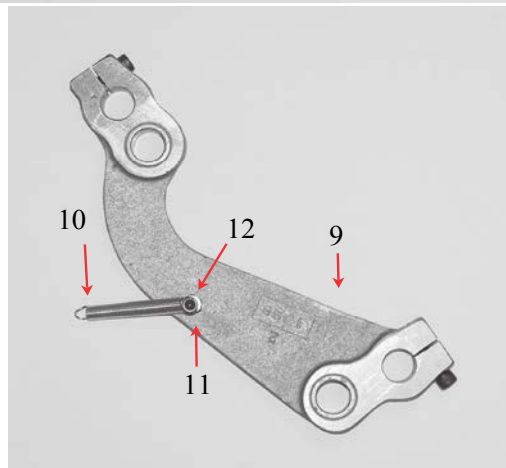
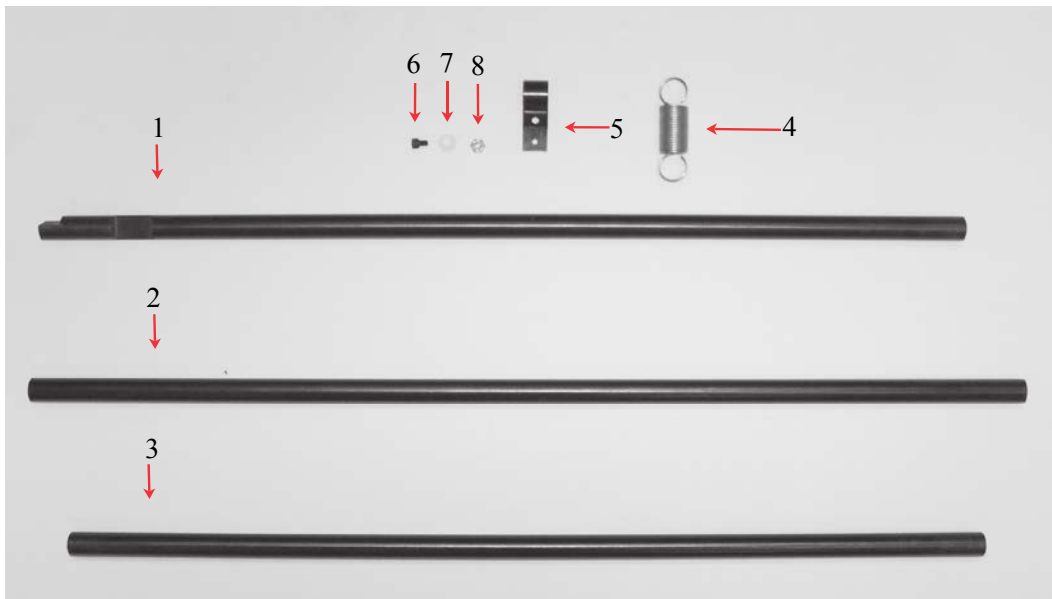
<b>ITEM</b>	<b>PART #</b>	<b>DESCRIPTION</b>	<b>QUANTITY</b>
1	KMS 1019	PADDLE	1
&	KMS 2019	PADDLE WITH WELDNUT	
2	KMS 1763	PADDLE-48" WEB	1
3	KMS 2019S	PADDLE-50" WEB	1
		PADDLES COME WITH BUMPER	
4	KMS 9524	RUBBER BUMPER	1
5	H-214	SHOULDER BOLT	1
6	KMS 1084	JOGGING PADDLE ROLLER	1
7	H-203	LOCK NUT	1
8	H-110	LOCK NUT	1
9	KMS 1082W	WASHER	1
10	KMS 2077	INSIDE JOGGER PIN	1
11	KMS 2061	SPRING	1
12	KMS 0123	COLLAR	1
13	KMS 2019N	INSIDE PADDLE NUT	1
14	KMS 2019P	PLASTIC PADDLE	1
15	KMS 1980	PLASTIC PADDLE-42/44" WEB	1
16	KMS 1082R	RING	1

## MOVABLE POCKET WALL



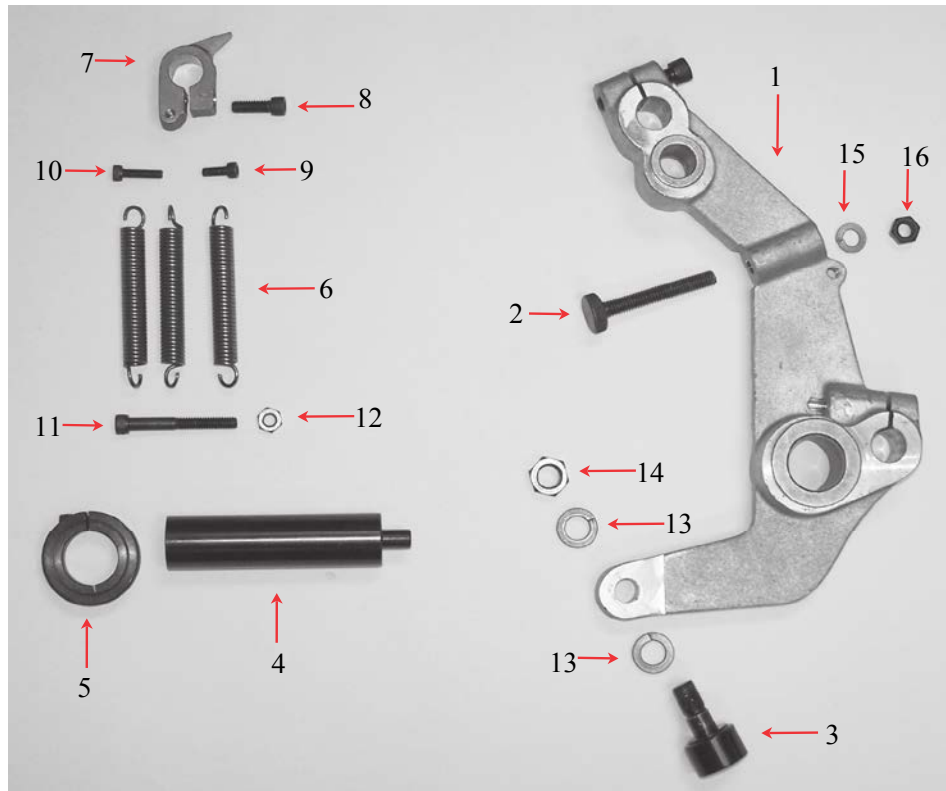
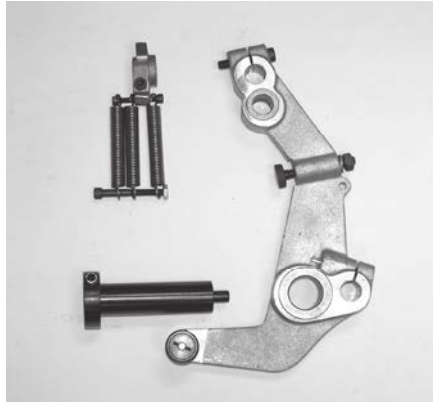
ITEM	PART #	DESCRIPTION	QUANTITY
1	KMS 1983	MOVABLE POCKET WALL 42/44"	1
2	KMS 1059AL	MOVABLE POCKET WALL	1
3	KMS 1059E	ELBOW	1
4	R-001	REFLECTIVE TAPE	1
5	R-001B	REFLECTIVE TAPE	1
6	KMS 2132	POCKET CLAMP BLOCK	1
7	H-250	SOCKET HD CAPSCREW	1
8	H-272	BUTTON HD CAPSCREW	1

# MOVABLE POCKET WALL



ITEM	PART #	DESCRIPTION	QUANTITY
1	KMS 2133	MOVABLE POCKET SHAFT	1
2	KMS 2134	MOVABLE POCKET SHAFT	1
3	KMS 2152	MOVABLE POCKET SHAFT	1
4	KMS 2066	SPRING (POCKET RETURN)	1
5	KMS 2068	SPRING CLAMP	1
6	H-182	SOCKET HD CAPSCREW	1
7	H-275	FLAT WASHER	1
8	H-255	NYLON LOCKNUT	1
9	KMS 1086	PARALLEL LEVER	1
	INCLUDES		
	H-187	SOCKET HD CAPSCREW	2
	KMS 1086B	BUSHING	2
10	KMS 3114	SPRING	1
11	H-276	SOCKET HD CAPSCREW	1
12	H-277	JAM NUT	1

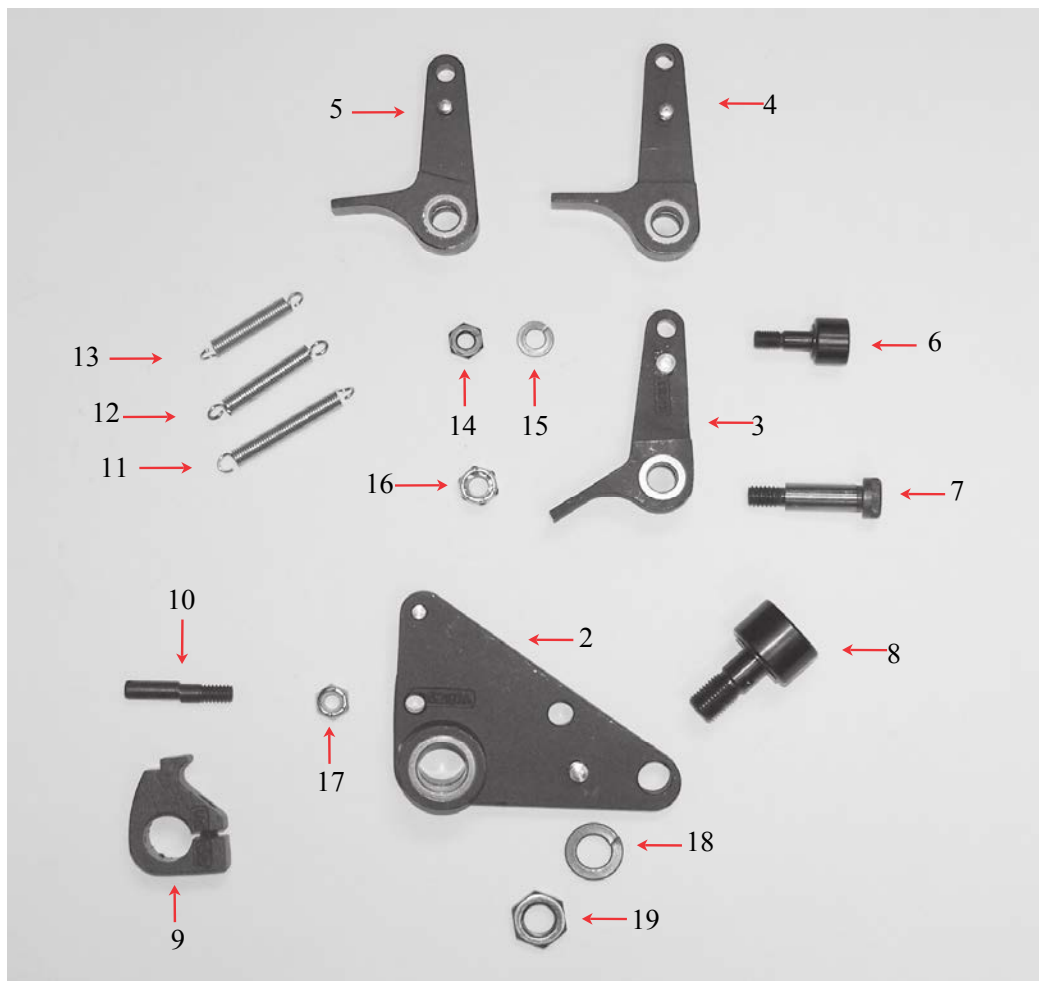
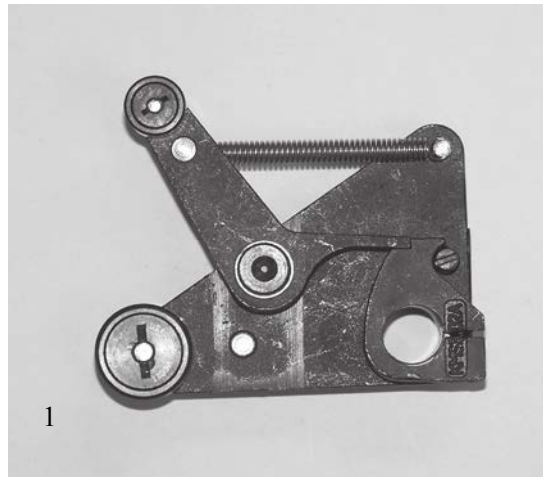
# MOVABLE POCKET WALL



**MOVABLE POCKET WALL**

<b>ITEM</b>	<b>PART #</b>	<b>DESCRIPTION</b>	<b>QUANTITY</b>
1	KMS 1095	POCKET OPERATING LEVER	1
	INCLUDES		
	KMS 1095FB	LARGE FLANGE BUSHING	1
	KMS 1095B	SMALL FLANGE BUSHING	1
	H-165	SOCKET HD CAPSCREW	1
2	KMS 2130	ADJUSTING SCREW	1
3	KMS 1015	CAM FOLLOWER 1"	1
4	KMS 2131	POCKET INSIDE STUD	1
5	KMS 5028	COLLAR	1
6	KMS 2007	STOP LEVER SPRING	3
7	KMS 2129	STOP LEVER	1
8	H-190	SOCKET HD CAPSCREW	1
9	H-149	SOCKET HD CAPSCREW	1
10	H-155	SOCKET HD CAPSCREW	1
11	H-158	SOCKET HD CAPSCREW	1
12	H-220	JAM NUT	1
13	H-153	LOCK WASHER	2
14	H-152	JAM NUT	1
15	H-164	LOCK WASHER	1
16	H-278	FULL NUT	1

# POCKET INHIBIT LATCH ASSY (ARS)

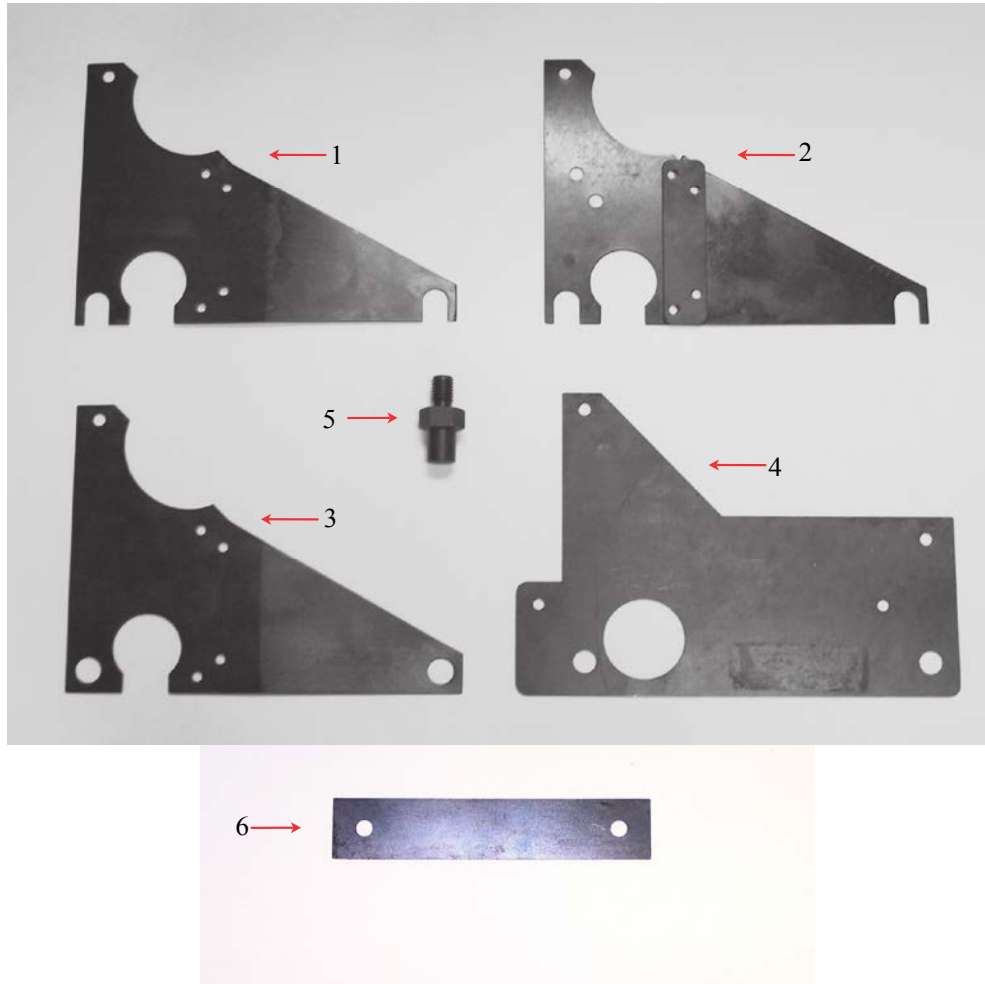




**ARS ASSEMBLY**

<b>ITEM</b>	<b>PART #</b>	<b>DESCRIPTION</b>	<b>QUANTITY</b>
1	KMS 3111	POCKET INHIBIT LATCH ASSY	1
2	KMS 3107	POCKET OPERATING LEVER	1
	INCLUDES		
	KMS 3112	BUSHING	2
	KMS 9736	PIN	1
	KMS 3103P	PIN	1
3	KMS 3103	SILENCING LEVER	1
	INCLUDES		
	KMS 3113	BUSHING	2
	KMS 3103P	PIN	1
4	KMS 3103B	SILENCING LEVER	1
	INCLUDES		
	KMS 3113	BUSHING	2
	KMS 9736	PIN	1
5	KMS 3103A	SILENCING LEVER	1
	INCLUDES		
	KMS 3113	BUSHING	2
	KMS 9736	PIN	1
6	KMS 2020	5/8" CAM FOLLOWER	1
7	H-198	SHOULDER BOLT	1
8	KMS 1015	1" CAM FOLLOWER	1
9	KMS 3102	SILENCING LOCK	1
10	KMS 3101	ECCENTRIC STOP	1
11	KMS 3115	SPRING 2"	1
	KMS 3118	SPRING 2" HEAVY DUTY	1
12	KMS 3115A	SPRING 1.75"	1
13	KMS 3115B	SPRING 1.5"	1
14	H-279	FULL NUT	1
15	H-120	LOCK WASHER	1
16	H-110	NYLON LOCKNUT	1
17	H-249	NYLON LOCKNUT	1
18	H-153	LOCK WASHER	1
19	H-152	JAM NUT	1

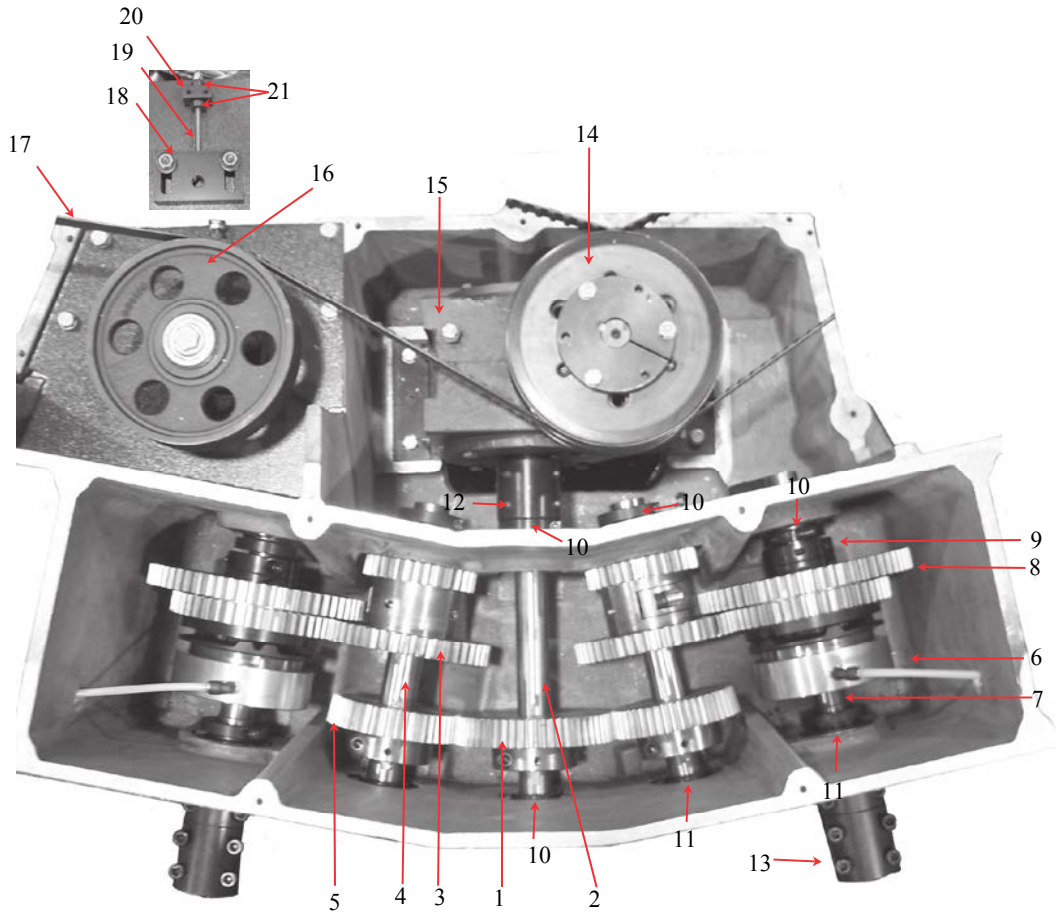
# POCKET TIES



ITEM	PART #	DESCRIPTION	QUANTITY
1	KMS 0106	POCKET TIE	1
2	KMS 0110	POCKET TIE ASSY	1
	ASSEMBLES WITH		
	H-241	BUTTON HD CAPSCREW	4
	H-281	LOCK NUT	4
3	KMS 0106S	POCKET TIE (2299)	1
4	KMS 6116	POCKET TIE (630 & G60)	1
	MOUNTS WITH		
	H-280	SHOULDER BOLT	1
5	KMS 0105	STUD	1
6	KMS 6058	INSIDE POCKET TIE	1

**BLANK PAGE**

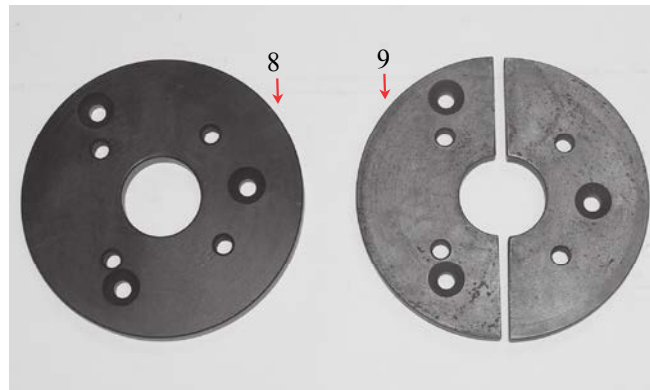
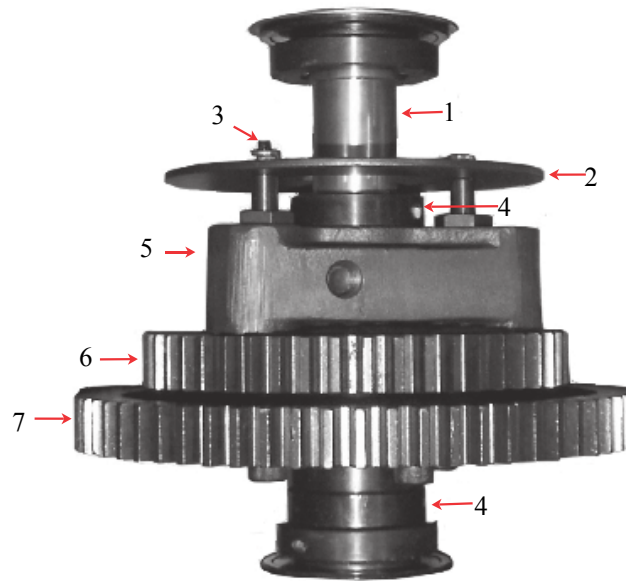
# HOPPER DRIVE



**HOPPER DRIVE**

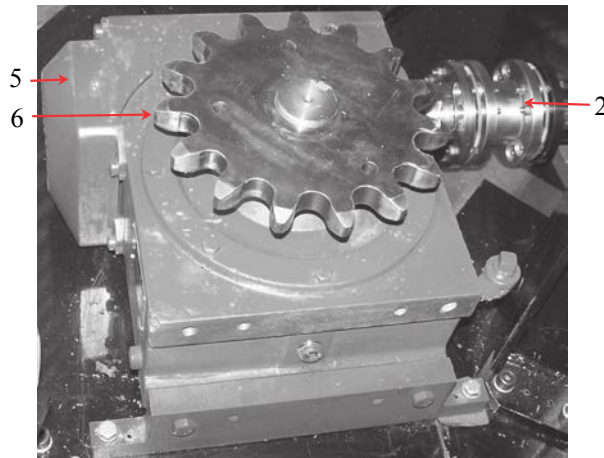
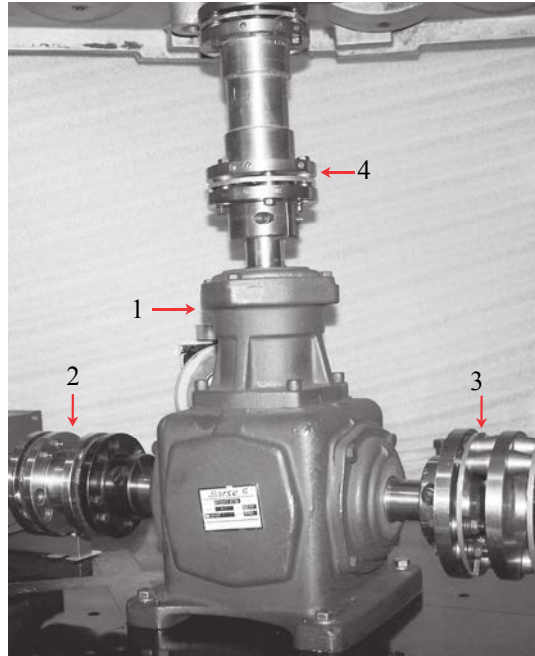
<b>ITEM</b>	<b>PART #</b>	<b>DESCRIPTION</b>	<b>QTY</b>
1	KMS 6013	DRIVE GEAR *	1
2	KMS 6105	LONG GEARBOX SHAFT	1
3	KMS 4026	HOPPER CLUSTER GEAR	2
includes	KMS 9038	CLAMPING BLOCK	2
4	KMS 9037	CHANGE GEAR SHAFT	2
5	KMS 6012	DRIVE GEAR	2
6	HC 4000C	HOPPER AIR CLUTCH	2
7	KMS 6098	CLUTCH SHAFT	2
8	HC 4001	AIR CLUTCH GEAR	2
9	KMS 5806	DOUBLE SPLIT COLLAR	4
10	KMS 4084	BEARING	6
	<b>HC 4000</b>	HOPPER AIR CLUTCH KIT	
		includes 6,7,8,9,10 & all fittings	
		SEE FOLLOWING PAGE FOR MECHANICAL CLUTCH	
11	KMS 9036	BEARING	4
12	KMS 4042	GEARBOX COUPLING	1
13	KMS 4041	HOPPER DRIVE COUPLING	2
14	KMS 4077	SPROCKET TIMING PULLEY	2
	KMS 4076	TAPER LOCK BUSHING	2
15	KMS 4060	HOPPER DRIVE GEARBOX	1
	KMS 4043	HOPPER DRIVE GEARBOX (f position)	
	NOT SHOWN		
	KMS 4080	HOLLOW SHAFT GEARBOX (f position)	
	KMS 4081	HOLLOW SHAFT GEARBOX	
	KMS 4085	GEARBOX SHAFT (for hollow shaft gearboxes)	
16	KMS 4068	IDLER PULLER ASSY	1
includes	KMS 4069	BEARING	2
	KMS 9018	SPACER	1
17	KMS 9210	TIMING SPROCKET BELT	1
18	KMS 4071	TAKE UP BELT BRACKET	1
19	KMS 4074	THREADED ROD	1
20	KMS 4073	JACK BLOCK	1
21	KMS 0177	COLLAR	2
*	USES KMS 4136	COLLAR 1 7/8" DOUBLE SPLIT	
	ALSO AVAILABLE KMS 5806	COLLAR 1 3/4" DOUBLE SPLIT (GOSS GEAR)	

# CLUTCH ASSEMBLY



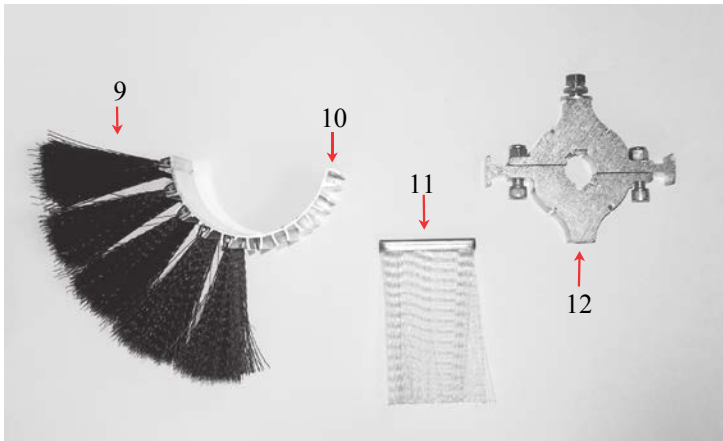
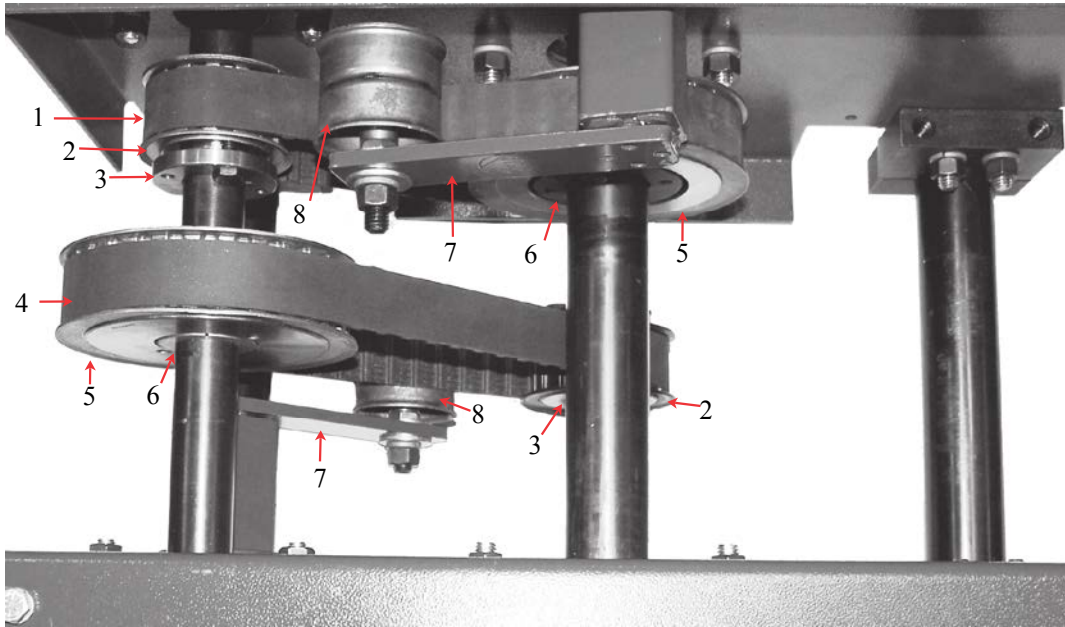
ITEM	PART #	DESCRIPTION	QTY
	KMS 4052	CLUTCH ASSY COMPLETE	1
1	KMS 6107	CLUTCH SHAFT (1 1/4")	1
		CLUTCH SHAFT (1 3/8")	1
2	KMS 4039	DISC SWITCH	1
3	KMS 4005	CLUTCH PLUNGER	3
	KMS 4006	PLUNGER SPRING	3
	KMS 4004	ADJUSTING NUT	3
	KMS 4010	LOCK NUT	3
4	KMS 4009	COLLAR (1 1/4")	2
	KMS 2089	COLLAR (1 3/8")	2
5	KMS 4012	CLUTCH BODY (1 1/4")	1
	KMS 4012A	CLUTCH BODY (1 3/8")	1
6	KMS 4008	HOPPER FULL SPEED GEAR (1 1/4")	1
	KMS 4008A	HOPPER FULL SPEED GEAR (1 3/8")	1
7	KMS 4007	HOPPER HALF SPEED GEAR	1
8	KMS 4040	CLUTCH WEAR PLATE	1
9	KMS 4040S	CLUTCH WEAR PLATE SPLIT	1

## DRIVE GEARBOXES



ITEM	PART #	DESCRIPTION	QTY
1	KMS 4016	MORSE MITER GEARBOX	2
2	KMS 4030	COUPLING	2
3	KMS 4028	COUPLING	2
4	KMS 4029	COUPLING	2
5	KMS 6093	WORM BOX	2
6	KMS 4049C	SPROCKET	2
	NOT PICTURED		
1	KMS 6146	DUAL DRIVE MOTOR	

# OPENER STATION

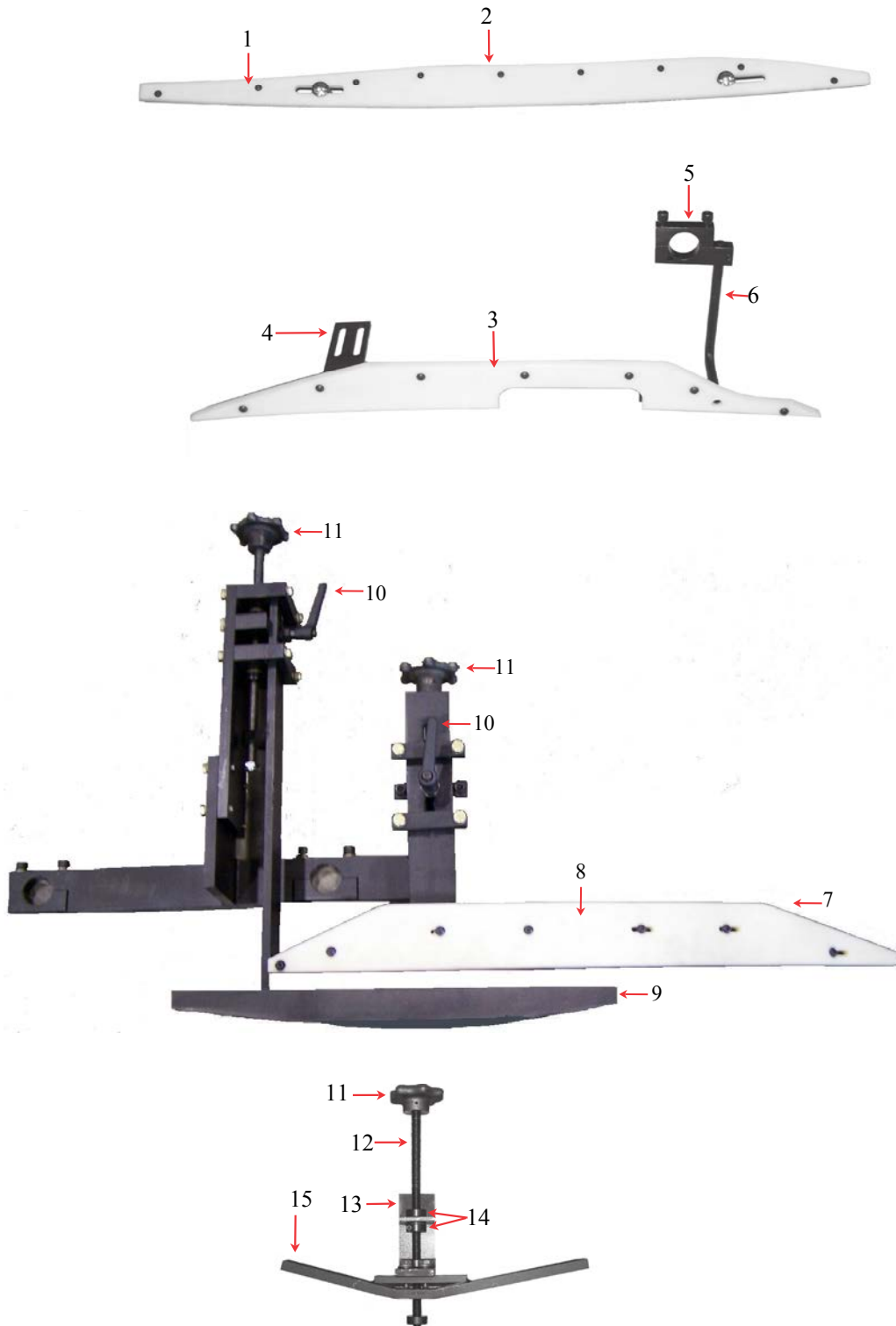




**OPENER STATION**

<b>ITEM</b>	<b>PART #</b>	<b>DESCRIPTION</b>	<b>QTY</b>
1	KMS 6132	TIMING BELT	1
2	KMS 6087	TIMING BELT PULLEY	2
3	KMS 6088	SPLIT TAPER BUSHING	2
4	KMS 6091	TIMING BELT	1
5	KMS 6086	TIMING BELT PULLEY	2
6	KMS 6034	BUSHING	2
7	KMS 6152	LOVEJOY ARM TENSIONER	2
8	KMS 6153	FLAT IDLER PULLEY	2
9	KMS 2010	BLACK BRUSH	10
10	KMS 6090	CENTER FLANGE	1
11	KMS 2010W	WHITE BRUSH	
12	BB 3002	HARDWARE FOR BB 3000	1
	<b>BB 3000</b>	<b>BIG BRUSH OPENER KIT</b>	1
	INCLUDES 9,10 & 12		
13	<b>BB 2000</b>	<b>SPEED BRUSH ASSY</b>	
	INCLUDES 13,14 & 1 KMS 2010		
14	KMS 2010H	BRUSH HOLDER	

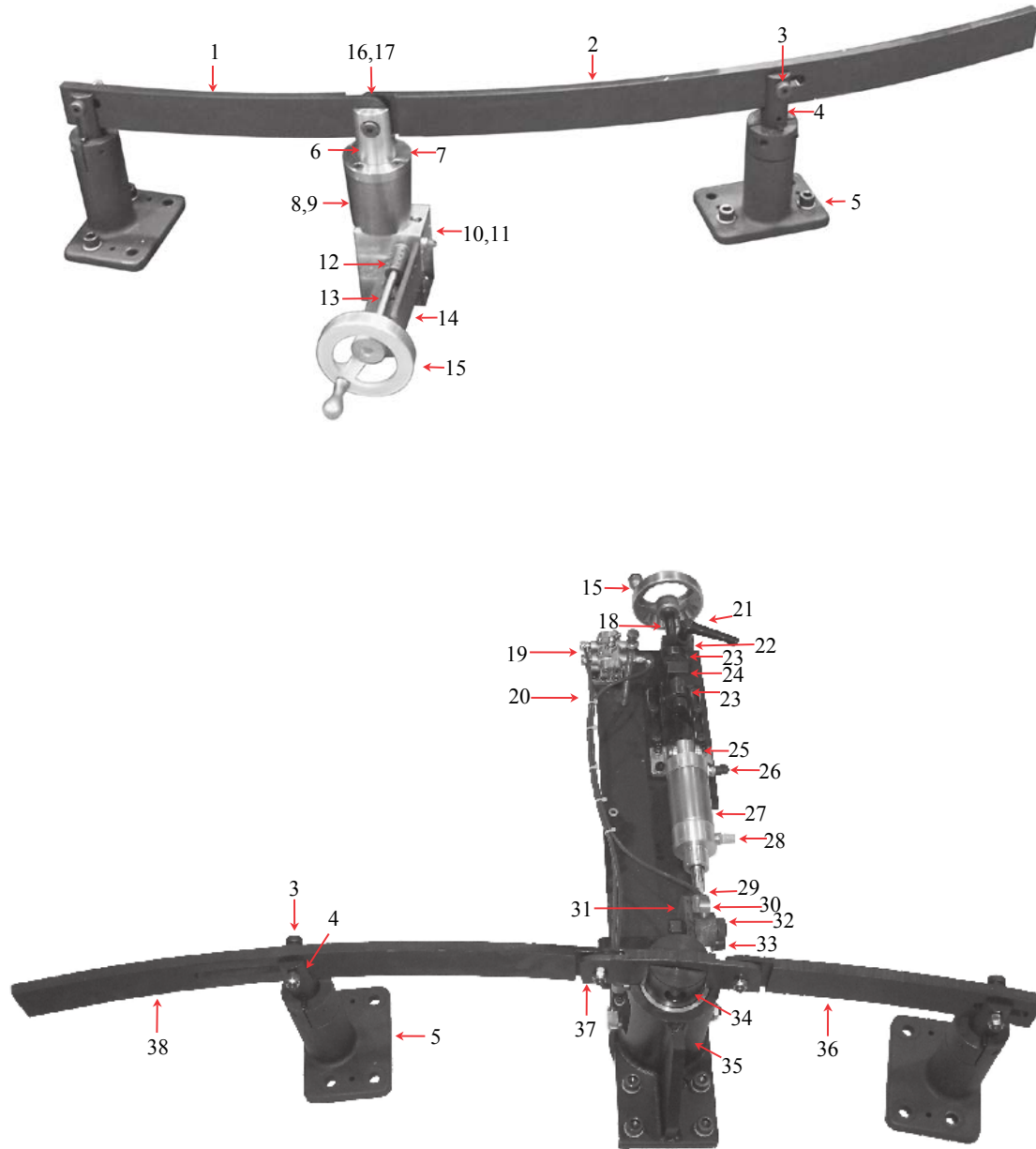
# CAMS AT THE DELIVERY



**CAMS AT THE DELIVERY**

<b>ITEM</b>	<b>PART #</b>	<b>DESCRIPTION</b>
1	KMS 6081	DELIVERY CAM PAD
2	KMS 6081C	DELIVERY CAM
3	KMS 6080	OUTER DELIVERY GRIPPER CAM PAD
4	KMS 6080C	OUTER DELIVERY GRIPPER CAM
5	KMS 6195	TRIP SUPPORT CLAMP
6	KMS 6196	GRIPPER CAM SUPPORT CLAMP
7	KMS 6203	INNER DELIVERY GRIPPER CAM
8	KMS 6079	INNER DELIVERY GRIPPER PAD
9	KMS 6197	INNER PRE-DELIVERY JOGGER CAM
10	ET 176G	HANDLE
11	KMS 0883	HAND KNOB
12	KMS 6191	THREADED ROD
13	KMS 6193	JOGGING CAM BRACKET
14	KMS 0884	THREADED COLLAR
15	KMS 6192	OUTSIDE JOGGING CAM

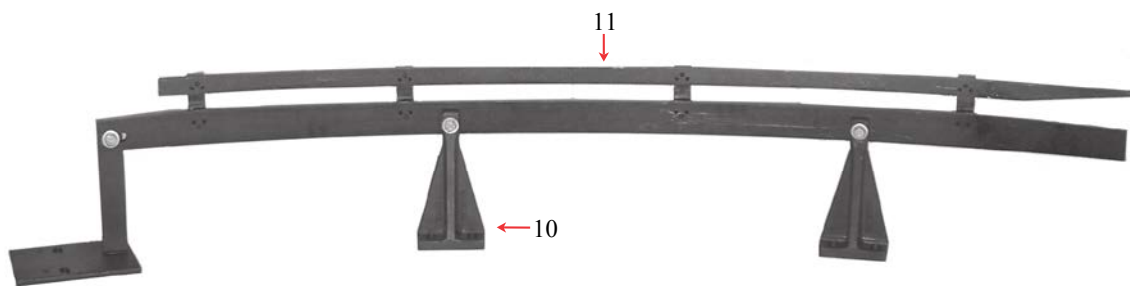
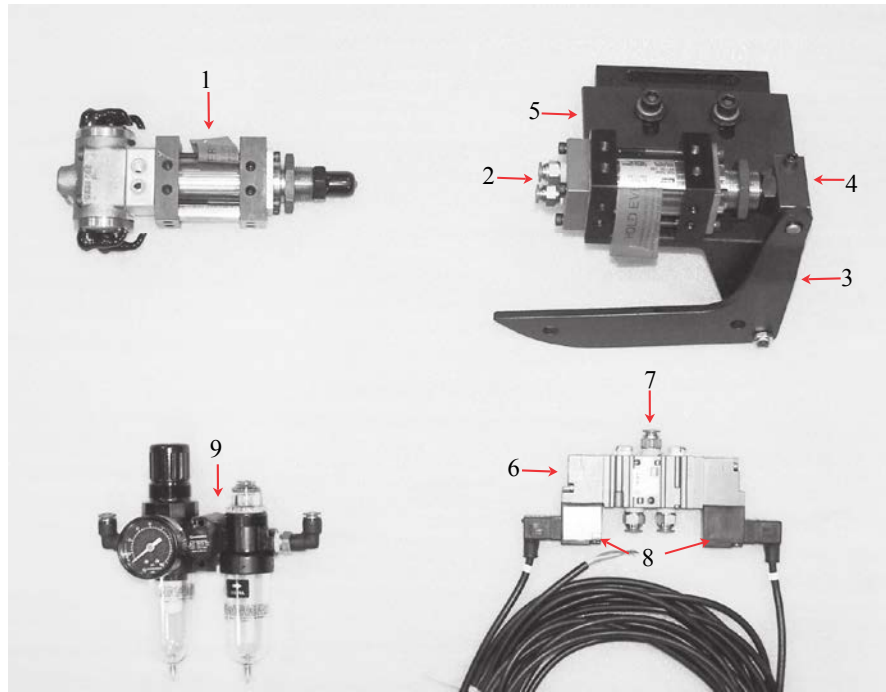
# CAMS



**CAMS**

<b>ITEM</b>	<b>PART #</b>	<b>DESCRIPTION</b>
1	KMS 6076	POCKET OPERATING CAM (SHORT)
2	KMS 6075	POCKET OPERATING CAM (LONG)
3	KMS 9000	PIN
4	KMS 9001	CAM SUPPORT SHAFT
5	KMS 9002	CAM SUPPORT BRACKET
6	KMS 9008	CAM LIFT SHAFT
7	KMS 9009	RETAINING CAP
8	KMS 9007	SPRING RETAINING CUP
9	KMS 1042	SPRING
10	KMS 9004	GEARBOX
11	KMS 9003	BUSHING CUP (under gearbox)
12	KMS 9011	SHAFT COUPLNG
13	KMS 9013	ROD
14	KMS 9012	ADJUST BRACKET
15	KMS 9014	HANDWHEEL
16	KMS 9018	SPACER
17	KMS 9019	WASHER
18		ADJUST SCREW
19		LUBE BLOCK ASSY
20	ET 172	GREASE LINE
21	ET 176	HANDLE-CUT DOWN
22		ADJUSTMENT SCREW BRACKET
23		CLAMP COLLAR
24		CYLINDER ADJUST BRACKET
25	KMS 3130	CYLINDER PIVOT BRACKET
26		1/4 NPT QUICK DISCONNECT
27	KMS 3129	AIR CYLINDER
28		1/4 NPT BREATHER
29	KMS 2202	ROD END
30	KMS 0041	GREASE FITTING
31	KMS 6074	LEVER MOUNTING BRACKET
32	KMS 6073	CAM LIFT LEVER
33	KMS 1015	1" CAM FOLLOWER
34	KMS 1300	CAM SUPPORT SHAFT (3 piece cam)
35		GUIDE BRACKET
36	KMS 1611	POCKET OPER CAM 3 PC. (SHORT)
37	KMS 1612	POCKET OPER CAM 3 PC. (DWELL)
38	KMS 1610	POCKET OPER CAM 3 PC. (LONG)
	KMS 6186	POCKET CLOSING ASSY-COMplete
	INCLUDES 15, 18-38	

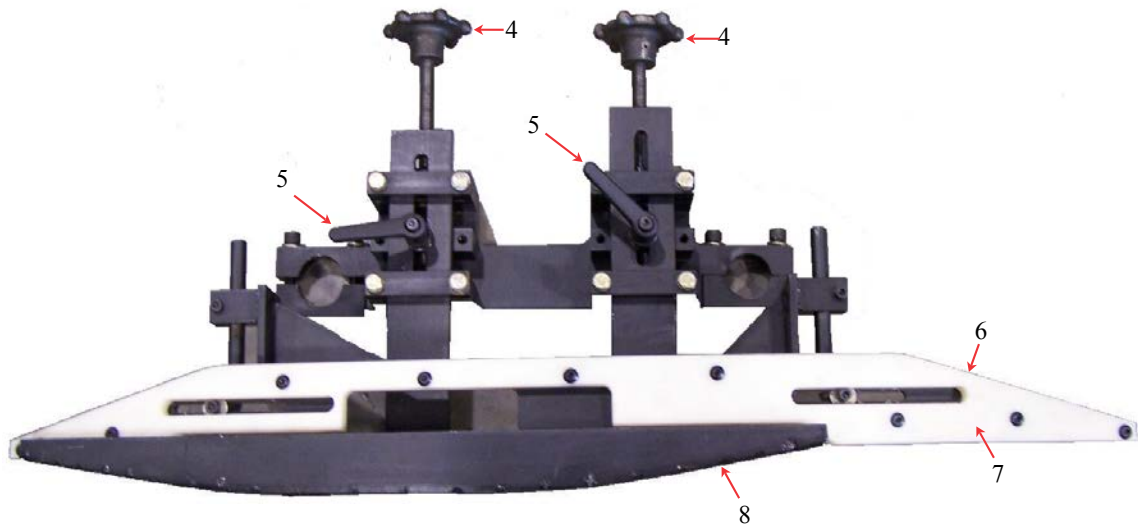
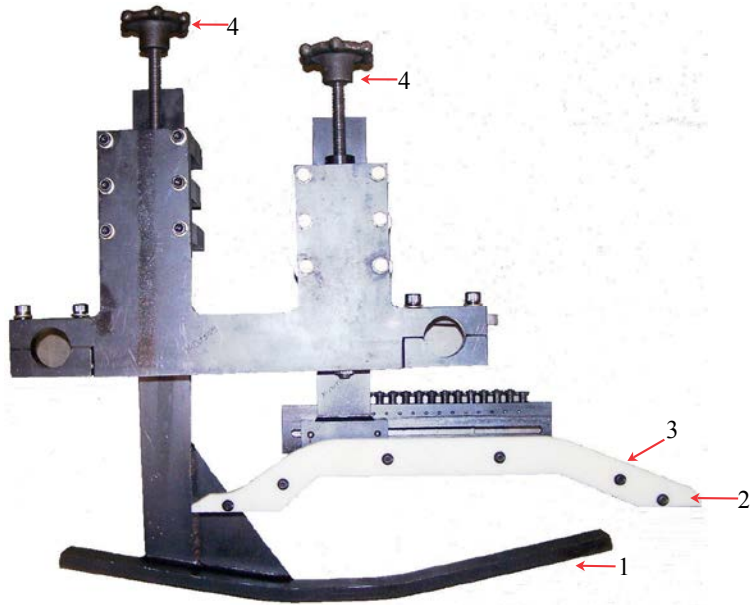
# CAMS



**CAMS**

<b>ITEM</b>	<b>PART #</b>	<b>DESCRIPTION</b>
1	KMS 3117	AIR MOTOR
2	KMS 3117N	AIR MOTOR
3	KMS 3506	DELIVERY INHIBIT CAM
4	KMS 3501	CYLINDER BLOCK
5	KMS 3504	CYLINDER MOUNT
6	KMS 1515	MAC VALVE
7	AF-0025	AIR FITTING
8	KMS 1674	CORD SET
9	KMS 0063	FR/L 1/4"
	KMS 3117K	AIR MOTOR KIT
	INCLUDES: 2 & 6-8	UPGRADE FROM KMS 3117
10	KMS 6083	CAM BRACKET
11	KMS 6185	BOX CAM ASSY
	KMS 3512	SHOULDER SCREW (FOR KMS 3506)

### CAMS AT THE OPENER

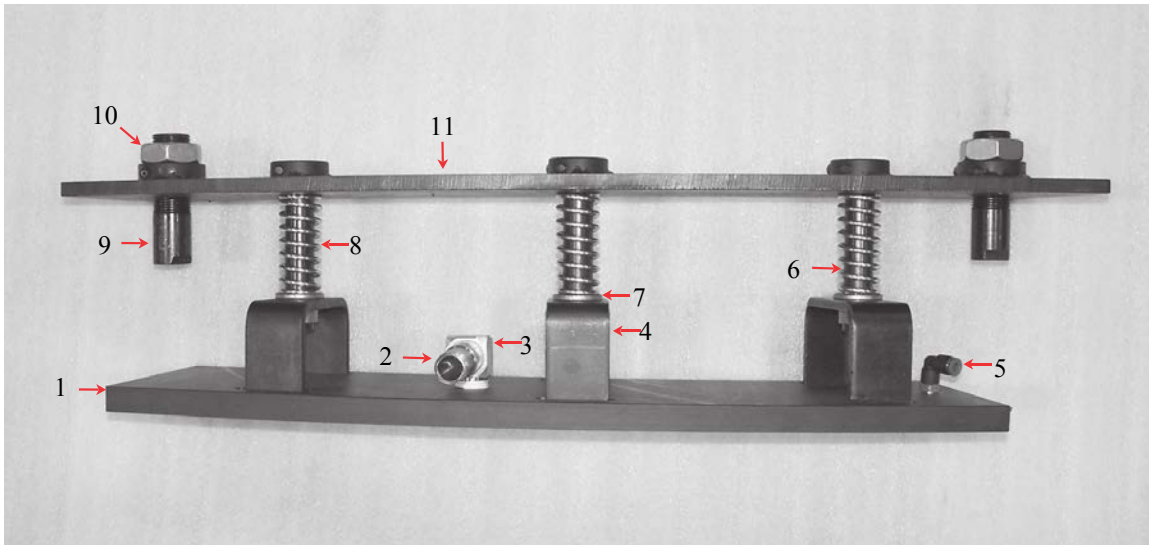




**CAMS AT THE OPENER**

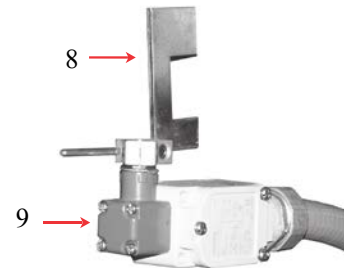
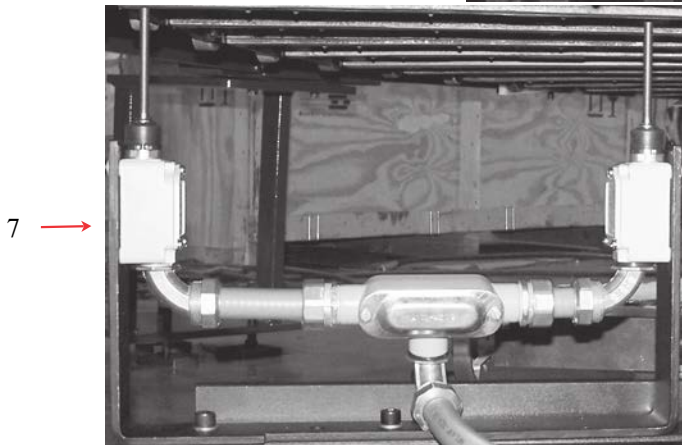
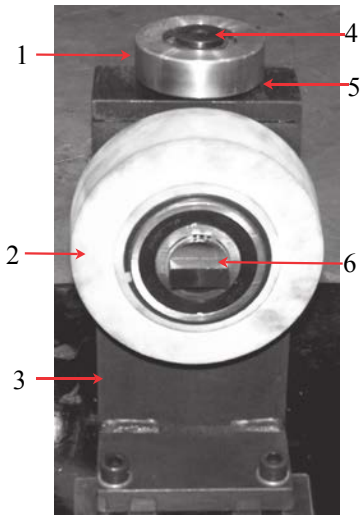
<b>ITEM</b>	<b>PART #</b>	<b>DESCRIPTION</b>
1	KMS 6202	OUTER OPENER JOGGER CAM
2	KMS 6078	OUTER OPENER GRIPPER PAD
3	KMS 6199	OUTER OPENER GRIPPER CAM
4	KMS 0883	HAND KNOB
5	ET 176G	HANDLE
6	KMS 6200	INNER OPENER GRIPPER CAM
7	KMS 6077	INNER OPENER GRIPPER PAD
8	KMS 6201	INNER OPENER JOGGER CAM

## VACUUM ASSEMBLY



ITEM	PART #	DESCRIPTION
1	KMS 9948	VACUUM VALVE SEGMENT
2	KMS 9947	NIPPLE
3	KMS 9946	ELBOW
4	KMS 9944	VACUUM BRACKET
5	HC 4005	QUICK DISCONNECT
6	KMS 9942	VACUUM STUD
7	KMS 9944FB	FLANGE BUSHING
8	KMS 9940	BRACKET SPRING
9	KMS 9945	SUPPORT STUD
10	H-271	JAM NUT
11	KMS 9949	VACUUM MOUNTING BRACKET

### UNDER ROTOR



ITEM	PART #	DESCRIPTION	QTY
1	KMS 2004	HORIZONTAL GUIDE ROLLER	20
	INCLUDES:		
	KMS 2004B	BEARING	1
	KMS 2004R	RETAINING RING	1
2	KMS 2005	VERTICAL SUPPORT ROLLER	20
	INCLUDES:		
	KMS 2005B	BEARING	2
	KMS 2005R	RETAINING RING	1
3	KMS 2139	ROTOR SUPPORT	20
4	KMS 2073	ECCENTRIC STUD	1
5	KMS 2138	ROLLER SPACER	1
6	KMS 2140	ECCENTRIC STUD	1
7	ET 151	DRAG SWITCH	1
8	ET 105F	FLAG	1
9	ET 150	FLAG SWITCH	1

