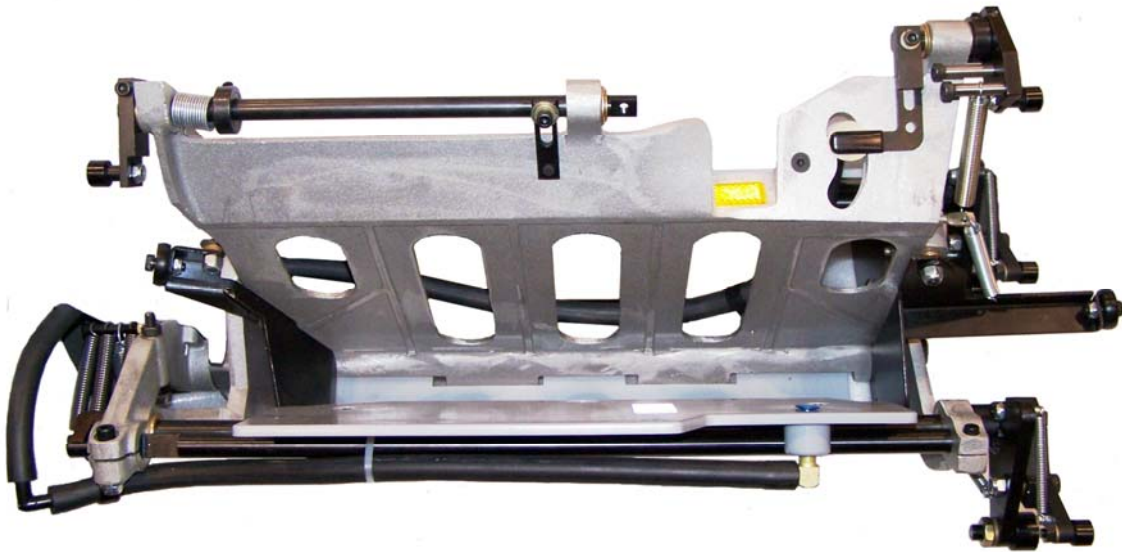
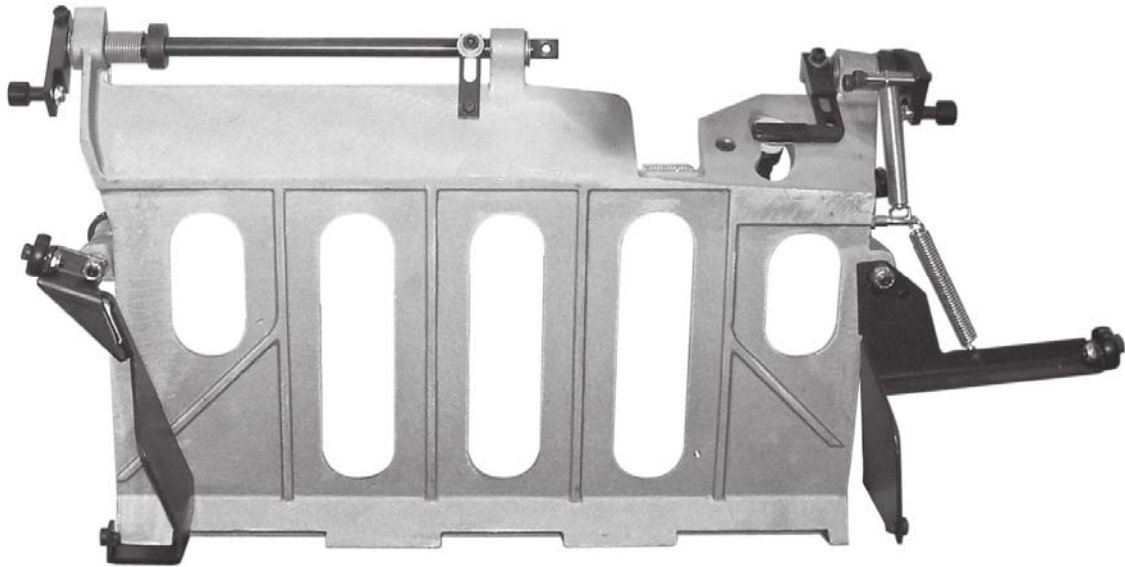


# 630 INSERTER

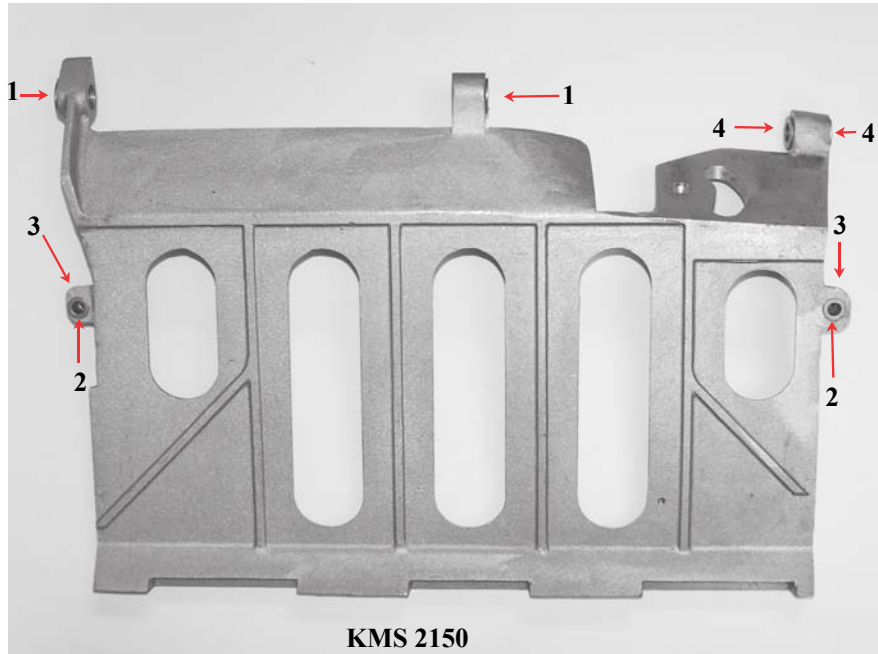


## COMPLETE FIXED POCKET WALL



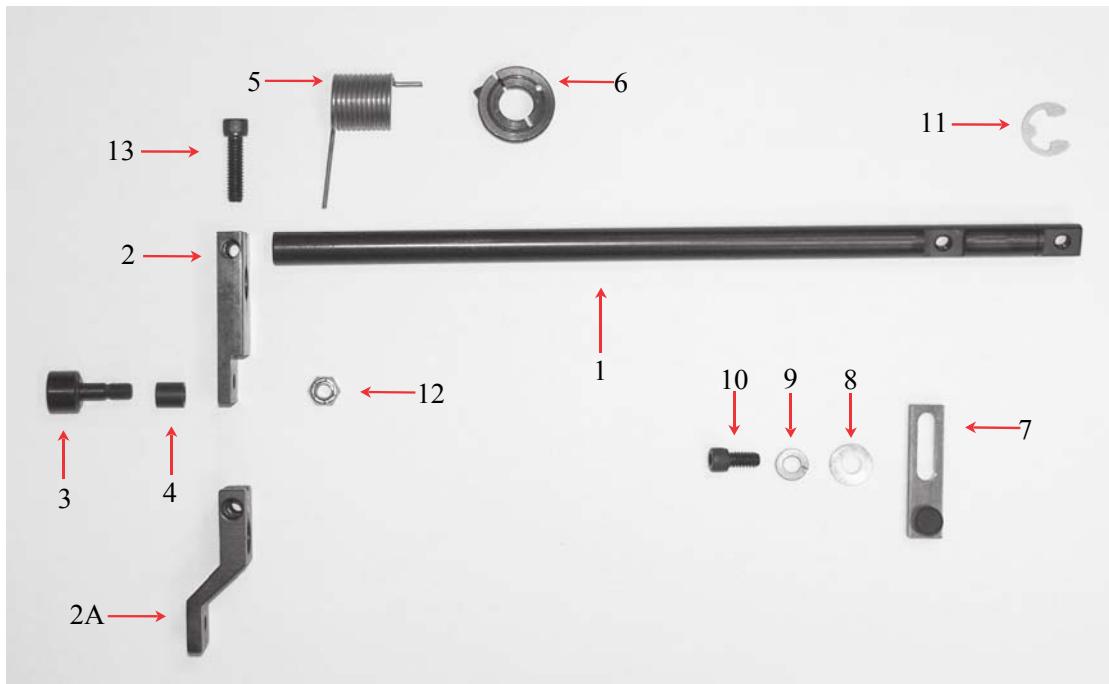
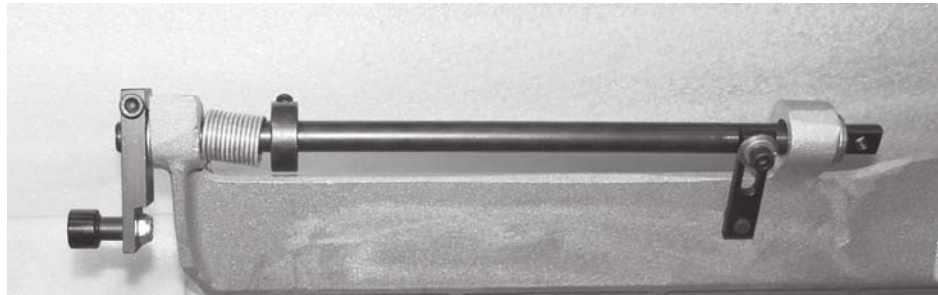
<b>ITEM</b>	<b>PART #</b>	<b>DESCRIPTION</b>	<b>QUANTITY</b>
1	KMS 2150CW	COMPLETE POCKET WALL COMES ASSEMBLED WITH YOUR CHOICE OF GRIPPERS & PADDLES	

# FIXED POCKET WALL



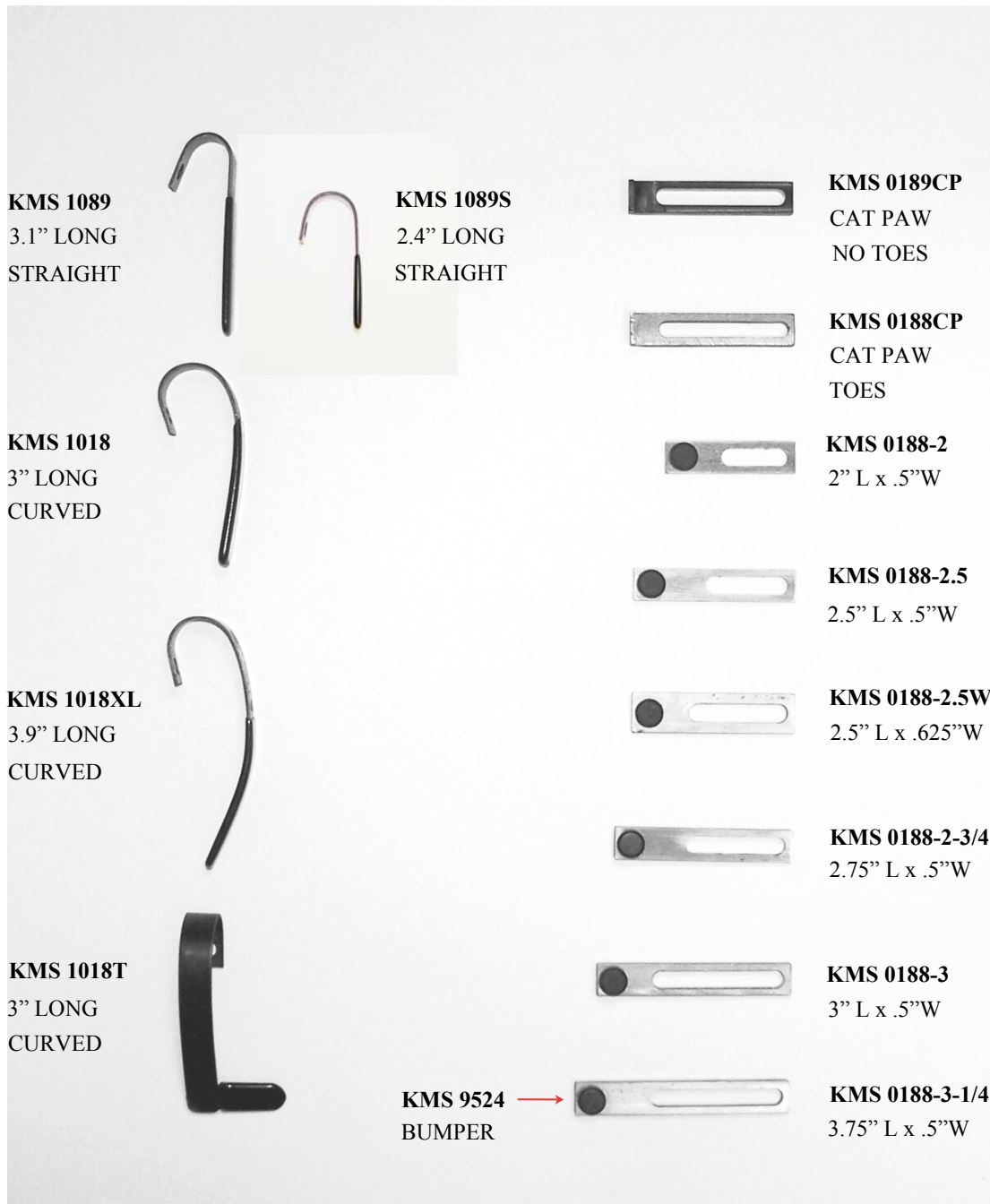
ITEM	PART #	DESCRIPTION	QUANTITY
1	KMS 2078FB	FLANGE BUSHING	2
2	KMS 2077FB	FLANGE BUSHING	2
3	KMS 2077B	BUSHING	2
4	KMS 1098FB	FLANGE BUSHING	2
ATTACHES TO ROTOR			
	H-114	SOCKET HD CAPSCREW	
	H-147	HEX NUT	
	H-146	LOCK WASHER	

# FIXED POCKET WALL

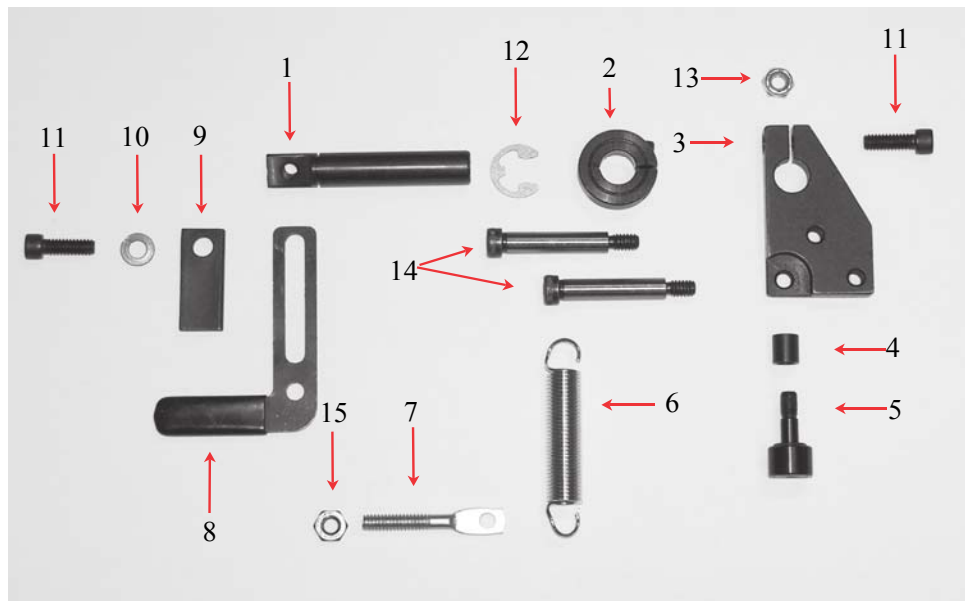
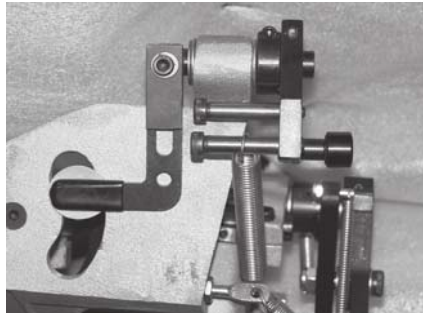


ITEM	PART #	DESCRIPTION	QUANTITY
1	KMS 2078	GRIPPER SHAFT	1
2	KMS 1099	GRIPPER LEVER	1
2A	KMS 1099A	GRIPPER LEVER (2299&630)	
3	KMS 2020	5/8" CAM FOLLOWER	1
4	KMS 0122	STUD ROLL	1
5	KMS 2062	SPRING	1
6	KMS 0123	JOGGING COLLAR	1
7	KMS 0188-2	2" LAP GRIPPER	1
8	H-150	WASHER	1
9	H-120	LOCK WASHER	1
10	H-001	SOCKET HD CAPSCREW	1
11	KMS 0154	RING	1
12	H-200	LOCK NUT	1
13	H-187	SOCKET HD CAPSCREW	1

## CENTER POCKET GRIPPERS

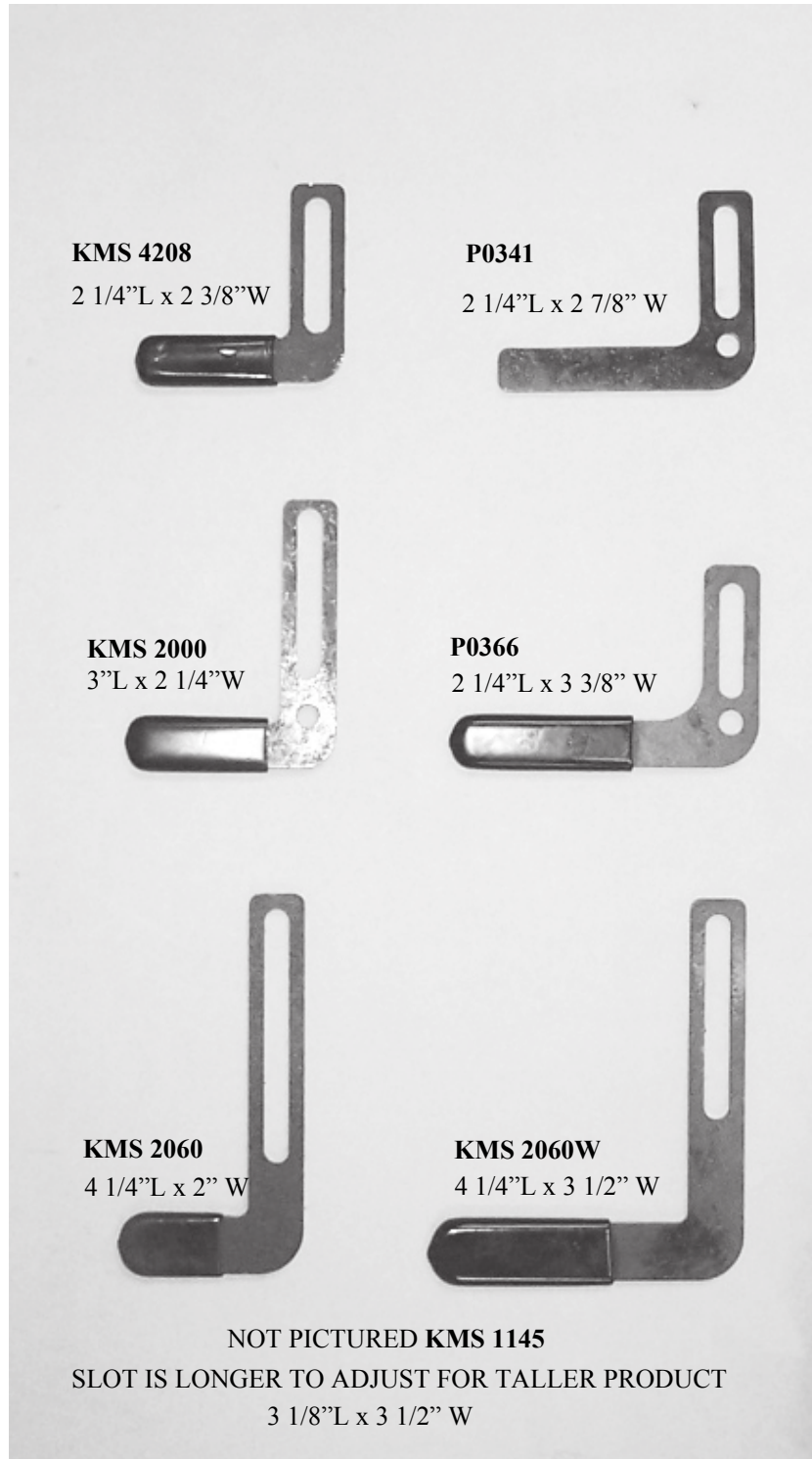


# FIXED POCKET WALL

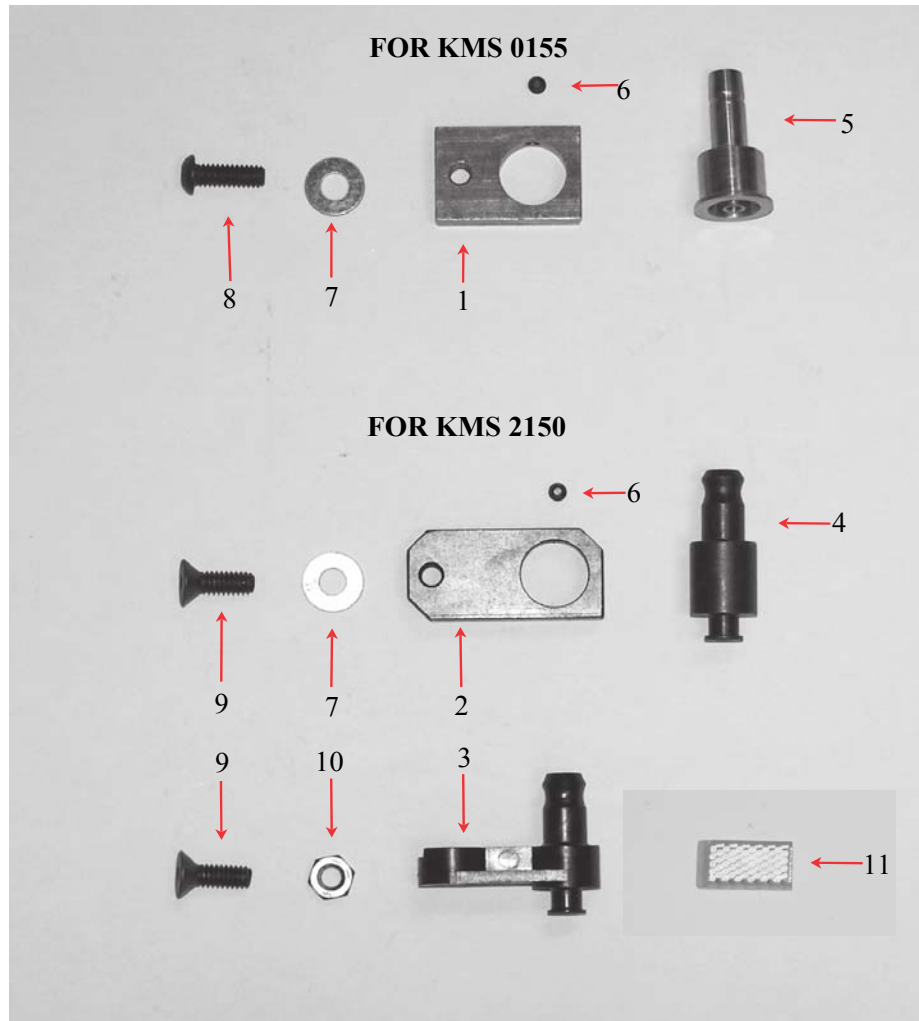


ITEM	PART #	DESCRIPTION	QUANTITY
1	KMS 1098	GRIPPER SHAFT	1
2	KMS 5811	1/2" SINGLE SPLIT COLLAR	1
3	KMS 0126	GRIPPER AUX. LEVER	1
4	KMS 0122	STUD ROLL	1
5	KMS 2020	5/8" CAM FOLLOWER	1
6	KMS 2065	SPRING	1
7	KMS 2069	HANGER BOLT	1
8	KMS 2000	GRIPPER	1
9	KMS 0124	BACK UP LUG	1
10	H-120	LOCK WASHER	1
11	H-190	SOCKET HD CAPSCREW	2
12	KMS 0154	RING	1
13	H-200	LOCK NUT	1
14	KMS 0151	SHOULDER BOLT	2
15	H-220	JAM NUT	1

## OUTER POCKET GRIPPERS



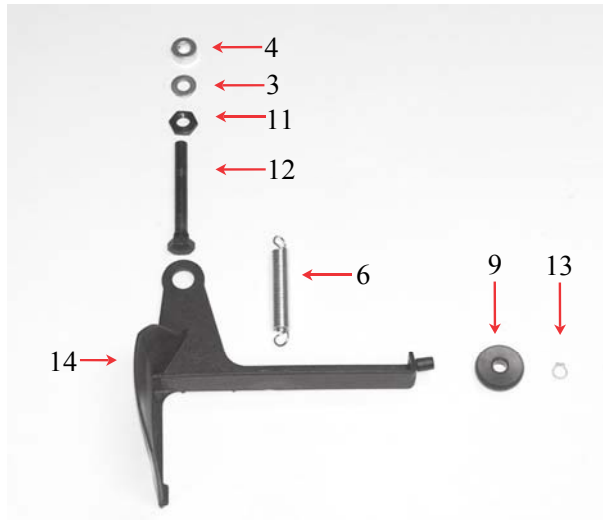
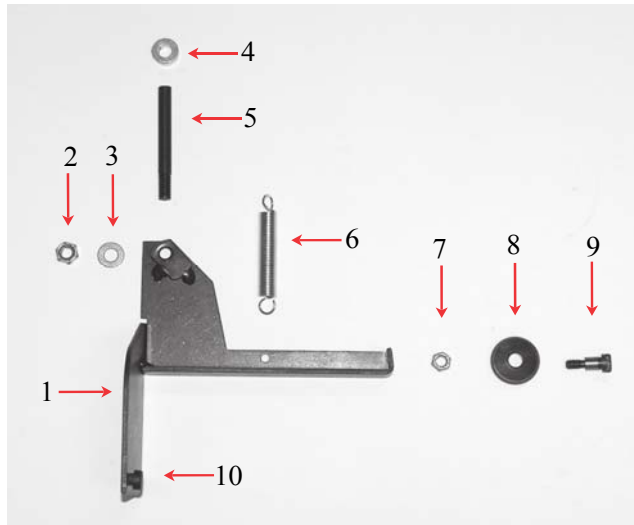
# FIXED POCKET WALL



ITEM	PART #	DESCRIPTION	QUANTITY
1	KMS 0125-2	SUCKER BLOCK	1
2	KMS 0125	SUCKER BLOCK	1
3	KMS 6121	SUCKER HEAD	1
4	KMS 0152	SUCKER HEAD	1
5	KMS 0103	SUCKER HEAD	1
6	H-274	SET SCREW	1
7	H-196	WASHER	1
8	H-273	BUTTON HD CAPSCREW	1
9	H-157	FLAT HEAD	1
10	H-220	JAM NUT	1
11	KMS 4110YR1/2	REFLECTOR	1

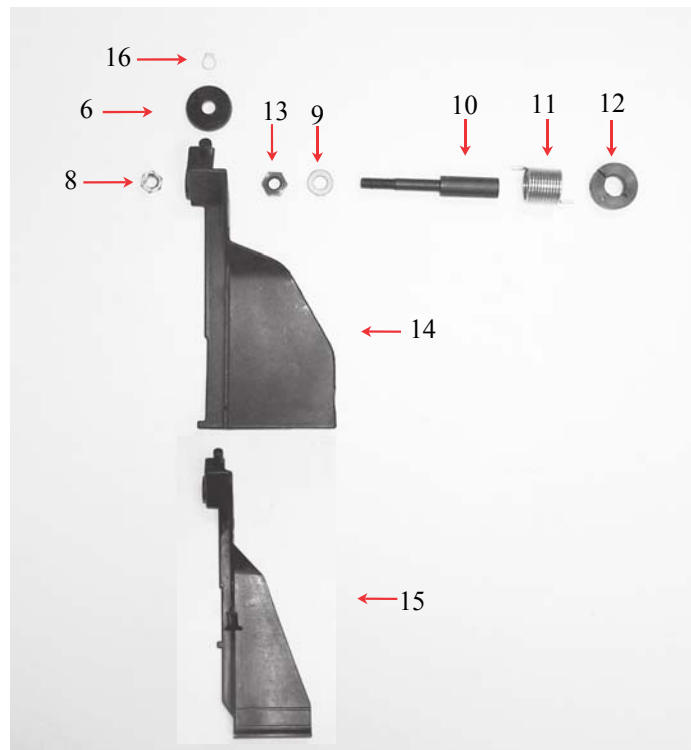
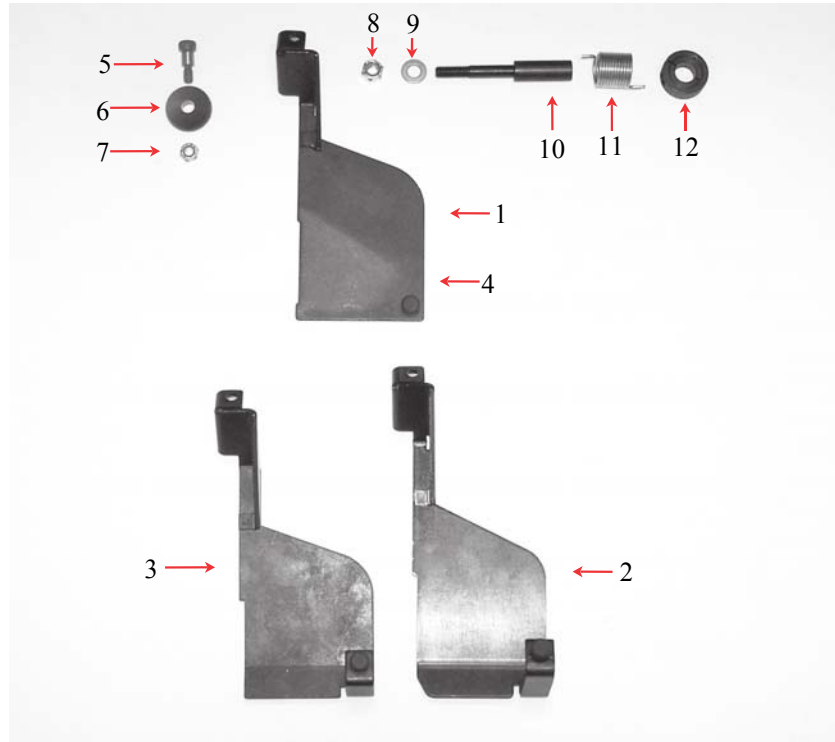


## OUTSIDE PADDLES



ITEM	PART #	DESCRIPTION	QUANTITY
1	KMS 1082	PADDLE	1
2	H-110	LOCK NUT	1
3	KMS 1082W	THRUST WASHER	1
4	KMS 0177	COLLAR	1
5	KMS 2070	JOGGER PIVOT PIN	1
6	KMS 2063	SPRING	1
7	H-203	LOCK NUT	1
8	KMS 1084	ROLLER	1
9	H-214	SHOULDER BOLT	1
10	KMS 9524	BUMPER	1
11	KMS 1082N	OUTSIDE PADDLE NUT	1
12	KMS 1082B	JOGGER PIVOT PIN	1
13	KMS 1082R	RING	1
14	KMS 1082P	PLASTIC PADDLE	1

# INSIDE PADDLES



**INSIDE PADDLES**

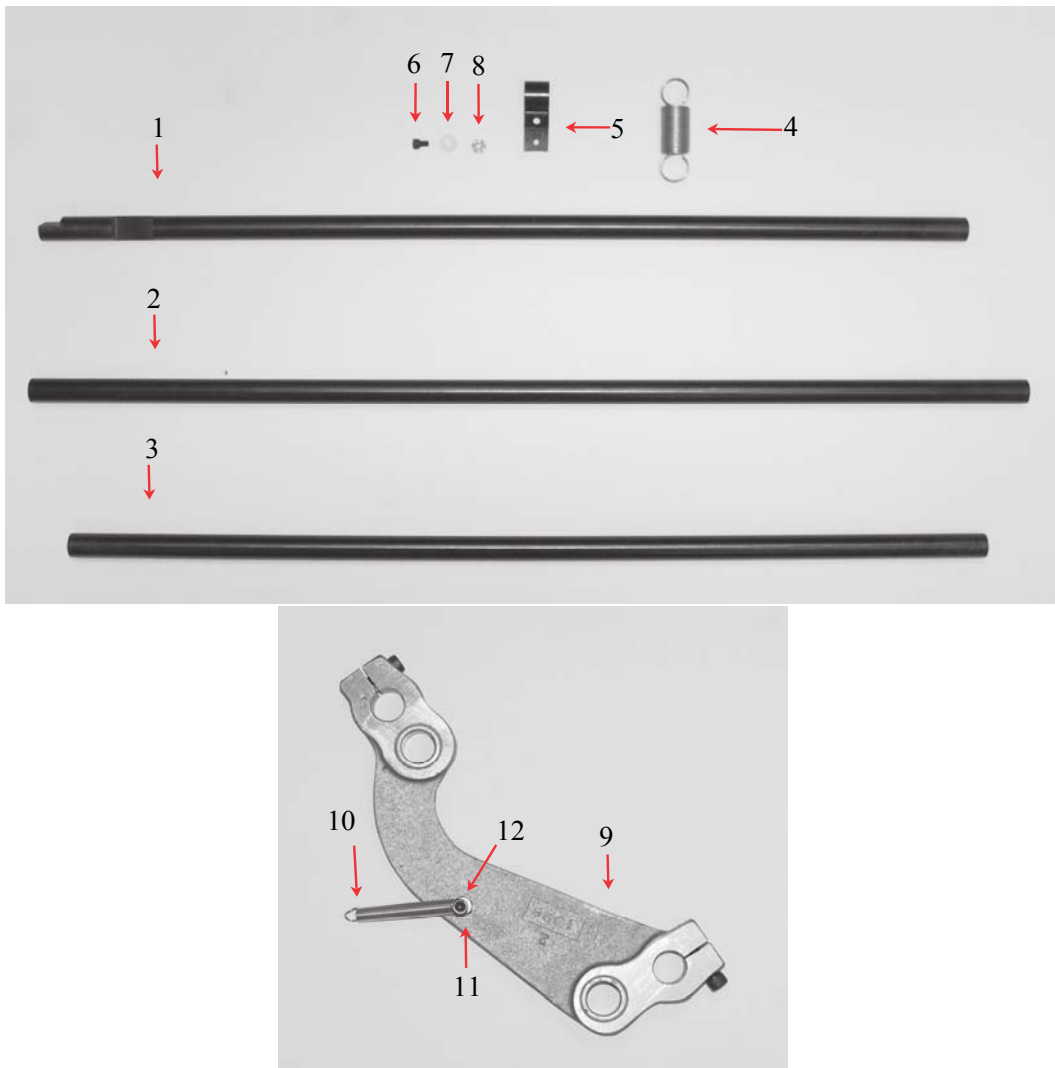
<b>ITEM</b>	<b>PART #</b>	<b>DESCRIPTION</b>	<b>QUANTITY</b>
1	KMS 1019	PADDLE	1
&	KMS 2019	PADDLE WITH WELDNUT	
2	KMS 1763	PADDLE-48" WEB	1
3	KMS 2019S	PADDLE-50" WEB	1
		PADDLES COME WITH BUMPER	
4	KMS 9524	RUBBER BUMPER	1
5	H-214	SHOULDER BOLT	1
6	KMS 1084	JOGGING PADDLE ROLLER	1
7	H-203	LOCK NUT	1
8	H-110	LOCK NUT	1
9	KMS 1082W	WASHER	1
10	KMS 2077	INSIDE JOGGER PIN	1
11	KMS 2061	SPRING	1
12	KMS 0123	COLLAR	1
13	KMS 2019N	INSIDE PADDLE NUT	1
14	KMS 2019P	PLASTIC PADDLE	1
15	KMS 1980	PLASTIC PADDLE-42/44" WEB	1
16	KMS 1082R	RING	1

## MOVABLE POCKET WALL



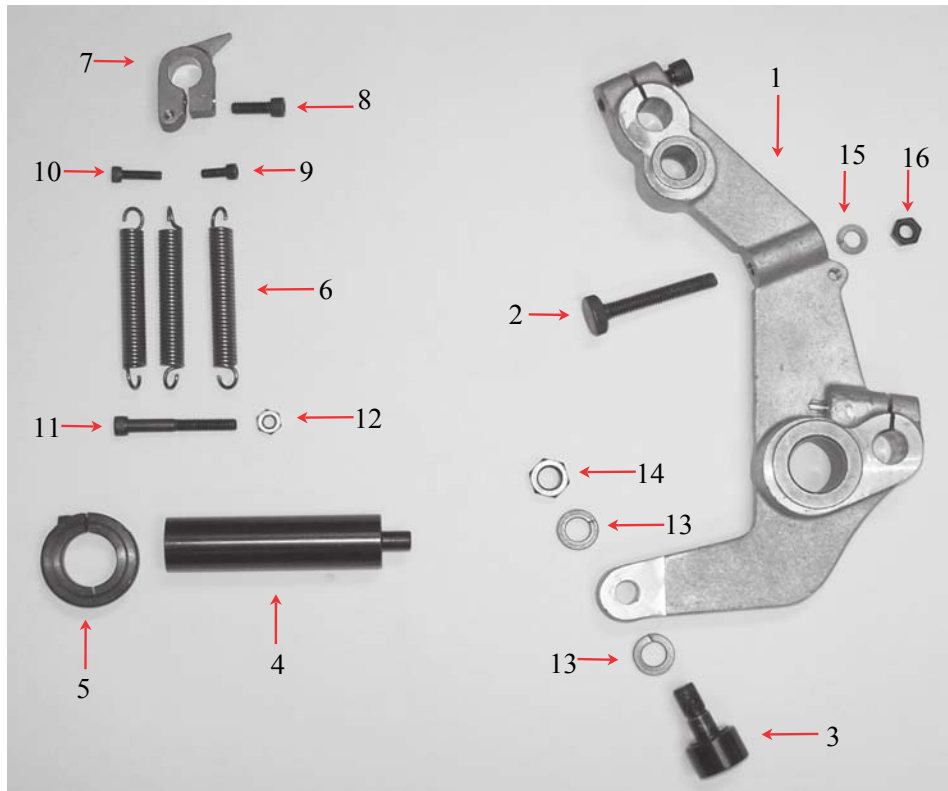
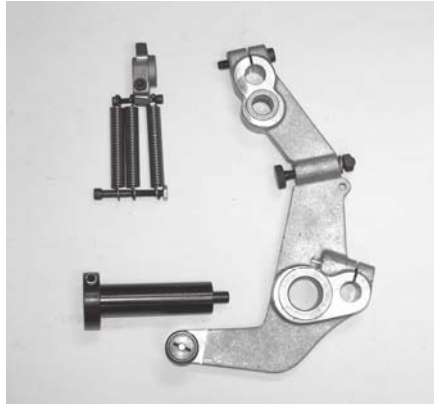
ITEM	PART #	DESCRIPTION	QUANTITY
1	KMS 1983	MOVABLE POCKET WALL 42/44"	1
2	KMS 1059AL	MOVABLE POCKET WALL	1
3	KMS 1059E	ELBOW	1
4	R-001	REFLECTIVE TAPE	1
5	R-001B	REFLECTIVE TAPE	1
6	KMS 2132	POCKET CLAMP BLOCK	1
7	H-250	SOCKET HD CAPSCREW	1
8	H-272	BUTTON HD CAPSCREW	1

## MOVABLE POCKET WALL



ITEM	PART #	DESCRIPTION	QUANTITY
1	KMS 2133	MOVABLE POCKET SHAFT	1
2	KMS 2134	MOVABLE POCKET SHAFT	1
3	KMS 2152	MOVABLE POCKET SHAFT	1
4	KMS 2066	SPRING (POCKET RETURN)	1
5	KMS 2068	SPRING CLAMP	1
6	H-182	SOCKET HD CAPSCREW	1
7	H-275	FLAT WASHER	1
8	H-255	NYLON LOCKNUT	1
9	KMS 1086	PARALLEL LEVER	1
	INCLUDES		
	H-187	SOCKET HD CAPSCREW	2
	KMS 1086B	BUSHING	2
10	KMS 3114	SPRING	1
11	H-276	SOCKET HD CAPSCREW	1
12	H-277	JAM NUT	1

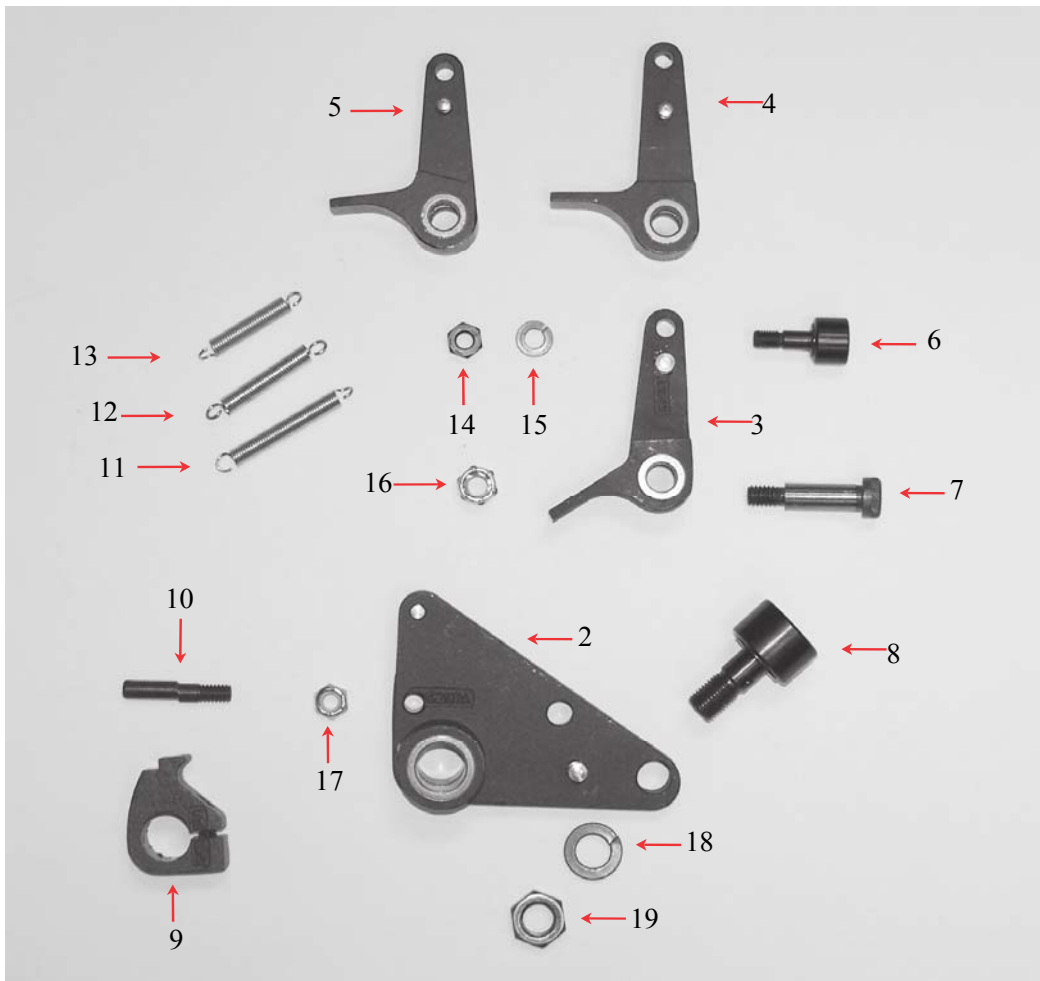
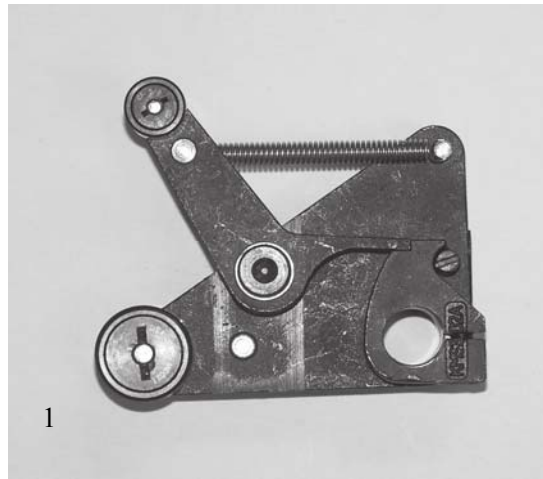
# MOVABLE POCKET WALL



**MOVABLE POCKET WALL**

<b>ITEM</b>	<b>PART #</b>	<b>DESCRIPTION</b>	<b>QUANTITY</b>
1	KMS 1095	POCKET OPERATING LEVER	1
	INCLUDES		
	KMS 1095FB	LARGE FLANGE BUSHING	1
	KMS 1095B	SMALL FLANGE BUSHING	1
	H-165	SOCKET HD CAPSCREW	1
2	KMS 2130	ADJUSTING SCREW	1
3	KMS 1015	CAM FOLLOWER 1"	1
4	KMS 2131	POCKET INSIDE STUD	1
5	KMS 5028	COLLAR	1
6	KMS 2007	STOP LEVER SPRING	3
7	KMS 2129	STOP LEVER	1
8	H-190	SOCKET HD CAPSCREW	1
9	H-149	SOCKET HD CAPSCREW	1
10	H-155	SOCKET HD CAPSCREW	1
11	H-158	SOCKET HD CAPSCREW	1
12	H-220	JAM NUT	1
13	H-153	LOCK WASHER	2
14	H-152	JAM NUT	1
15	H-164	LOCK WASHER	1
16	H-278	FULL NUT	1

# POCKET INHIBIT LATCH ASSY (ARS)

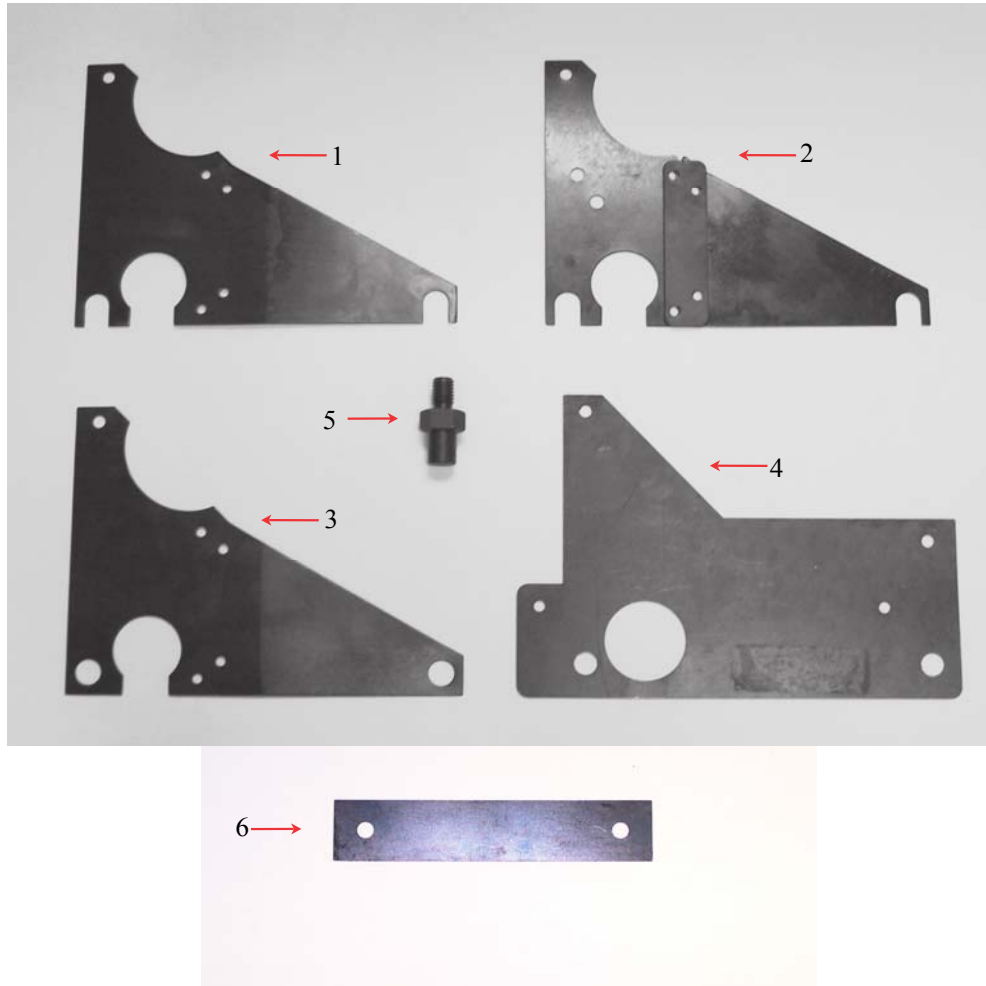




**ARS ASSEMBLY**

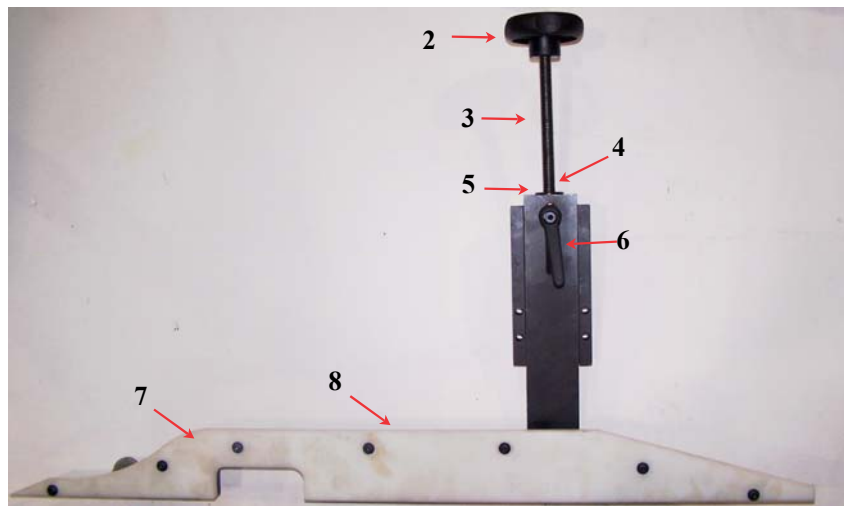
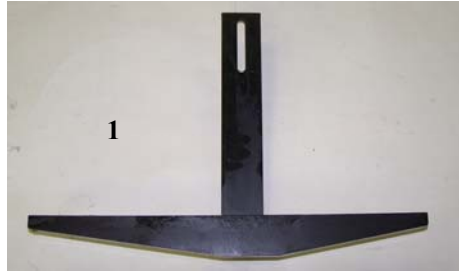
<b>ITEM</b>	<b>PART #</b>	<b>DESCRIPTION</b>	<b>QUANTITY</b>
1	KMS 3111	POCKET INHIBIT LATCH ASSY	1
2	KMS 3107	POCKET OPERATING LEVER	1
	INCLUDES		
	KMS 3112	BUSHING	2
	KMS 9736	PIN	1
	KMS 3103P	PIN	1
3	KMS 3103	SILENCING LEVER	1
	INCLUDES		
	KMS 3113	BUSHING	2
	KMS 3103P	PIN	1
4	KMS 3103B	SILENCING LEVER	1
	INCLUDES		
	KMS 3113	BUSHING	2
	KMS 9736	PIN	1
5	KMS 3103A	SILENCING LEVER	1
	INCLUDES		
	KMS 3113	BUSHING	2
	KMS 9736	PIN	1
6	KMS 2020	5/8" CAM FOLLOWER	1
7	H-198	SHOULDER BOLT	1
8	KMS 1015	1" CAM FOLLOWER	1
9	KMS 3102	SILENCING LOCK	1
10	KMS 3101	ECCENTRIC STOP	1
11	KMS 3115	SPRING 2"	1
	KMS 3118	SPRING 2" HEAVY DUTY	1
12	KMS 3115A	SPRING 1.75"	1
13	KMS 3115B	SPRING 1.5"	1
14	H-279	FULL NUT	1
15	H-120	LOCK WASHER	1
16	H-110	NYLON LOCKNUT	1
17	H-249	NYLON LOCKNUT	1
18	H-153	LOCK WASHER	1
19	H-152	JAM NUT	1

## POCKET TIES



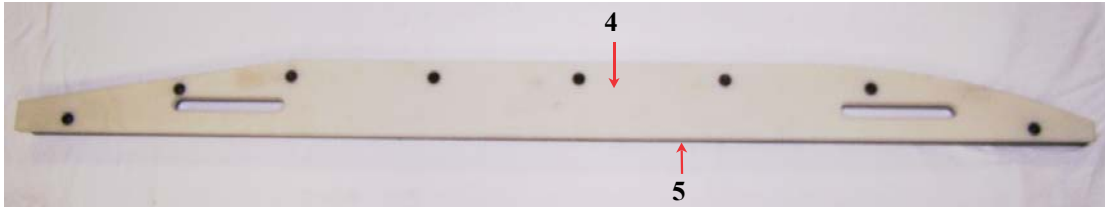
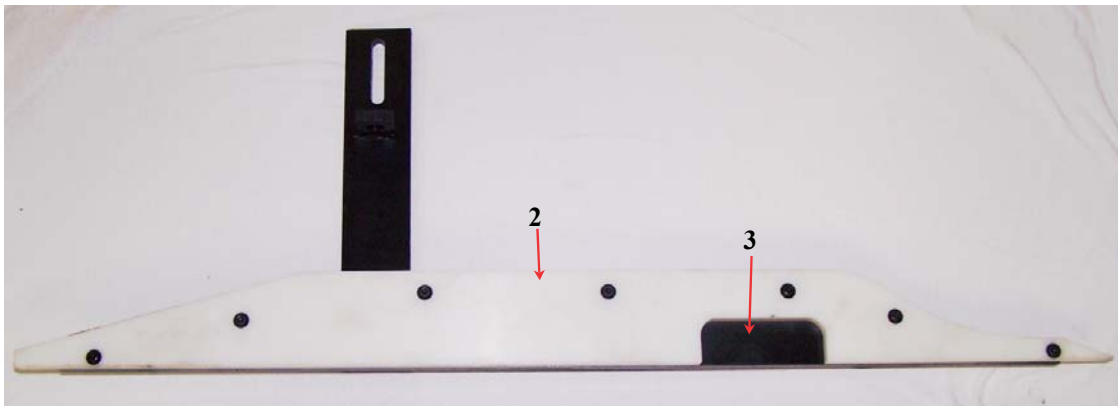
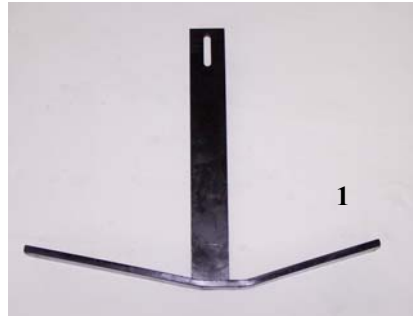
ITEM	PART #	DESCRIPTION	QUANTITY
1	KMS 0106	POCKET TIE	1
2	KMS 0110	POCKET TIE ASSY	1
	ASSEMBLES WITH		
	H-241	BUTTON HD CAPSCREW	4
	H-281	LOCK NUT	4
3	KMS 0106S	POCKET TIE (2299)	1
4	KMS 6116	POCKET TIE (630 & G60)	1
	MOUNTS WITH		
	H-280	SHOULDER BOLT	1
5	KMS 0105	STUD	1
6	KMS 6058	INSIDE POCKET TIE	1

## INSIDE IDLER & INSIDE DELIVERY CAMS



ITEM	PART #	DESCRIPTION
1	KMS 6205	JOGGER CAM
2	KMS 1260	HANDLE
3	KMS 6191	THREADED ROD
4	KMS 0884	COLLAR
5	KMS 1283	½" THRUST WASHER
6	ET 176G	HANDLE
7	KMS 6167	GRIPPER CAM PAD
8		GRIPPER CAM

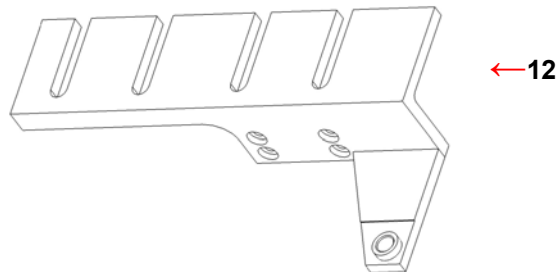
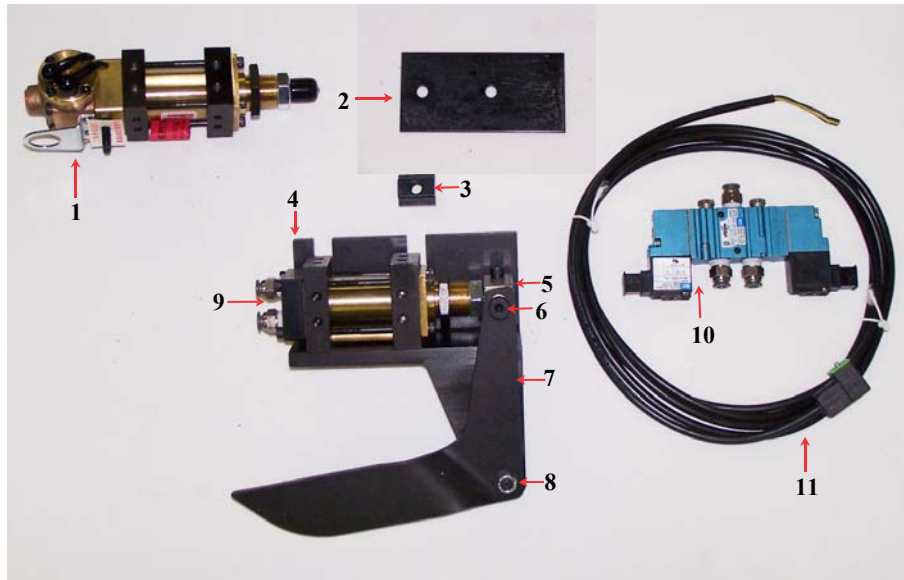
## OUTSIDE IDLER & OUTSIDE DELIVERY CAMS



↑  
6

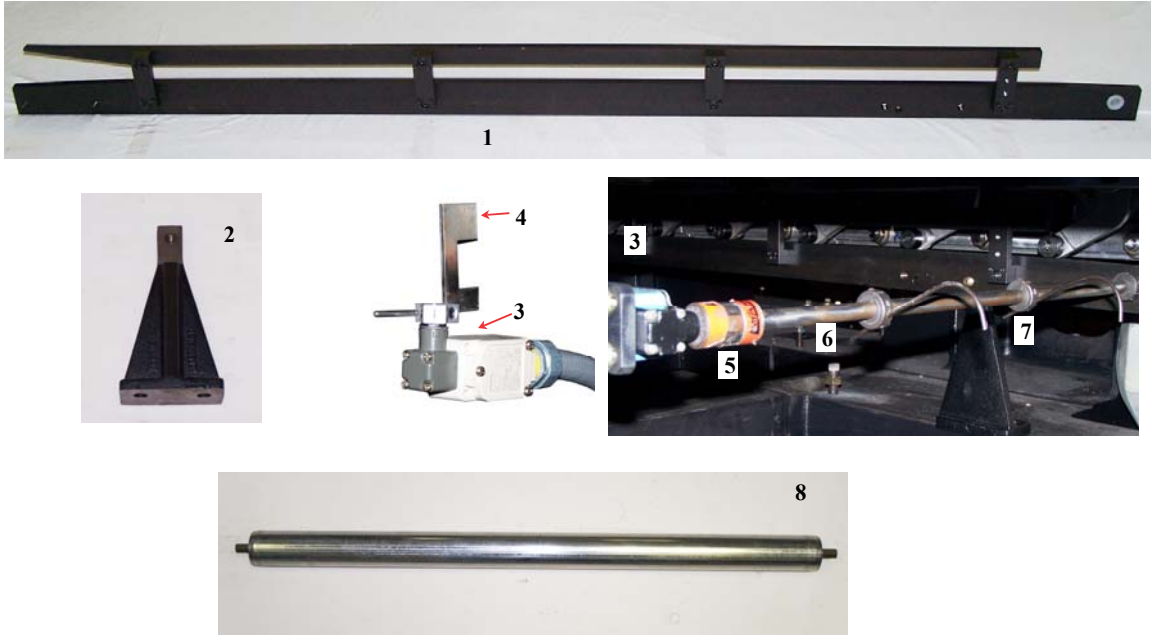
ITEM	PART #	DESCRIPTION
1	SL0472	JOGGER CAM
2	KMS 6167	GRIPPER CAM PAD
3		GRIPPER CAM
4	KMS 6204	DELIVERY CAM PAD-OPTION
5		DELIVERY CAM
6	KMS 6081	DELIVERY CAM PAD-OPTION

## IDLER & DELIVERY INHIBIT



ITEM	PART #	DESCRIPTION
1	KMS 3117	AIR MOTOR
2	KMS 6160	SHIM
3	KMS 3511	T NUT
4	KMS 6130	CYLINDER MOUNT
5	KMS 6129	CYLINDER BLOCK
6	H-217	SHOULDER BOLT
7	KMS 6131	DELIVERY INHIBIT CAM
8	H-244	SHOULDER BOLT
9	KMS 3117N	AIR MOTOR (NEW STYLE)
10	KMS 1515	MAC VALVE
11	KMS 1674	CORD
	<u>KMS 3117K AIR MOTOR KIT</u>	
	INCLUDES 9,10 & 11	TO REPLACE KMS 3117 AIR MOTOR
12	SL0500	CYLINDER MOUNT

### BOX CAM AND PAPER DRAG SWITCHES

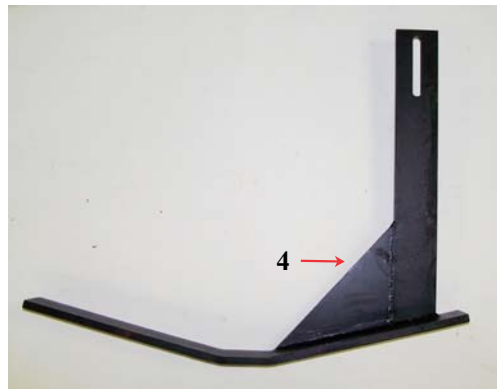


ITEM	PART #	DESCRIPTION
1	SL0491	BOX CAM ASSEMBLY
2	KMS 6083	CAM BRACKET
3	ET 150	FLAG SWITCH (INCLUDES #4)
4	ET 150F	FLAG
5	KMS 1784	LOVEJOY COUPLING
6	SL0408	PAPER DRAG SHAFT
7	SL0410	CLAMP ASSY
8	KMS 1779	KNOCK DOWN ROLLER

### OUTSIDE OPENER CAMS

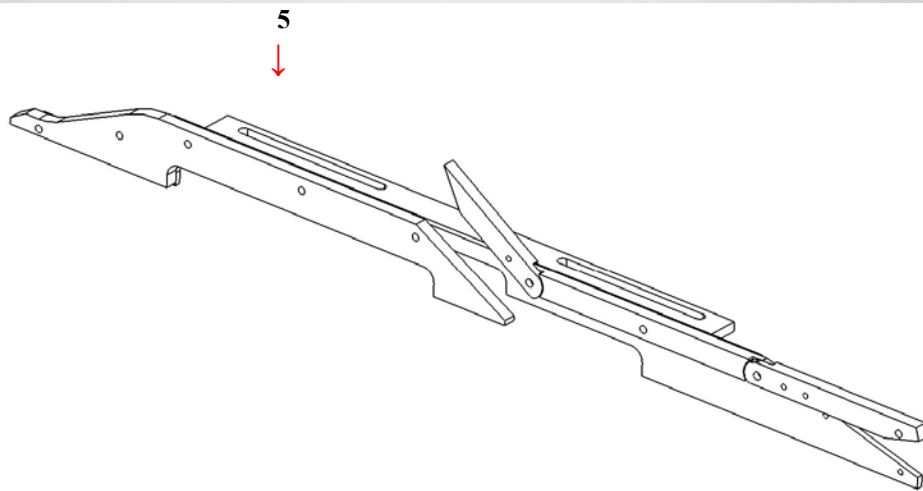
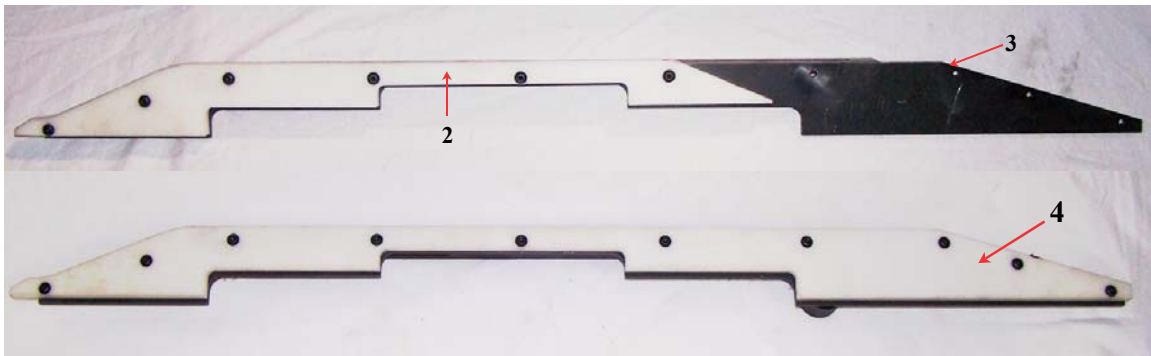
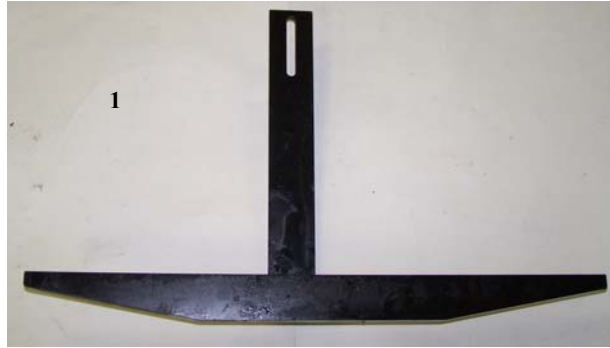


### BUMPER CAM AFTER OPENER



ITEM	PART #	DESCRIPTION
1	OS13-11	JOGGING CAM
2	KMS 6162	GRIPPER CAM
3	KMS 6161	GRIPPER CAM PAD
4	OS13-164	JOGGING CAM

### INSIDE OPENER CAMS

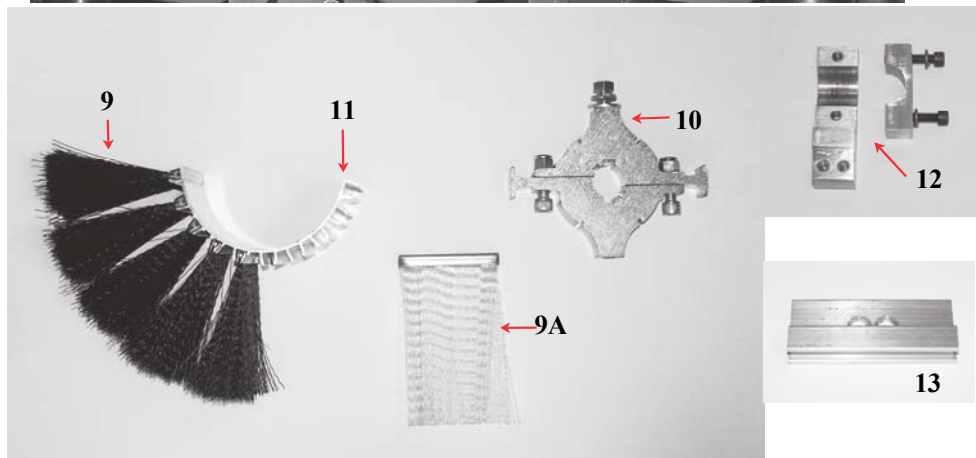
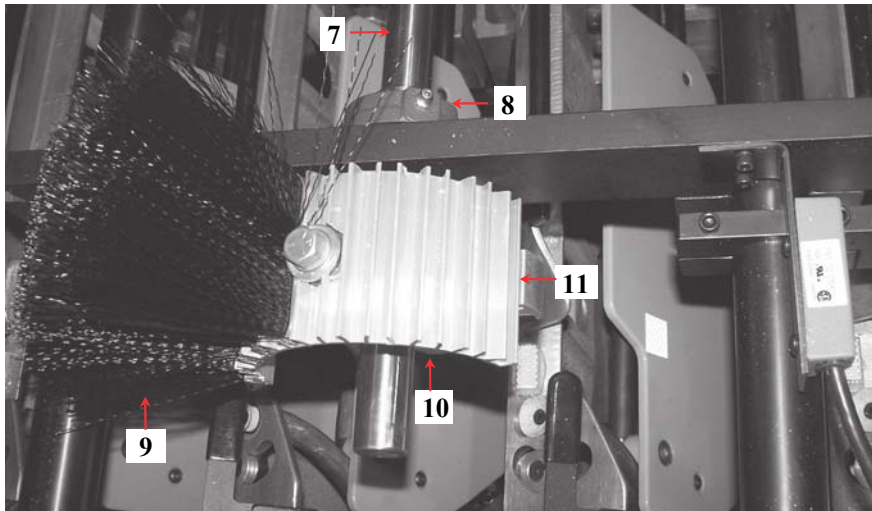
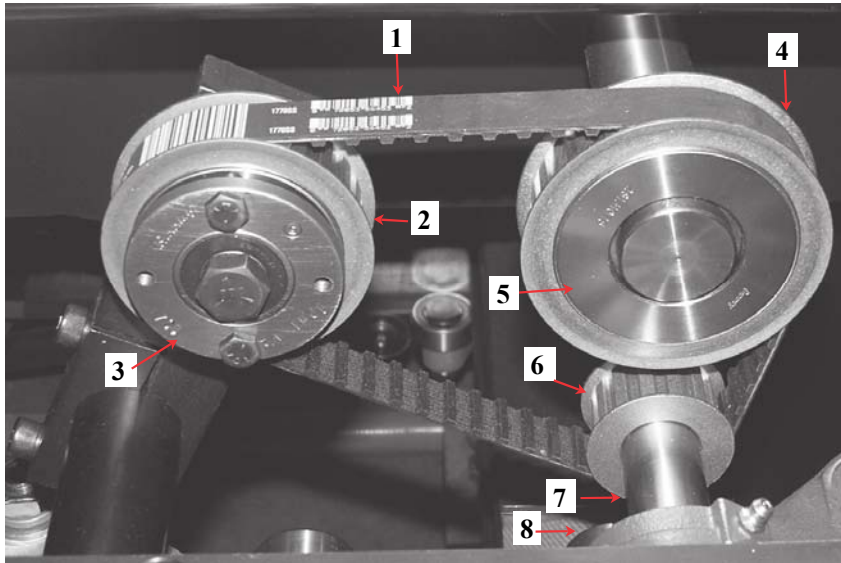




**INSIDE OPENER CAMS**

<b>ITEM</b>	<b>PART #</b>	<b>DESCRIPTION</b>
1	KMS 6166	INNER OPENER JOGGING CAM
2	KMS 6171	LEFT FIXED CAM PAD
3	KMS 6164	INNER OPENER GRIPPER CAM
4	KMS 6163	INNER OPENER GRIPPER CAM PAD
5		INNER OPENER CLIP CAM ASSY

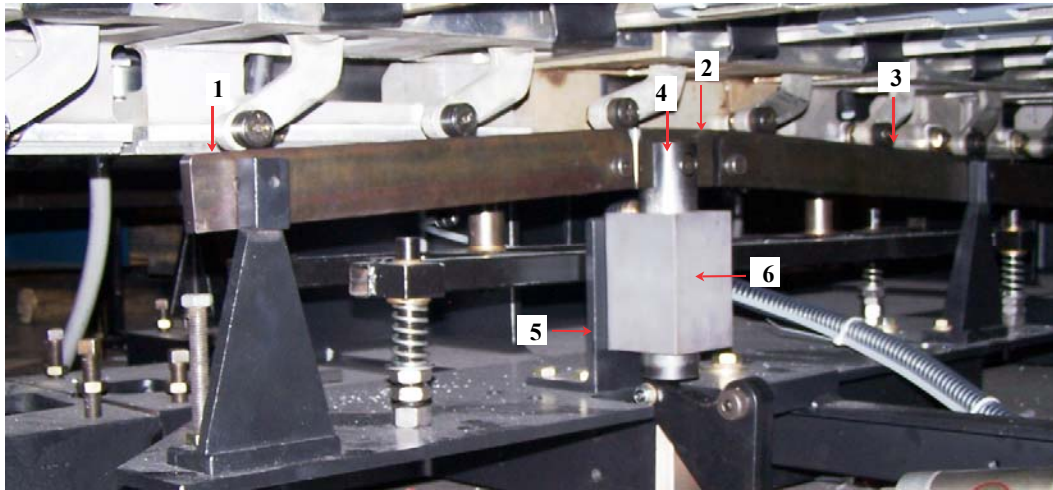
# OPENER STATION



## OPENER STATION

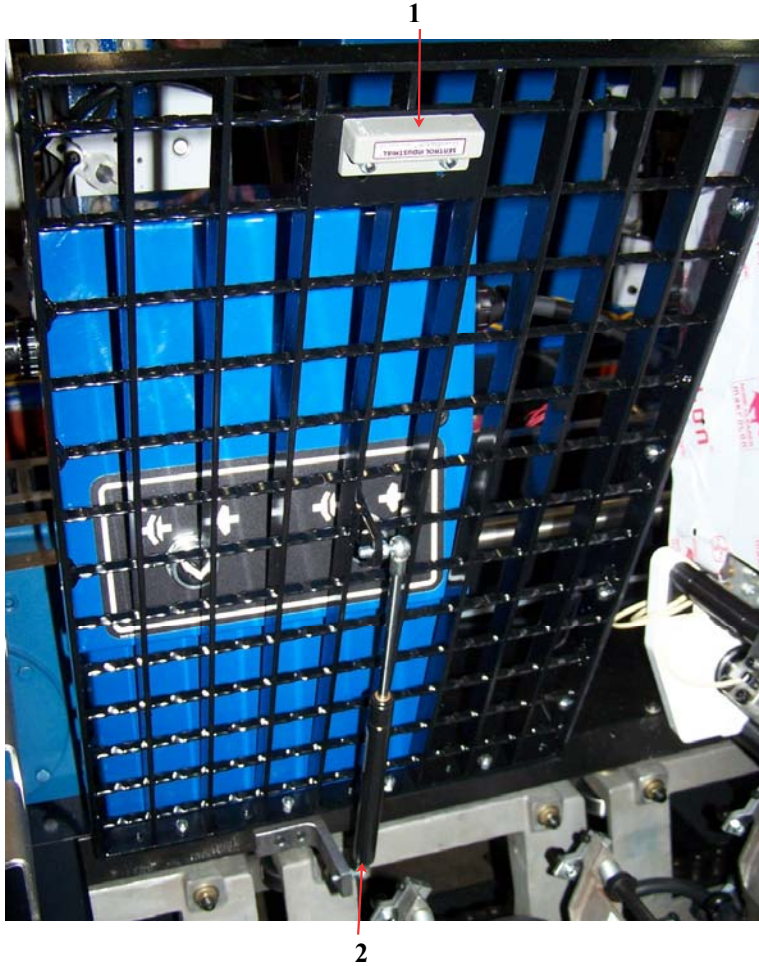
ITEM	PART #	DESCRIPTION
1	KMS 1262	BELT
2	KMS 1263	IDLER PULLEY
3	KMS 1269	IDLER BUSHING
4	KMS 1264	PULLEY
5	KMS 1265	PULLEY
6	KMS 1266	TAPERLOCK
7	KMS 6154	ROUND ROD
8	KMS 0986	BEARING
9	KMS 2010	BLACK BRUSH
9A	KMS 2010W	WHITE BRUSH
	<b>BB3000</b>	<b>BIG BRUSH OPENER KIT</b>
	INCLUDES 9, 10 & 11	
10	BB 3002	HARDWARE FOR BB 3000
11	KMS 6090	CENTER FLANGE
	<b>BB 2000</b>	<b>SPEED BRUSH ASSY</b>
	INCLUDES 12, 2-13 & 2- 9A	
12	BB2000C	CLAMP
13	KMS 2010H	BRUSH HOLDER

**POCKET CLOSING CAM ASSEMBLY**



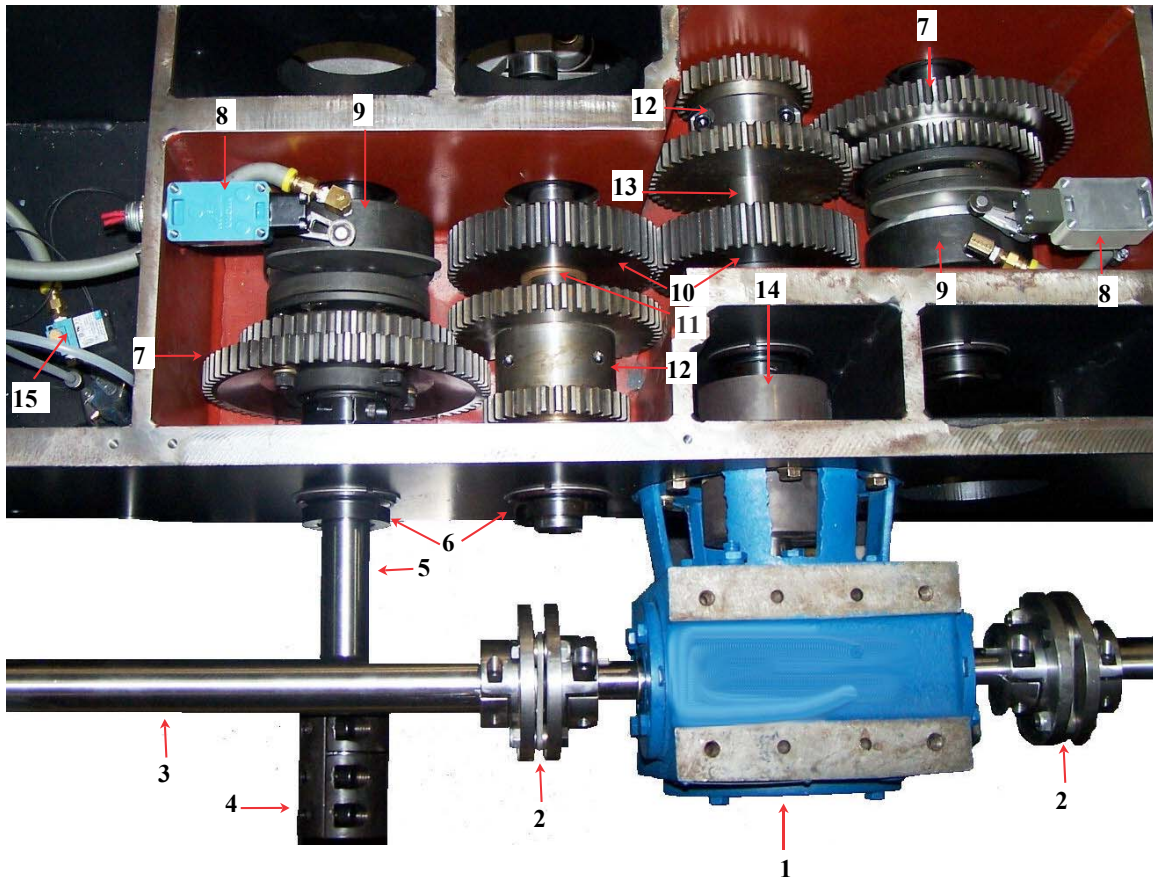
ITEM	PART #	DESCRIPTION
1	KMS 1510	POCKET OPERATING CAM-SHORT
2	KMS 1612A	POCKET OPERATING CAM-DWELL
3	KMS 1511	POCKET OPERATING CAM-LONG
4	SL0423	CLOSING CAM STUD
5	SL0424	ANGLE BRACKET
6	SLO425	GUIDE BLOCK
7	OS13-165	CAM LIFT LEVER
8	OS13-222	TRACK SUPPORT
9	KMS 0862	ROD END
10	KMS 1560	AIR CYLINDER
11	KMS 0898	HANDLE
12	KMS 0927	KNOB
13	RE2226	THREADED ROD

## GRATING



ITEM	PART #	DESCRIPTION
1	KMS 1851	MAGNETIC SWITCH
2	KMS 1849	GAS SPRING 60 LBS
	KMS 1850	GAS SPRING 20 LBS

# HOPPER DRIVE



**HOPPER DRIVE**

<b>ITEM</b>	<b>PART #</b>	<b>DESCRIPTION</b>
1	KMS 6136	WORM GEARBOX
2	KMS 6137	COUPLING
3	KMS 6138	HOPPER DRIVE SHAFT
4	KMS 4041	HOPPER DRIVE COUPLING
5	KMS 6140	CLUTCH SHAFT
6	KMS 9036	BEARING
7	KMS 6009	CLUTCH GEARSET
8	KMS 1258	CLUTCH SWITCH
9	HC4040	CLUTCH
10	KMS 6008	DRIVE GEAR
11		WASHER
12	KMS 4026	CLUSTER GEAR (comes w/KMS 9038 clamp)
13	KMS 6139	CHANGE GEAR IDLER SHAFT
14	KMS 6135	COUPLING
15	KMS 1811	CLUTCH VALVE