

REVISIONS		DATE	APPROVED
ZONE	REV.		SBN
	A		
RELEASED FOR PRODUCTION			

ITEM NO.	PART NUMBER	DESCRIPTION	QTY.
1	HP0053	GUARD FRAME WELDMENT	1
2	HP0054	OUTER GUARD	1
3	HP0055	LEXAN HOPPER GUARD	1
4	KMS1507	SLIDE	1
5	KMS0983	KNOB	1
6	HP0014	GUARD SLIDE	1
7	HP0013	SUPPORT SLIDE SHAFT	1
8	HP0030	BACK SLIDE GUARD	1
9	KMS1720	SWITCH MAGNET, PILZ	1
10	KMS1721	SWITCH MAGNET, PILZ	1
11	HP0060	CATCH/ SWITCH BRACKET	1
12	KMS0982	ROLLER CATCH	1

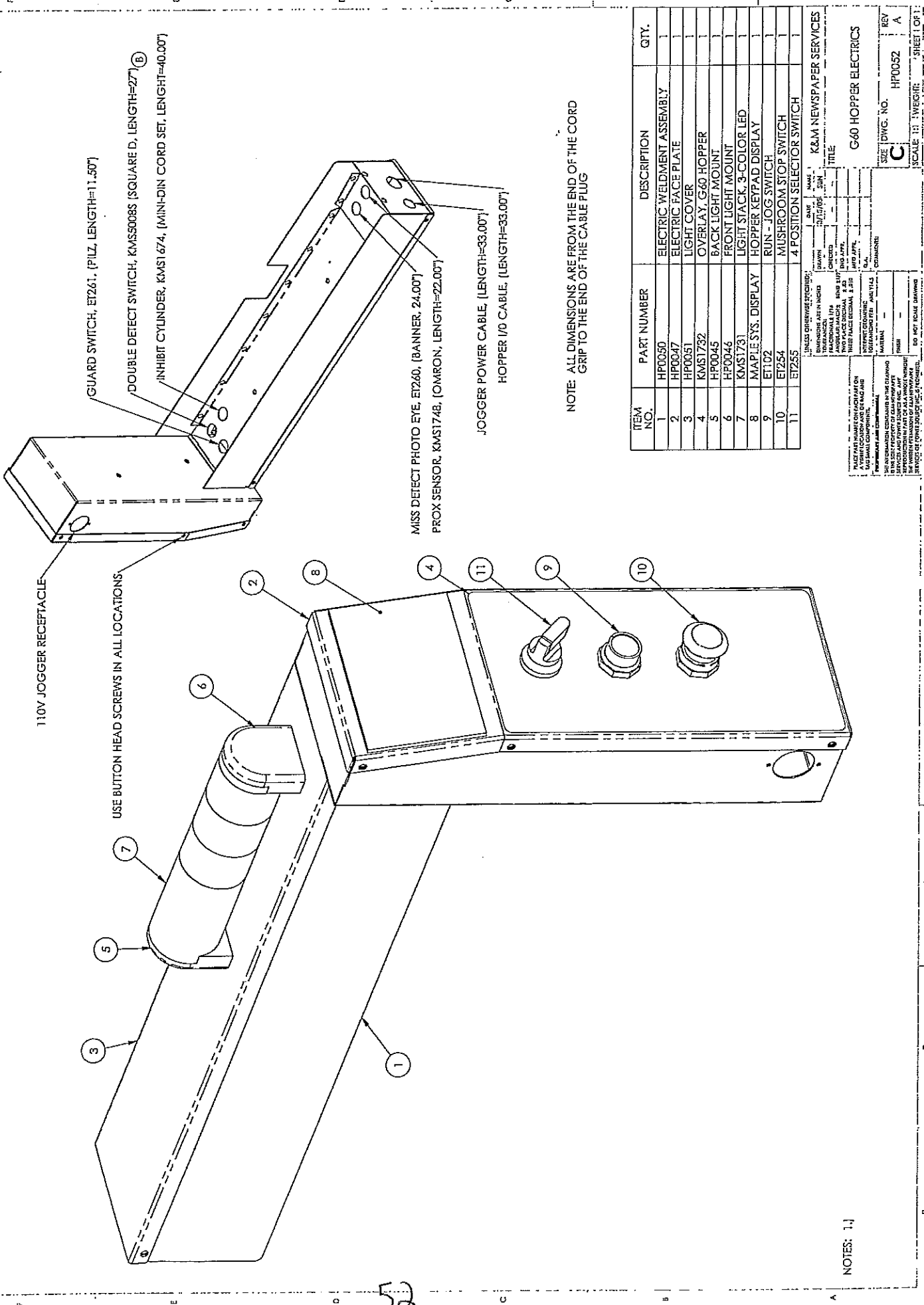
UNLESS OTHERWISE SPECIFIED:	DATE	NAME	SBN
DIMENSIONS ARE IN INCHES			
FRACTIONALS 1/16			
MINUS 0.015			
TWO PLACE DECIMAL			
THREE PLACE DECIMAL			
0.010			
INTERPRET DIMENSIONS			
A. VERTICAL DIMENSIONS PER ANSI Y14.1			
B. HORIZONTAL DIMENSIONS PER ANSI Y14.1			
MATERIAL			
FINISH			
COMMENTS:			

PLEASE PRINT THE NAME OF EACH PART OR A VERBALLY EXAMINED AND OK'D BY THE DESIGN ENGINEER AND THE PARTS MANAGER. TAG SMALL COMPONENTS. PROVIDE PART AND COMPONENT IDENTIFICATION. THE INFORMATION CONTAINED IN THIS DRAWING IS THE PROPERTY OF K&M NEWS PAPER SERVICES. IT IS TO BE USED ONLY FOR THE PROJECT AND FOR WHICH IT WAS PREPARED. REPRODUCTION IN PART OR AS A WHOLE WITHOUT PERMISSION IS STRICTLY PROHIBITED.

DATE		NAME		SBN	
DESIGNED					
CHECKED					
ENG. APPR.					
MFG. APPR.					
D.A.					
TITLE:					
K&M NEWS PAPER SERVICES					
G-60 HOPPER GUARD ASSEMBLY					
SIZE	DWG. NO.	REV			
B	HP0056	A			
SCALE: 1:4	WEIGHT:	SHEET 1 OF 1			

NOTES: 1.)

REVISED  
 12/17/83  
 MOVED TOILE LOCATIONS, ADDED SCREW  
 12/17/83



110V JOGGER RECEPTACLE

USE BUTTON HEAD SCREWS IN ALL LOCATIONS

GUARD SWITCH, ET261, (PIZ, LENGTH=11.500")  
 DOUBLE DETECT SWITCH, KMSS008S (SQUARE D, LENGTH=27")  
 INHIBIT CYLINDER, KMST674, (MINI-DIN CORD SET, LENGTH=40.00")

MISS DETECT PHOTO EYE, ET260, (BANNER, 24.00")  
 PROX SENSOR, KMST748, (OMRON, LENGTH=22.00")

JOGGER POWER CABLE, (LENGTH=33.00")  
 HOPPER I/O CABLE, (LENGTH=33.00")

NOTE: ALL DIMENSIONS ARE FROM THE END OF THE CORD GRIP TO THE END OF THE CABLE PLUG

ITEM NO.	PART NUMBER	DESCRIPTION	QTY.
1	HP0030	ELECTRIC WELDMENT ASSEMBLY	1
2	HP0047	ELECTRIC FACE PLATE	1
3	HP0051	LIGHT COVER	1
4	KMST732	OVERLAY, G60 HOPPER	1
5	HP0045	BACK LIGHT MOUNT	1
6	HP0046	FRONT LIGHT MOUNT	1
7	KMST731	LIGHT STACK, 3-COLOR LED	1
8	MAPLE SYS. DISPLAY	HOPPER KEYPAD DISPLAY	1
9	ET102	RUN - JOG SWITCH	1
10	ET254	MUSHROOM STOP SWITCH	1
11	ET255	4 POSITION SELECTOR SWITCH	1

INDEX CHANGING SPECIFIC: \_\_\_\_\_ DATE: \_\_\_\_\_  
 DIMENSIONS ARE IN INCHES: DRAWN: 01/15/85, SIN  
 DIMENSIONS ARE IN MILLIMETERS: CHECKED: \_\_\_\_\_  
 THIS DRAWING IS THE PROPERTY OF K&M NEWS PAPER SERVICES. IT IS TO BE USED ONLY FOR THE PROJECT AND FOR WHICH IT WAS PREPARED. IT IS NOT TO BE REPRODUCED OR TRANSMITTED IN ANY FORM OR BY ANY MEANS, ELECTRONIC OR MECHANICAL, INCLUDING PHOTOCOPYING, RECORDING, OR BY ANY INFORMATION STORAGE AND RETRIEVAL SYSTEM.

FACE PLATE NUMBER AND SERIAL NUMBER: \_\_\_\_\_  
 A UNIT LOCATION AND DIMENSIONS: \_\_\_\_\_  
 DIMENSIONS ARE IN INCHES: \_\_\_\_\_  
 DIMENSIONS ARE IN MILLIMETERS: \_\_\_\_\_  
 INTERFERING PART: \_\_\_\_\_  
 DIMENSIONS ARE IN INCHES: \_\_\_\_\_  
 DIMENSIONS ARE IN MILLIMETERS: \_\_\_\_\_

TITLE: G-60 HOPPER ELECTRICS  
 K&M NEWS PAPER SERVICES

SIZE: DWG. NO. HP0052  
 REV. A

SCALE: 1:1  
 SHEET 1 OF 1

NOTES: 1.)