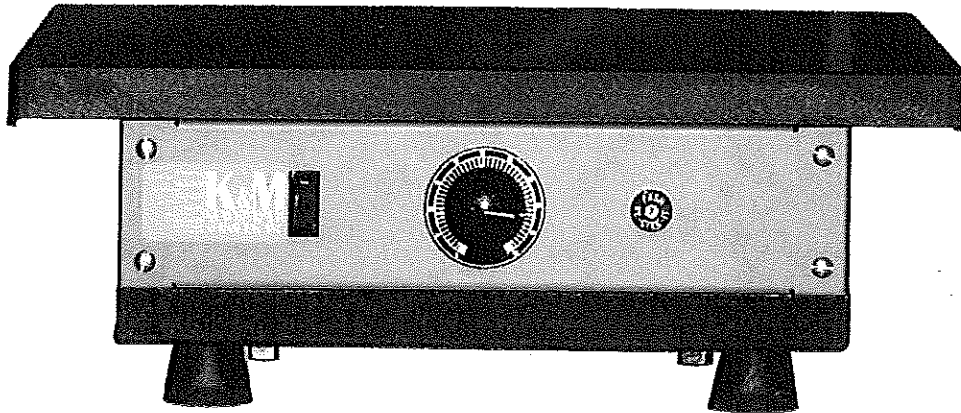




X-50 Jogging Table User Manual



Features & Specifications:

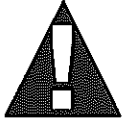
- 3,600 vibrations per minute
- No mechanical adjustment necessary
- Unit will jog paper stocks up to 18x22" and loads weighing up to 50 pounds*
- Rheostat control enables adjustable amplitude of vibration
- Electromagnetic design allows reliable operation.
- Operation available for 115 volt, single phase, 50 and 60 cycle
- Units are UL listed
- 17"x17" standard table top dimensions. 17"x14" & 17"x22" available upon request.
- Simple on/ off switch operation
- Guaranteed to be free from workmanship and material defects for 1 year from date of shipment
- Self enclosed unit

* stock must be operator held during jogging

800-828-0242

kmnews@warwick.net • www.kmnewspaper.com

USER INSTRUCTIONS

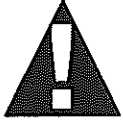


Warning: The jogger weighs over 80 pounds, take great care in handling. Get Help!

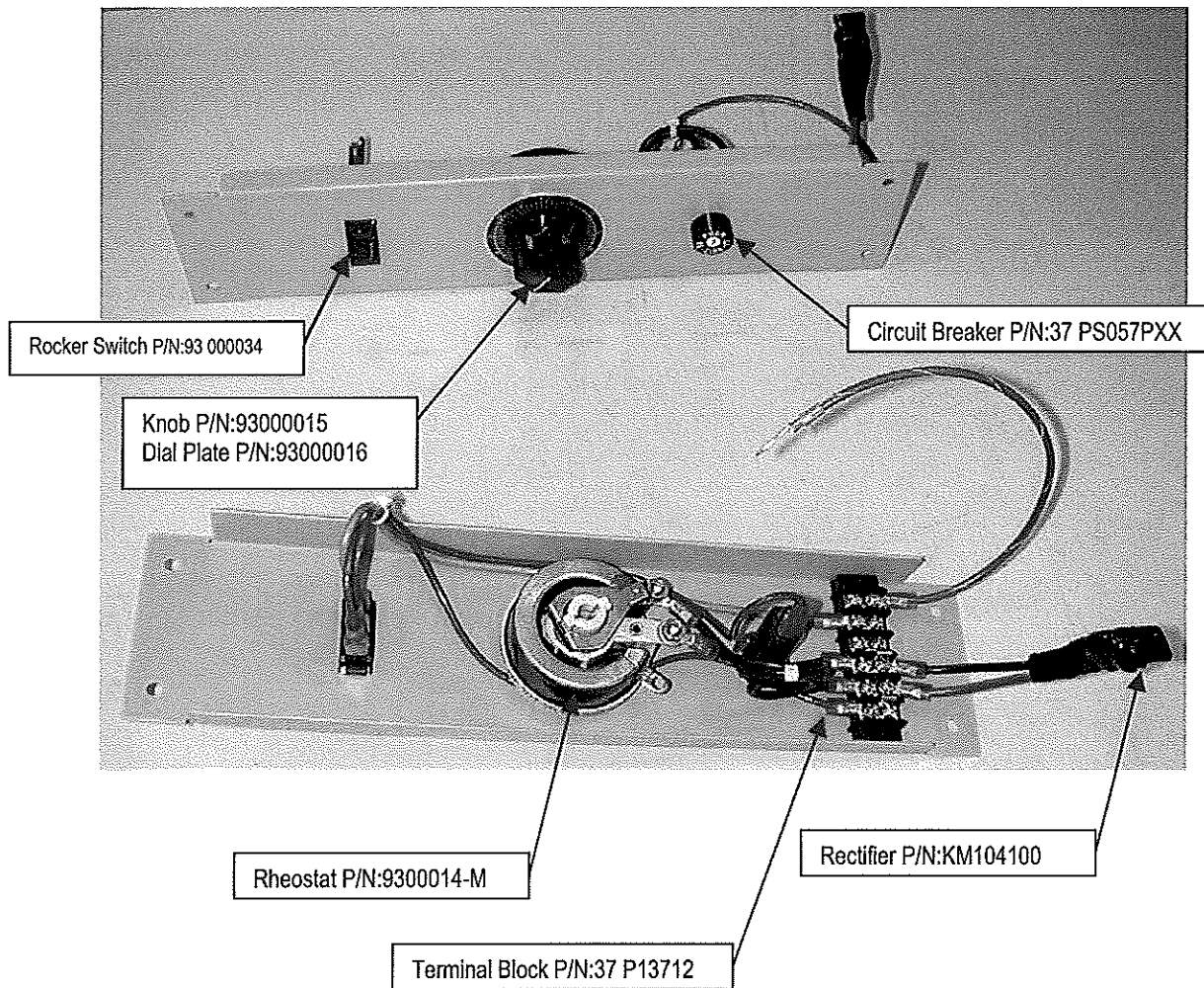
Installation / Operation:

1. Install the Jogging Table on a table top or other similar surface capable of supporting a minimum of 150 lbs. It is important that the Jogging Table feet sit squarely on a secure, level surface.
2. Connect the power cord to a 115VAC 15A outlet.
3. Turn on the power switch.
4. Adjust the level control to achieve the desired vibration level.
 - a. If vibration is too violent and sounds like metal on metal, lower the vibration setting. This is the only adjustment.
 - b. Vibration level can change with weight of product, room temperature and time in use.
 - c. Different settings on different days is normal.
5. Place a handful stack of paper, on edge, on the Jogging Table Top.
6. Loosely hold the paper on edge until the papers are jogged into proper alignment.
7. If desired, turn the stack 90 degrees and repeat.

Front Panel Assembly:



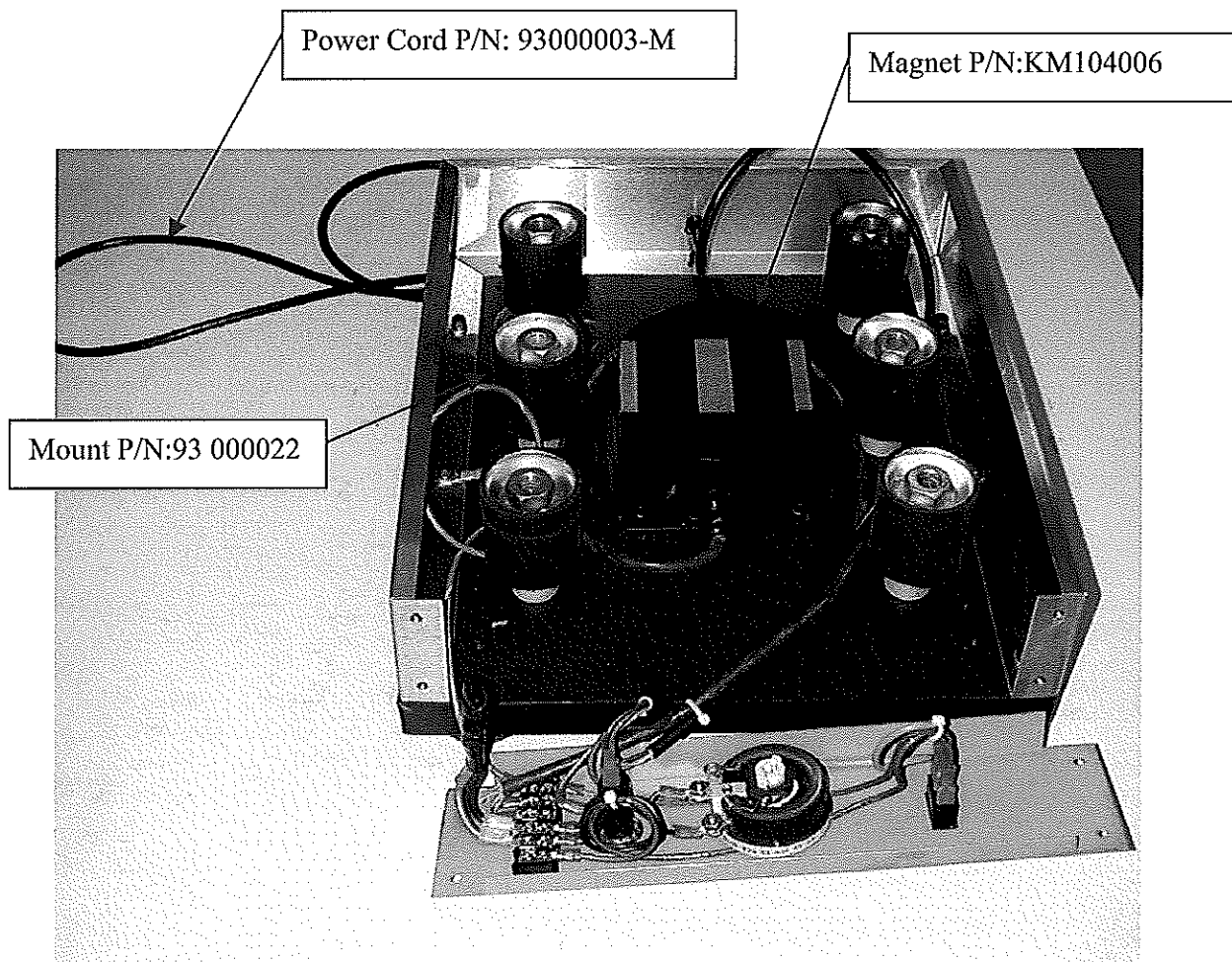
Caution: Be sure to unplug the jogger before moving or servicing. Service should only be performed by a qualified technician.



Base Assembly:

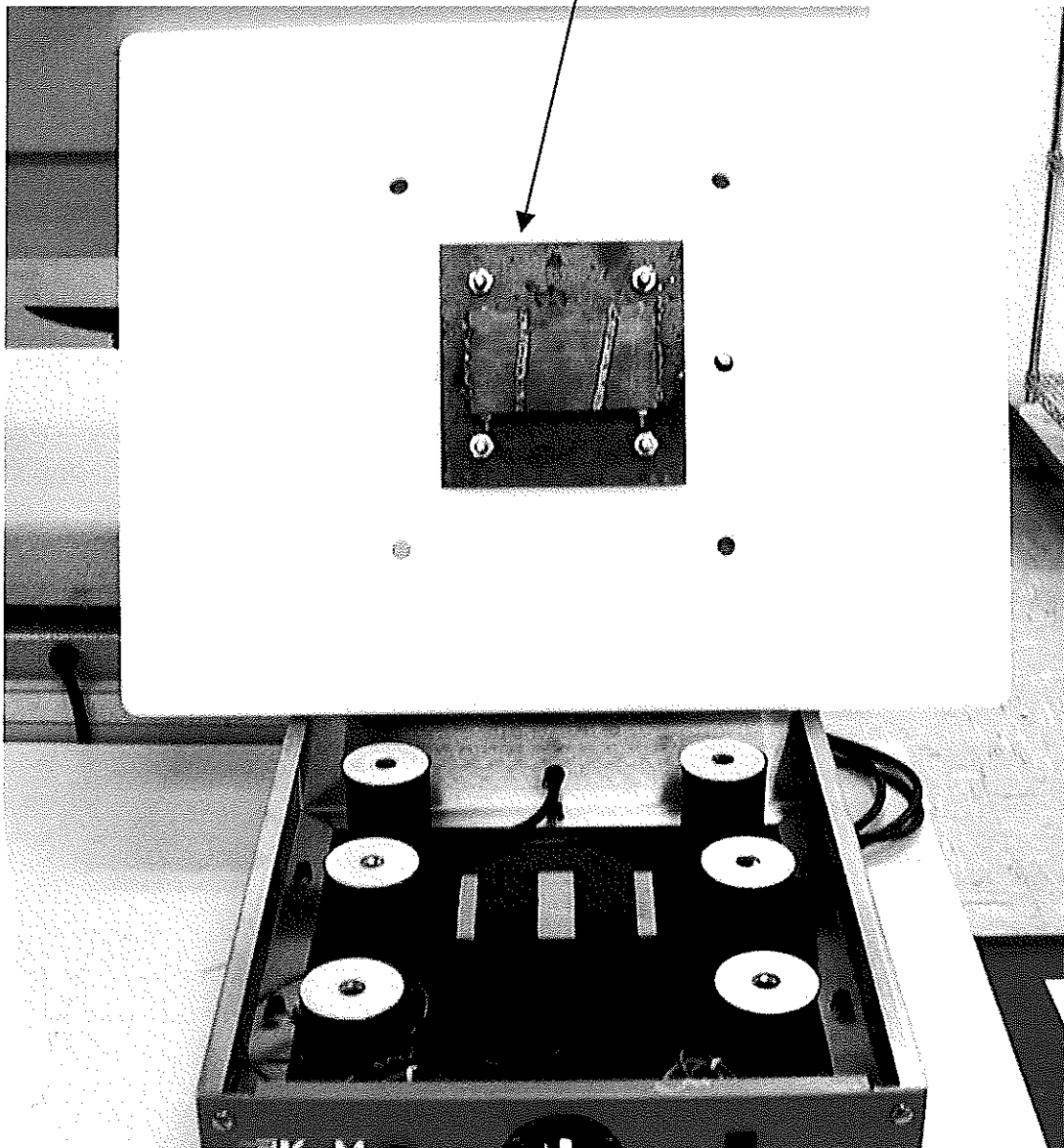


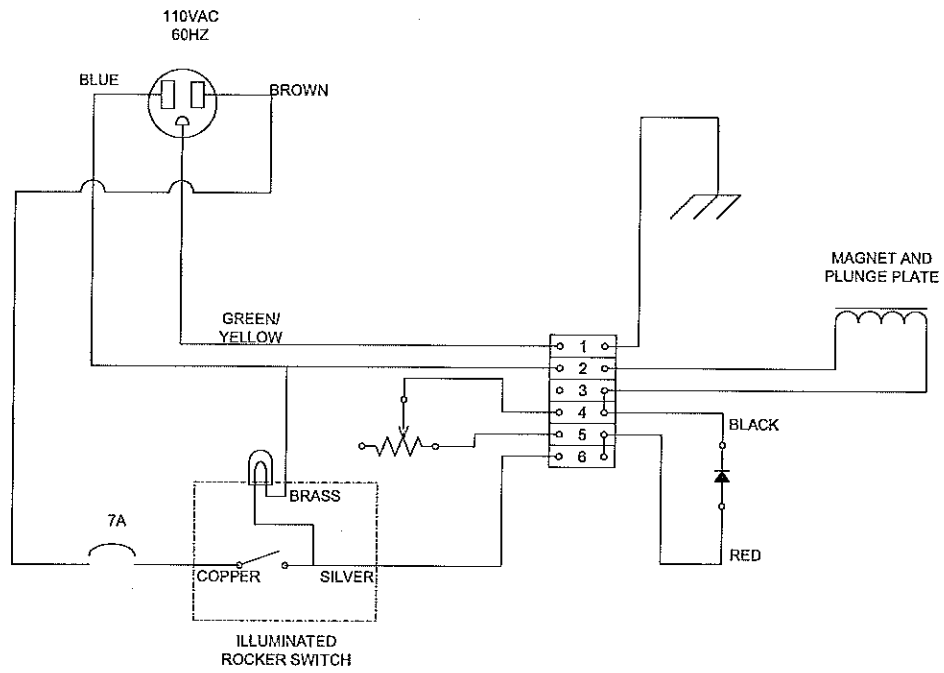
Caution: Be sure to unplug the jogger before moving or servicing. Service should only be performed by a qualified technician.



Top Plate Assembly:

Plunge Plate P/N: KM104200





REVISIONS

NO.	DATE	DESCRIPTION
A	7/04	REDRAWN

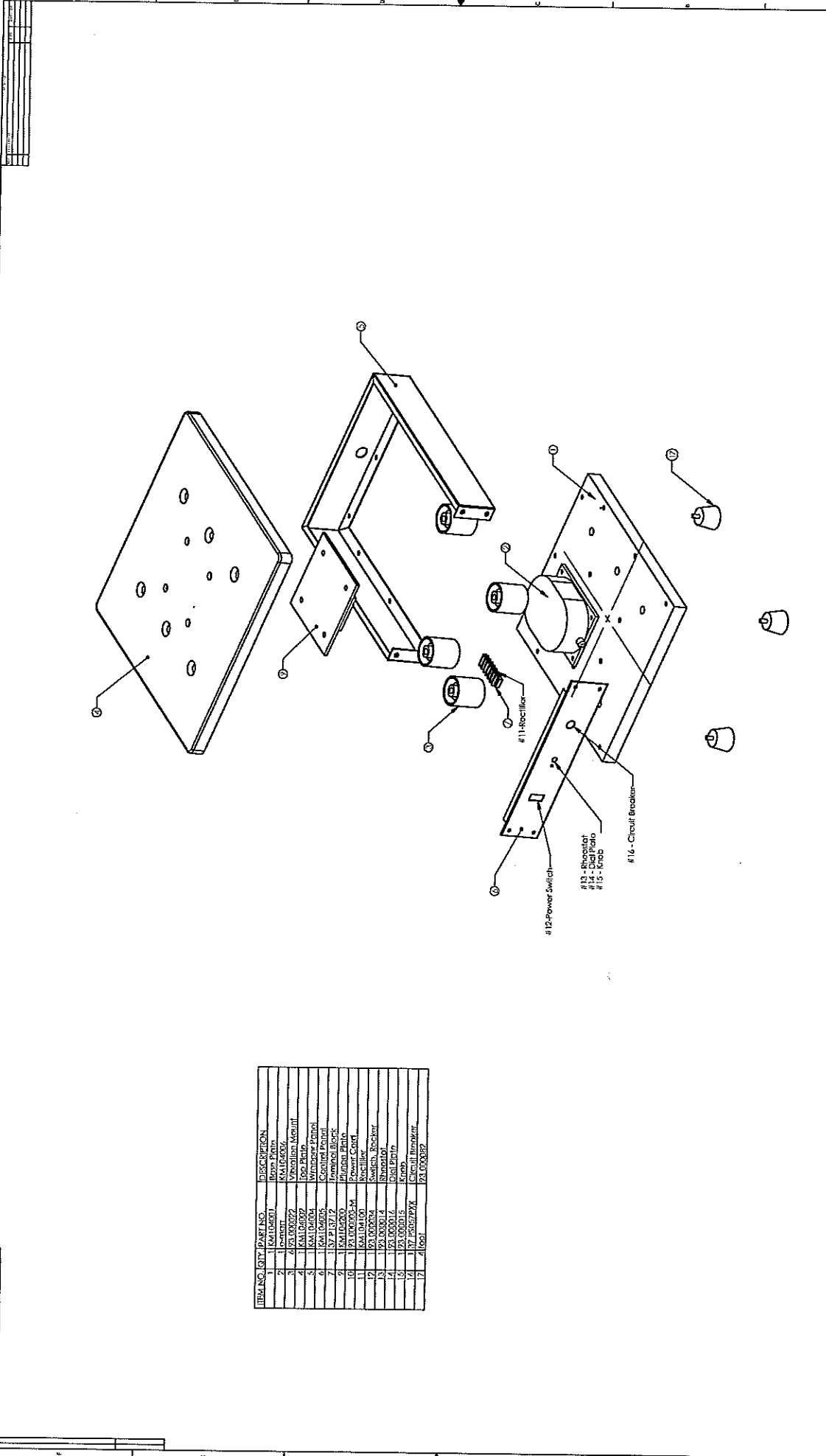
SCHEMATIC, JOGGER TABLE

KM104000

DATE ORIGINAL	SCALE
7/01/04	
LATEST REVISION	JOB NO.
A	

CHECKED	DRAWN
	M.ZACHMANN

1. This drawing is the property of the U.S. Government and is loaned to your organization for your information only. It and its contents are not to be distributed outside your organization.



ITEM NO.	QTY.	PART NO.	DESCRIPTION
1	1	KM104001	Base Flange
2	1	10-000001	Bracket
3	2	10-000002	Vertical Mount
4	1	KM104002	Top Panel
5	1	KM104003	Front Panel
6	1	KM104004	Rear Panel
7	1	10-000005	Power Card
8	1	10-000006	Rectifier
9	1	10-000007	Rheostat
10	1	10-000008	Dial Piano
11	1	10-000009	Knob
12	1	10-000010	Knob
13	1	10-000011	Circuit Bracket
14	1	10-000012	Power Switch
15	1	10-000013	Rectifier
16	1	10-000014	Rheostat
17	1	10-000015	Dial Piano
18	1	10-000016	Knob
19	1	10-000017	Knob
20	1	10-000018	Circuit Bracket
21	1	10-000019	Power Switch
22	1	10-000020	Rectifier
23	1	10-000021	Rheostat
24	1	10-000022	Dial Piano
25	1	10-000023	Knob
26	1	10-000024	Knob
27	1	10-000025	Circuit Bracket
28	1	10-000026	Power Switch
29	1	10-000027	Rectifier
30	1	10-000028	Rheostat
31	1	10-000029	Dial Piano
32	1	10-000030	Knob
33	1	10-000031	Knob
34	1	10-000032	Circuit Bracket
35	1	10-000033	Power Switch
36	1	10-000034	Rectifier
37	1	10-000035	Rheostat
38	1	10-000036	Dial Piano
39	1	10-000037	Knob
40	1	10-000038	Knob
41	1	10-000039	Circuit Bracket
42	1	10-000040	Power Switch
43	1	10-000041	Rectifier
44	1	10-000042	Rheostat
45	1	10-000043	Dial Piano
46	1	10-000044	Knob
47	1	10-000045	Knob
48	1	10-000046	Circuit Bracket
49	1	10-000047	Power Switch
50	1	10-000048	Rectifier
51	1	10-000049	Rheostat
52	1	10-000050	Dial Piano
53	1	10-000051	Knob
54	1	10-000052	Knob
55	1	10-000053	Circuit Bracket
56	1	10-000054	Power Switch
57	1	10-000055	Rectifier
58	1	10-000056	Rheostat
59	1	10-000057	Dial Piano
60	1	10-000058	Knob
61	1	10-000059	Knob
62	1	10-000060	Circuit Bracket
63	1	10-000061	Power Switch
64	1	10-000062	Rectifier
65	1	10-000063	Rheostat
66	1	10-000064	Dial Piano
67	1	10-000065	Knob
68	1	10-000066	Knob
69	1	10-000067	Circuit Bracket
70	1	10-000068	Power Switch
71	1	10-000069	Rectifier
72	1	10-000070	Rheostat
73	1	10-000071	Dial Piano
74	1	10-000072	Knob
75	1	10-000073	Knob
76	1	10-000074	Circuit Bracket
77	1	10-000075	Power Switch
78	1	10-000076	Rectifier
79	1	10-000077	Rheostat
80	1	10-000078	Dial Piano
81	1	10-000079	Knob
82	1	10-000080	Knob
83	1	10-000081	Circuit Bracket
84	1	10-000082	Power Switch
85	1	10-000083	Rectifier
86	1	10-000084	Rheostat
87	1	10-000085	Dial Piano
88	1	10-000086	Knob
89	1	10-000087	Knob
90	1	10-000088	Circuit Bracket
91	1	10-000089	Power Switch
92	1	10-000090	Rectifier
93	1	10-000091	Rheostat
94	1	10-000092	Dial Piano
95	1	10-000093	Knob
96	1	10-000094	Knob
97	1	10-000095	Circuit Bracket
98	1	10-000096	Power Switch
99	1	10-000097	Rectifier
100	1	10-000098	Rheostat
101	1	10-000099	Dial Piano
102	1	10-000100	Knob
103	1	10-000101	Knob
104	1	10-000102	Circuit Bracket
105	1	10-000103	Power Switch
106	1	10-000104	Rectifier
107	1	10-000105	Rheostat
108	1	10-000106	Dial Piano
109	1	10-000107	Knob
110	1	10-000108	Knob
111	1	10-000109	Circuit Bracket
112	1	10-000110	Power Switch
113	1	10-000111	Rectifier
114	1	10-000112	Rheostat
115	1	10-000113	Dial Piano
116	1	10-000114	Knob
117	1	10-000115	Knob
118	1	10-000116	Circuit Bracket
119	1	10-000117	Power Switch
120	1	10-000118	Rectifier
121	1	10-000119	Rheostat
122	1	10-000120	Dial Piano
123	1	10-000121	Knob
124	1	10-000122	Knob
125	1	10-000123	Circuit Bracket
126	1	10-000124	Power Switch
127	1	10-000125	Rectifier
128	1	10-000126	Rheostat
129	1	10-000127	Dial Piano
130	1	10-000128	Knob
131	1	10-000129	Knob
132	1	10-000130	Circuit Bracket
133	1	10-000131	Power Switch
134	1	10-000132	Rectifier
135	1	10-000133	Rheostat
136	1	10-000134	Dial Piano
137	1	10-000135	Knob
138	1	10-000136	Knob
139	1	10-000137	Circuit Bracket
140	1	10-000138	Power Switch
141	1	10-000139	Rectifier
142	1	10-000140	Rheostat
143	1	10-000141	Dial Piano
144	1	10-000142	Knob
145	1	10-000143	Knob
146	1	10-000144	Circuit Bracket
147	1	10-000145	Power Switch
148	1	10-000146	Rectifier
149	1	10-000147	Rheostat
150	1	10-000148	Dial Piano
151	1	10-000149	Knob
152	1	10-000150	Knob
153	1	10-000151	Circuit Bracket
154	1	10-000152	Power Switch
155	1	10-000153	Rectifier
156	1	10-000154	Rheostat
157	1	10-000155	Dial Piano
158	1	10-000156	Knob
159	1	10-000157	Knob
160	1	10-000158	Circuit Bracket
161	1	10-000159	Power Switch
162	1	10-000160	Rectifier
163	1	10-000161	Rheostat
164	1	10-000162	Dial Piano
165	1	10-000163	Knob
166	1	10-000164	Knob
167	1	10-000165	Circuit Bracket
168	1	10-000166	Power Switch
169	1	10-000167	Rectifier
170	1	10-000168	Rheostat
171	1	10-000169	Dial Piano
172	1	10-000170	Knob
173	1	10-000171	Knob
174	1	10-000172	Circuit Bracket
175	1	10-000173	Power Switch
176	1	10-000174	Rectifier
177	1	10-000175	Rheostat
178	1	10-000176	Dial Piano
179	1	10-000177	Knob
180	1	10-000178	Knob
181	1	10-000179	Circuit Bracket
182	1	10-000180	Power Switch
183	1	10-000181	Rectifier
184	1	10-000182	Rheostat
185	1	10-000183	Dial Piano
186	1	10-000184	Knob
187	1	10-000185	Knob
188	1	10-000186	Circuit Bracket
189	1	10-000187	Power Switch
190	1	10-000188	Rectifier
191	1	10-000189	Rheostat
192	1	10-000190	Dial Piano
193	1	10-000191	Knob
194	1	10-000192	Knob
195	1	10-000193	Circuit Bracket
196	1	10-000194	Power Switch
197	1	10-000195	Rectifier
198	1	10-000196	Rheostat
199	1	10-000197	Dial Piano
200	1	10-000198	Knob
201	1	10-000199	Knob
202	1	10-000200	Circuit Bracket

DATE	10/10/54	BY	J. W. BROWN
REV.	1	DESCRIPTION	LOGGING TABLE
APPROVED		FOR THE PROJECT	
DESIGNED BY	J. W. BROWN	CHECKED BY	
DRAWN BY	J. W. BROWN	DATE	10/10/54
SCALE		PROJECT NO.	
LOGGING TABLE			
KSA 104000			