

KM104000

**ALLIANCE  
TECHNOLOGIES  
GROUP, INC.**

REVISIONS

NO.	DATE	DESCRIPTION
A	7/04	REDRAWN

SCHEMATIC, JOGGER TABLE

DATE ORIGINAL  
7/01/04

SCALE

LATEST REVISION  
A

JOB NO.

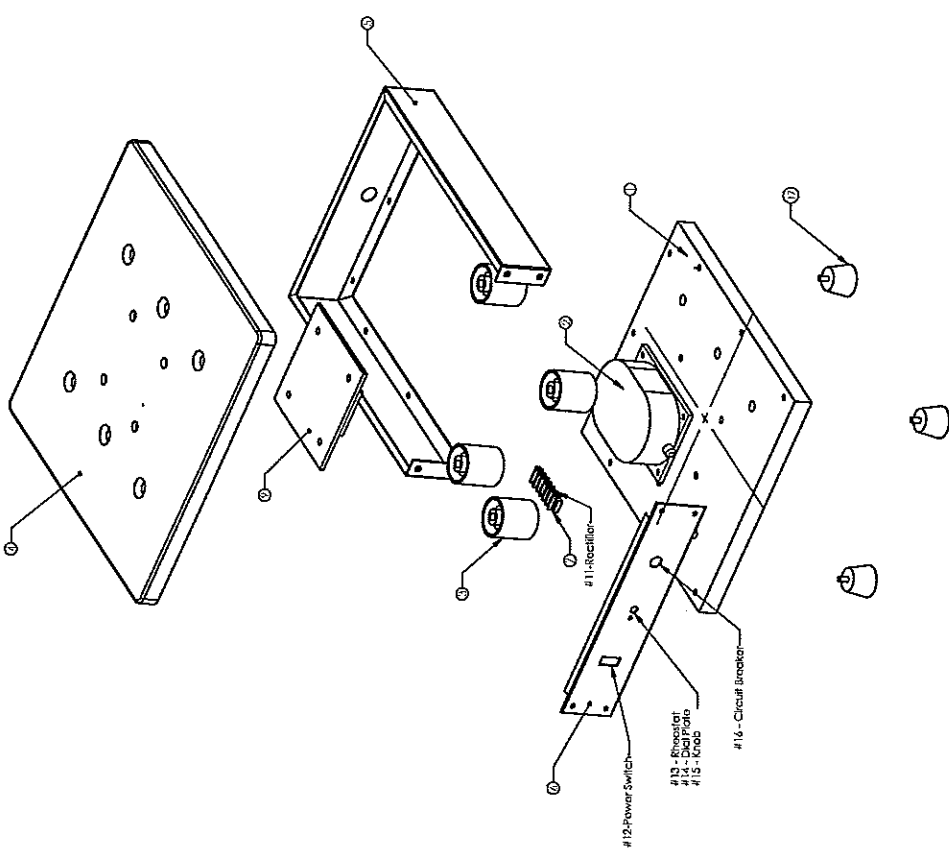
CHECKED

DRAWN  
M.ZACHMANN

PROJECT NO.	DATE
DESIGNER	CHECKED BY
APPROVED BY	
TITLE	
DRAWING NO.	
JOB NO.	
JOB NAME	
JOB NUMBER	
JOB DATE	
JOB TIME	
JOB COST	
JOB STATUS	
JOB COMMENTS	
JOB SIGNATURE	

LOGGING TABLE

NO.	DATE	BY	REVISION



ITEM NO.	QTY.	PART NO.	DESCRIPTION
1	1	KA1.04961	Power Plug
2	1	KA1.04962	Vibration Mount
3	4	KA1.04972	Top Panel
4	1	KA1.04977	Top Panel
5	1	KA1.04978	Wireframe Exptnl
6	1	KA1.04985	Control Panel
7	1	KA1.04989	Terminal Block
8	1	KA1.04991	Front Panel
9	1	KA1.04993	Rectifier
10	1	KA1.04995	Switch
11	1	KA1.04997	Rectifier
12	1	KA1.04999	Switch, Breaker
13	1	KA1.04999	Resistor
14	4	KA1.05001	Top Panel
15	1	KA1.05002	Top Panel
16	1	KA1.05003	Front Panel
17	1	KA1.05004	Resistor

FOR INFORMATION PURPOSES ONLY - THIS DRAWING IS NOT TO BE USED FOR CONSTRUCTION OF THE PROJECT WITHOUT THE APPROVAL OF THE DESIGNER.