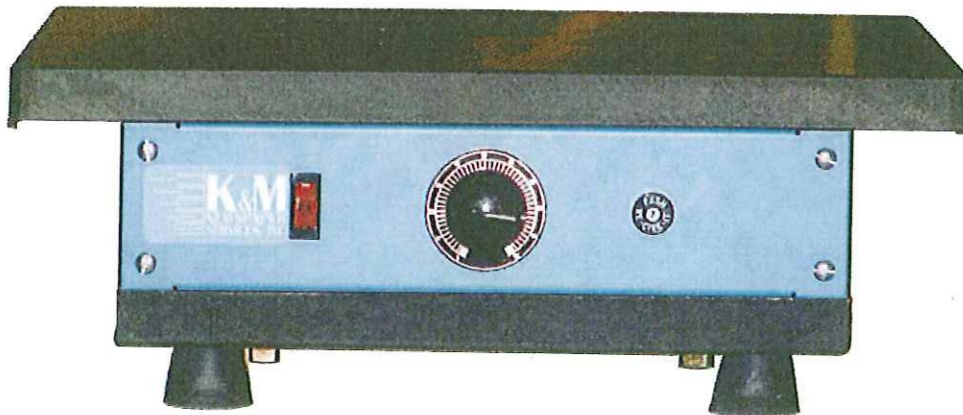




X-50 Jogging Table User Manual



Features & Specifications:

- 3,600 vibrations per minute
- No mechanical adjustment necessary
- Unit will jog paper stocks up to 18x22" and loads weighing up to 50 pounds*
- Rheostat control enables adjustable amplitude of vibration
- Electromagnetic design allows reliable operation.
- Operation available for 115 volt, single phase, 50 and 60 cycle
- Units are UL listed
- 17"x17" standard table top dimensions. 17"x14" & 17"x22" available upon request.
- Simple on/off switch operation
- Guaranteed to be free from workmanship and material defects for 1 year from date of shipment
- Self enclosed unit

* stock must be operator held during jogging

800-828-0242

kmnews@warwick.net • www.kmnewspaper.com

USER INSTRUCTIONS



Warning: The jogger weighs over 80 pounds, take great care in handling. Get Help!

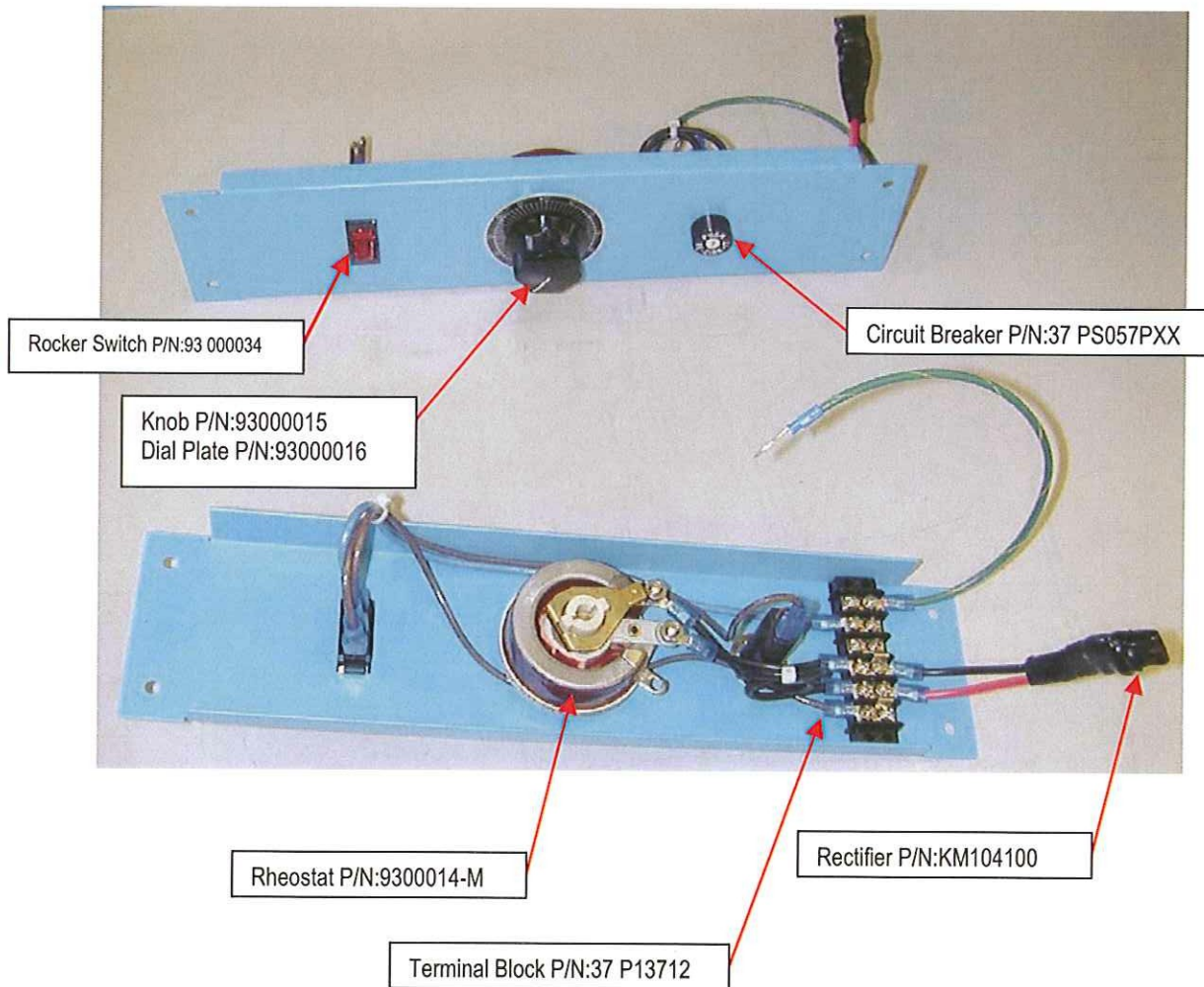
Installation / Operation:

1. Install the Jogging Table on a table top or other similar surface capable of supporting a minimum of 150 lbs. It is important that the Jogging Table feet sit squarely on a secure, level surface.
2. Connect the power cord to a 115VAC 15A outlet.
3. Turn on the power switch.
4. Adjust the level control to achieve the desired vibration level.
 - a. If vibration is too violent and sounds like metal on metal, lower the vibration setting. This is the only adjustment.
 - b. Vibration level can change with weight of product, room temperature and time in use.
 - c. Different settings on different days is normal.
5. Place a handful stack of paper, on edge, on the Jogging Table Top.
6. Loosely hold the paper on edge until the papers are jogged into proper alignment.
7. If desired, turn the stack 90 degrees and repeat.

Front Panel Assembly:



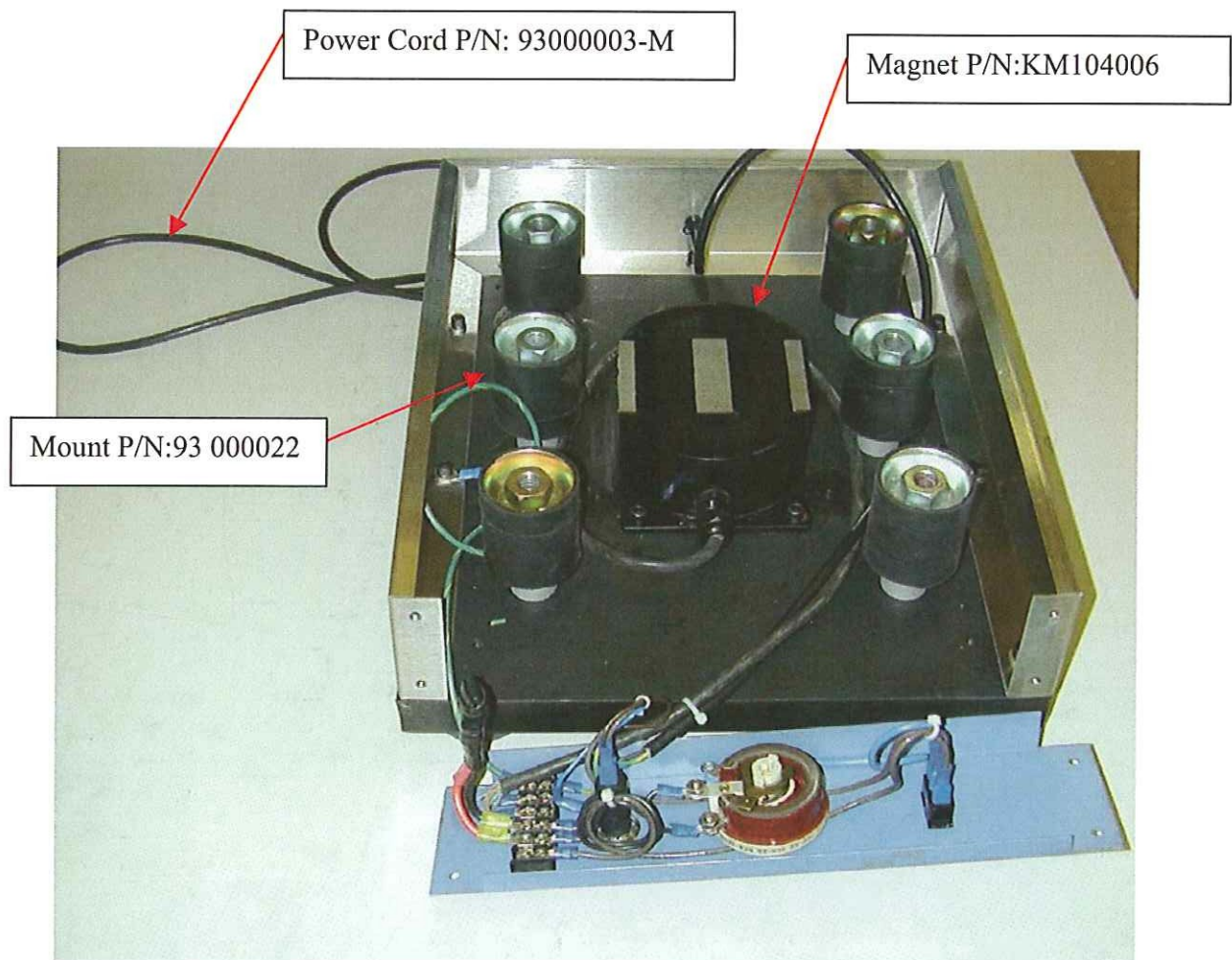
Caution: Be sure to unplug the jogger before moving or servicing. Service should only be performed by a qualified technician.



Base Assembly:

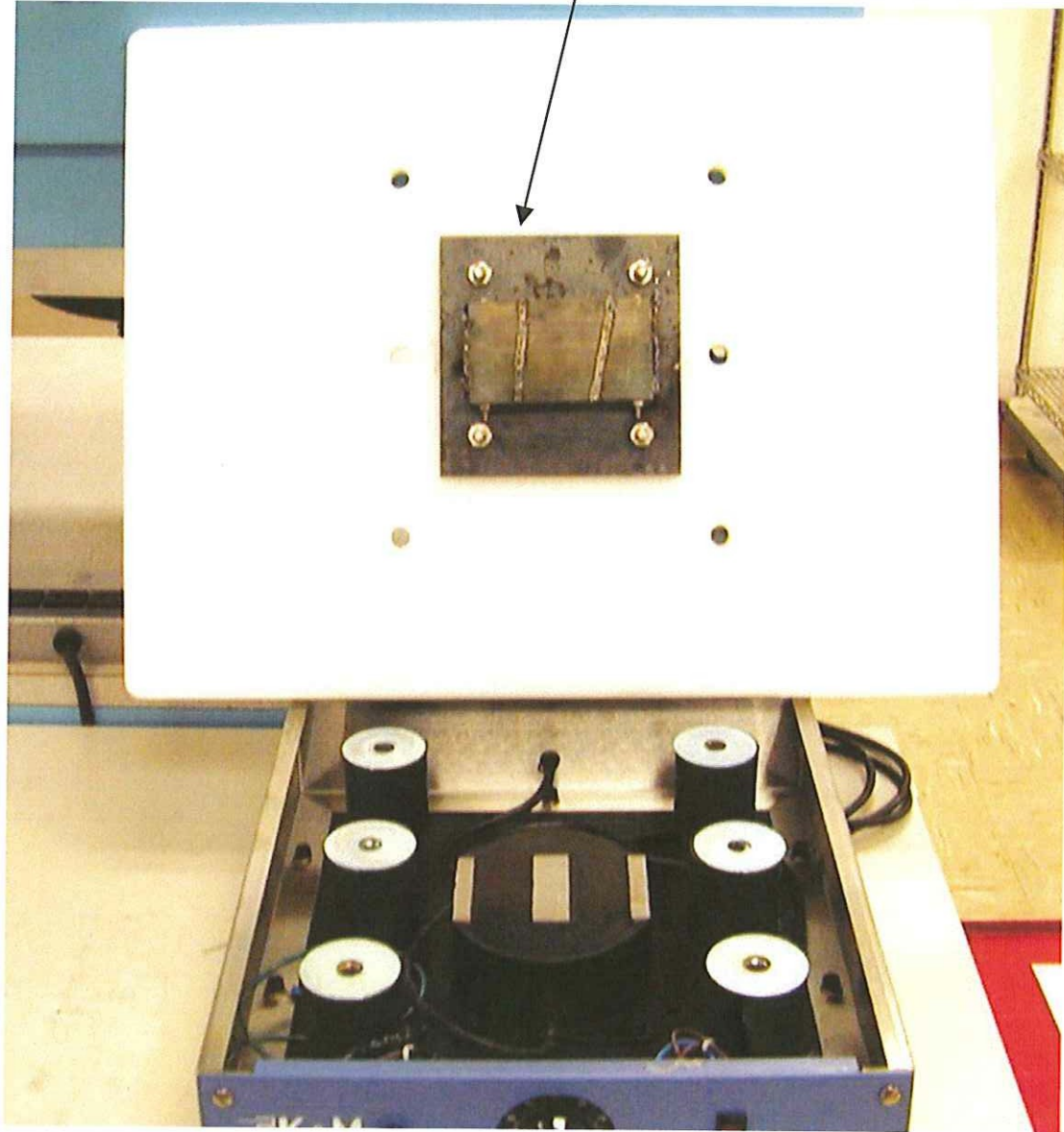


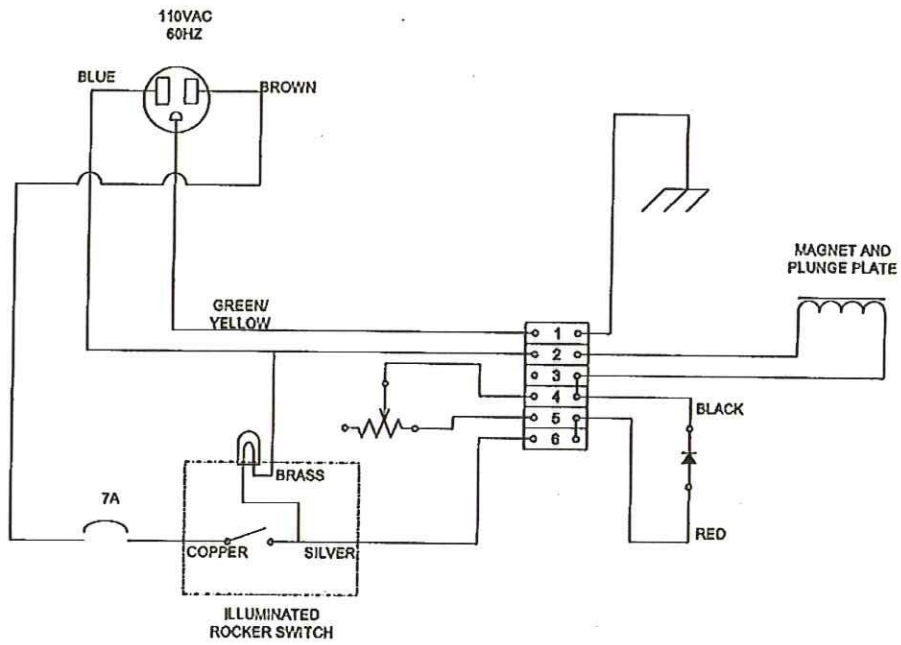
Caution: Be sure to unplug the jogger before moving or servicing. Service should only be performed by a qualified technician.



Top Plate Assembly:

Plunge Plate P/N: KM104200





KM104000	ALLIANCE TECHNOLOGIES GROUP, INC.		REVISIONS			SCHEMATIC, JOGGER TABLE
			NO.	DATE	DESCRIPTION	
	A	7/04	REDRAWN			
DATE ORIGINAL	SCALE					
7/01/04						
LATEST REVISION	JOB NO.	CHECKED	DRAWN			
A			M.ZACHMANN			

