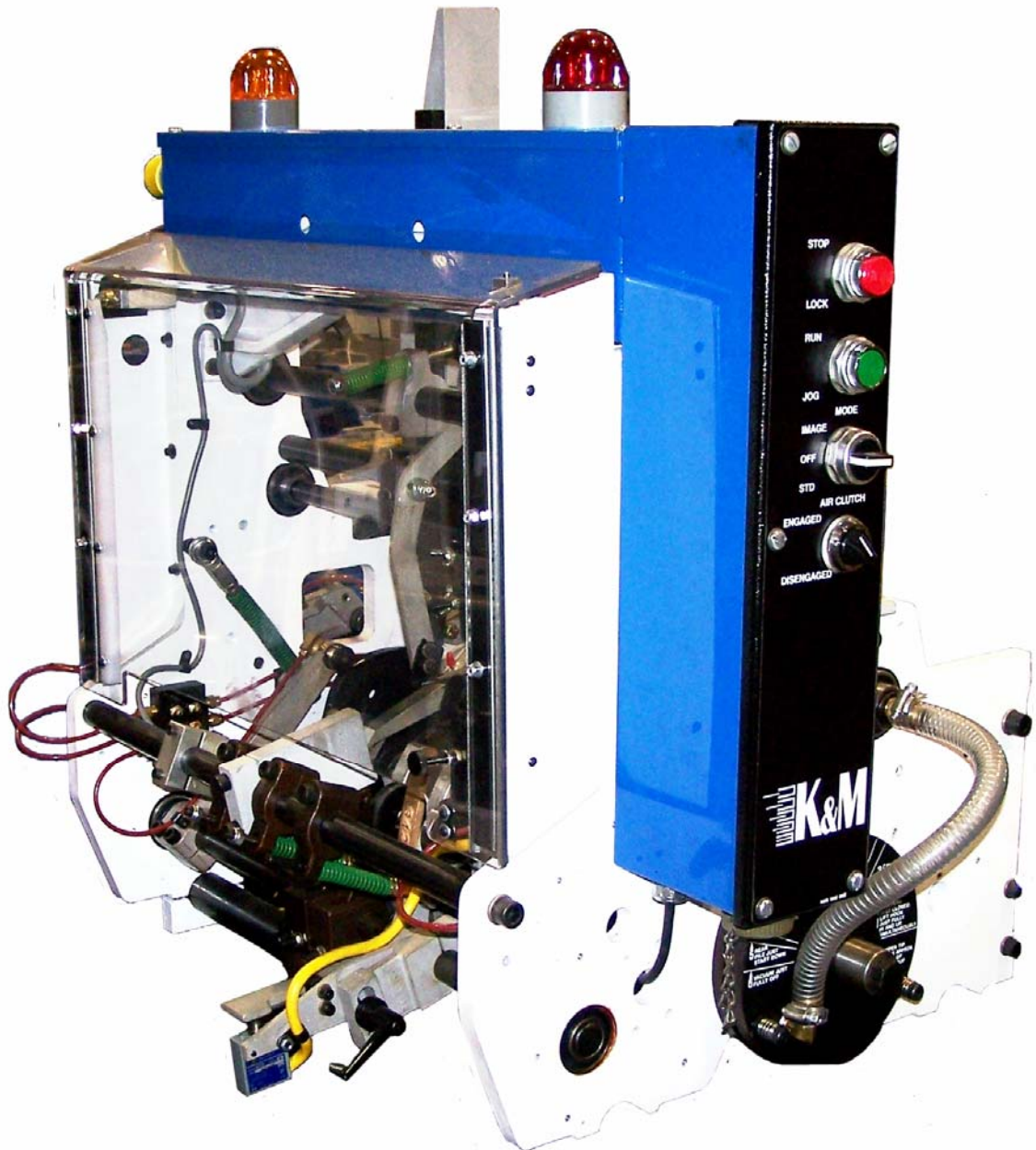
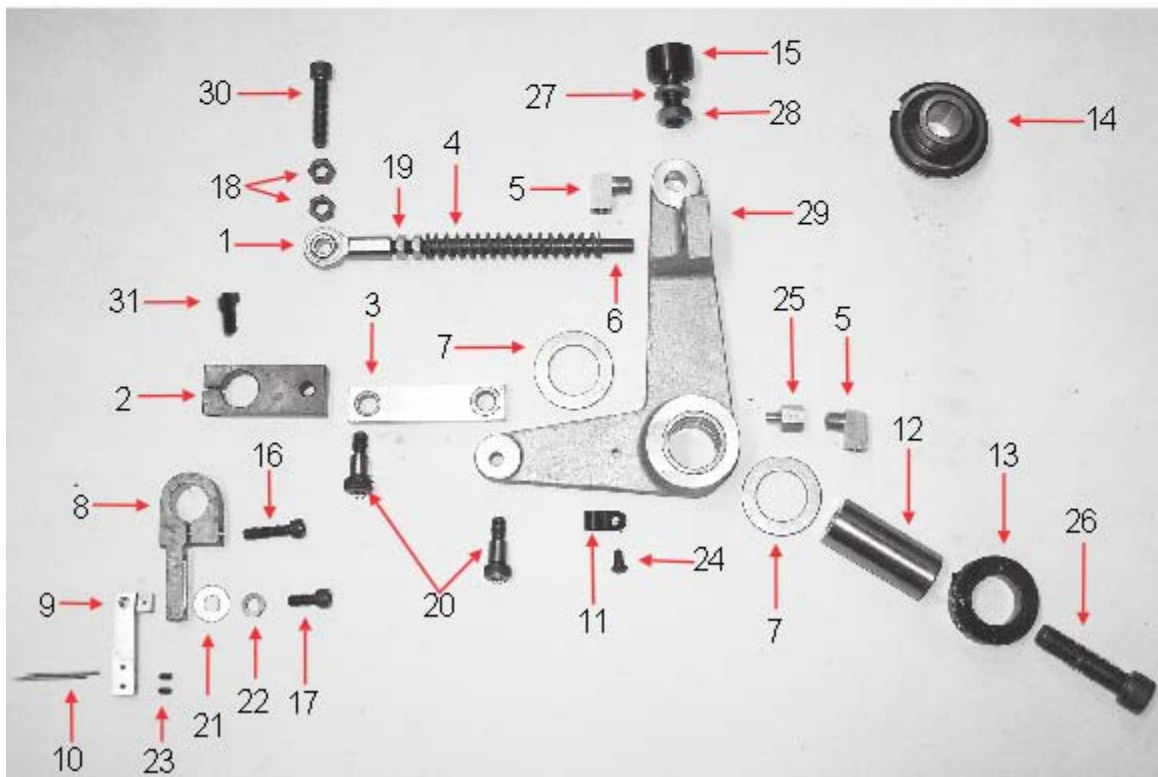
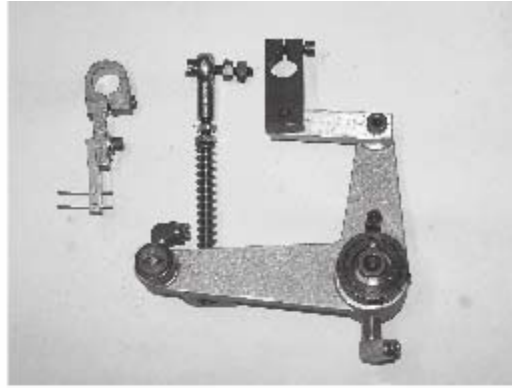


SECTION 1-2

MS HOPPER



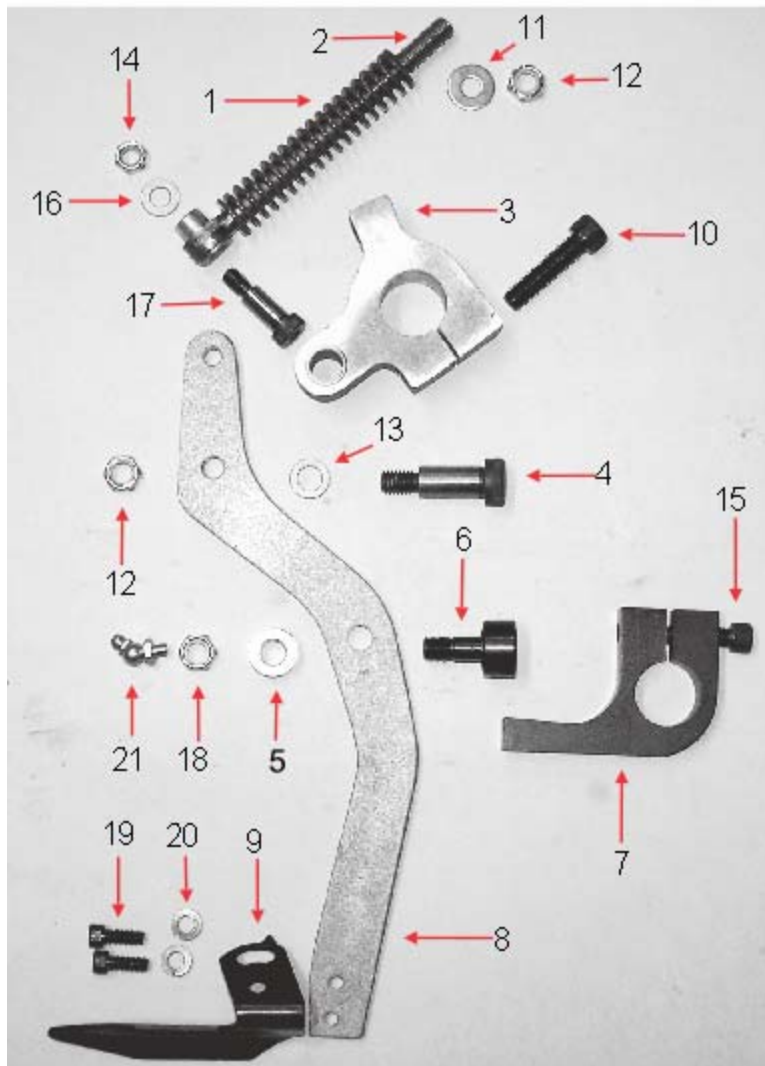
NEEDLE ASSEMBLY



NEEDLE ASSEMBLY

ITEM	PART NUMBER	DESCRIPTION	QUANTITY
1	KMS 5020	ROD END	1
2	KMS 2093	NEEDLE BAR ARM	1
3	KMS 2045	NEEDLE BAR LINK	1
4	KMS 5024R	SPRING	1
5	KMS 0041	ELBOW FITTING	2
6	KMS 5023	SPRING ROD	1
7	KMS 2127	THRUST WASHER	2
8	KMS 2079	NEEDLE SUPPORT	1
9	KMS 1031	NEEDLE CARRIER	1
10	KMS 1032	PILE SUPPORT NEEDLE	2
11	KMS 0086	NYLON LOOP STRAP	1
12	KMS 1075	STUB SHAFT	1
13	KMS 5028	COLLAR	1
14	KMS 0058	NEEDLE SHAFT BEARING	2
15	KMS 1015	1" CAM FOLLOWER	1
16	H-187	SOCKET HD CAPSCREW	1
17	H-190	SOCKET HD CAPSCREW	1
18	H-169	HEX JAM NUT	2
19	H-126	JAM NUT	2
20	H-175	SHOULDER BOLT	2
21	H-150	FLAT WASHER	1
22	H-120	LOCK WASHER	1
23	H-242	SET SCREW	2
24	H-241	BUTTON HD CAPSCREW	1
25	ET 185	ADAPTOR	1
26	H-123	SOCKET HD CAPSCREW	1
27	H-153	LOCK WASHER	1
28	H-152	JAM NUT	1
29	KMS 2102	NEEDLE CAM LEVER	1
30	H-167	SOCKET HD CAPSCREW	1
31	H-250	SOCKET HD CAPSCREW	1

LIFT HOOK ASSEMBLY

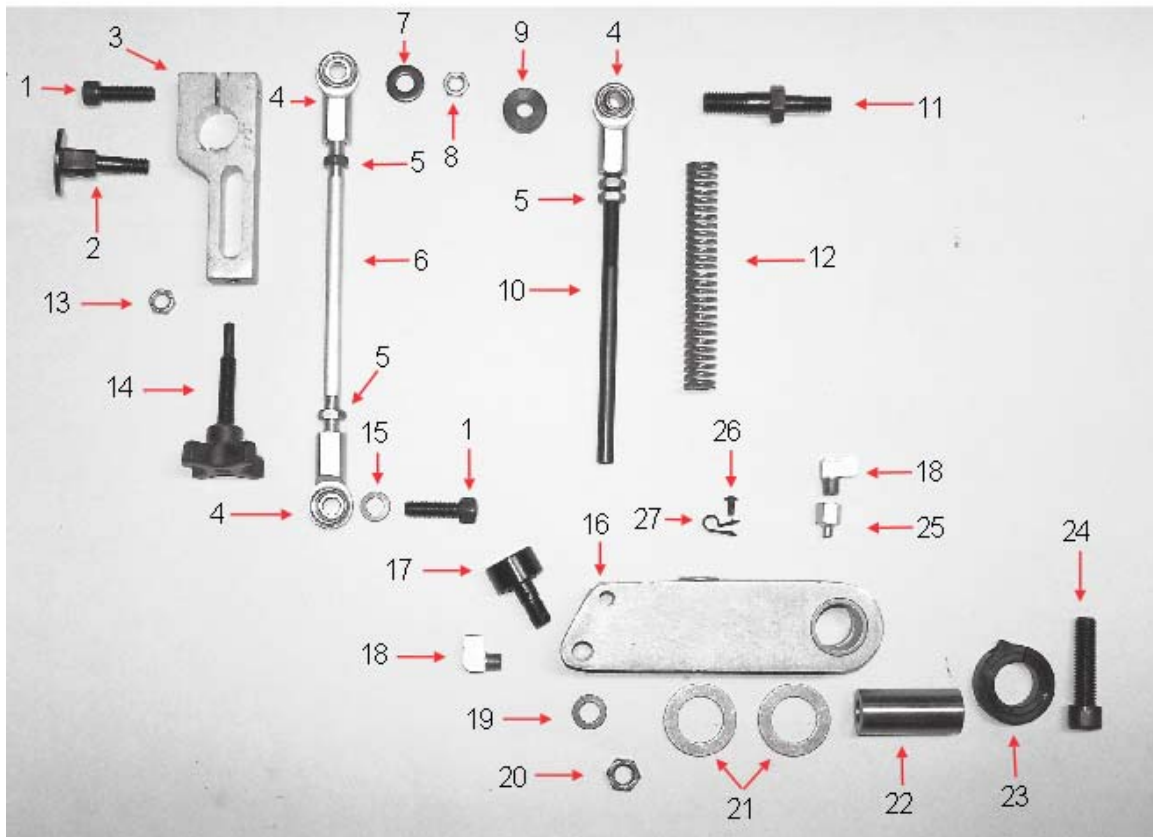
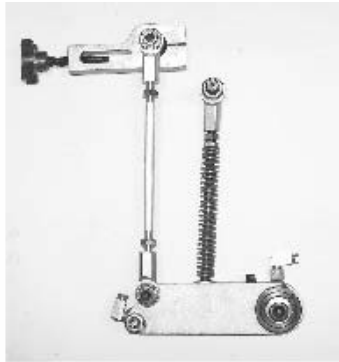


LIFT HOOK ASSEMBLY

Sheet 1 of 2

ITEM	PART NUMBER	DESCRIPTION	QUANTITY
1	KMS 2038	HELICAL SPRING	1
2	KMS 1056	ROD END	1
3	KMS 1050	LIFT HOOK LEVER ASSEMBLY	1
4	KMS 2039	SHOULDER BOLT	1
5	KMS 2121	COLLAR	1
6	KMS 1077	CAM FOLLOWER 7/8"	1
7	KMS 0150	LIFT HOOK BUMPER CAM	1
8	KMS 1022	LIFT HOOK LEG	1
9	KMS 2037	LIFT HOOK FOOT	1
10	H-114	SOCKET HD CAPSCREW	1
11	H-127	FLAT WASHER	1
12	H-170	NYLON JAM NUT	1
13	H-245	THRUST WASHER	1
14	H-163	NYLON JAM NUT	1
15	H-166	SOCKET HD CAPSCREW	1
16	H-239	THRUST WASHER	1
17	H-244	SHOULDER BOLT	1
18	H-172	NYLON JAM NUT	1
19	H-001	SOCKET HD CAPSCREW	2
20	H-120	LOCK WASHER	2
21	H-178	45° GREASE FITTING	1

LIFT HOOK ASSEMBLY

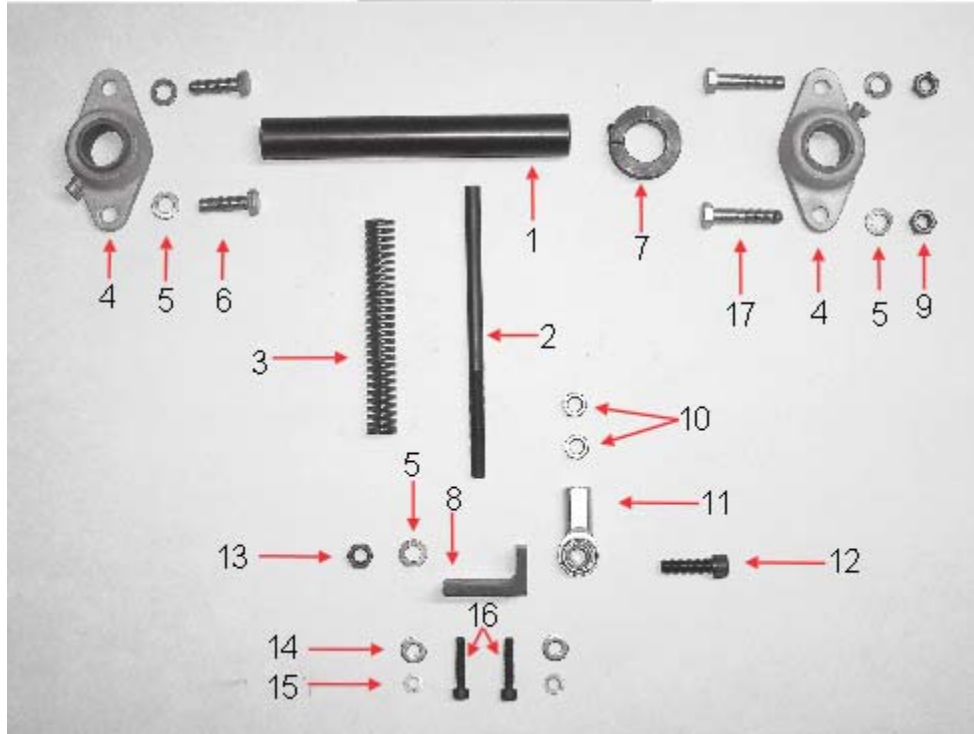


LIFT HOOK ASSEMBLY

Sheet 2 of 2

ITEM	PART NUMBER	DESCRIPTION	QUANTITY
1	H-122	SOCKET HD CAPSCREW	2
2	KMS 1055	OPERATING LEVER STUD	1
3	KMS 1046	OPERATING LEVER	1
4	KMS 1047	ROD END	3
5	H-141	JAM NUT	4
6	KMS 1048	TIE ROD	1
7	KMS 2058	FLAT WASHER	1
8	H-246	NYLON LOCK NUT	1
9	KMS 5002	SPACER	1
10	KMS 1057	SPRING GUIDE	1
11	KMS 5032	SPRING HANGER	1
12	KMS 1017	HELICAL SPRING (GREEN)	1
13	H-203	JAM NUT	1
14	KMS 2124	ADJUST KNOB ASSY	1
	INCLUDES		
	KMS 1053	HAND KNOB	1
	KMS 1054	ADJUSTING SCREW	1
	H-215	ROLL PIN	1
15	H-115	LOCK WASHER	1
16	KMS 1049	LIFT HOOK LEVER ASSEMBLY	1
17	KMS 1076	CAM FOLLOWER 1 1/8"	1
18	KMS 0041	90° GREASE FITTING	2
19	H-153	LOCK WASHER	1
20	H-152	JAM NUT	1
21	KMS 2127	THRUST WASHER	2
22	KMS 1075	STUB SHAFT	1
23	KMS 5028	LOCKING COLLAR	1
24	H-123	SOCKET HD CAPSCREW	1
25	ET 185	ADAPTER	1
26	H-241	BUTTON HD CAPSCREW	1
27	KMS 0086	NYLON LOOP	1

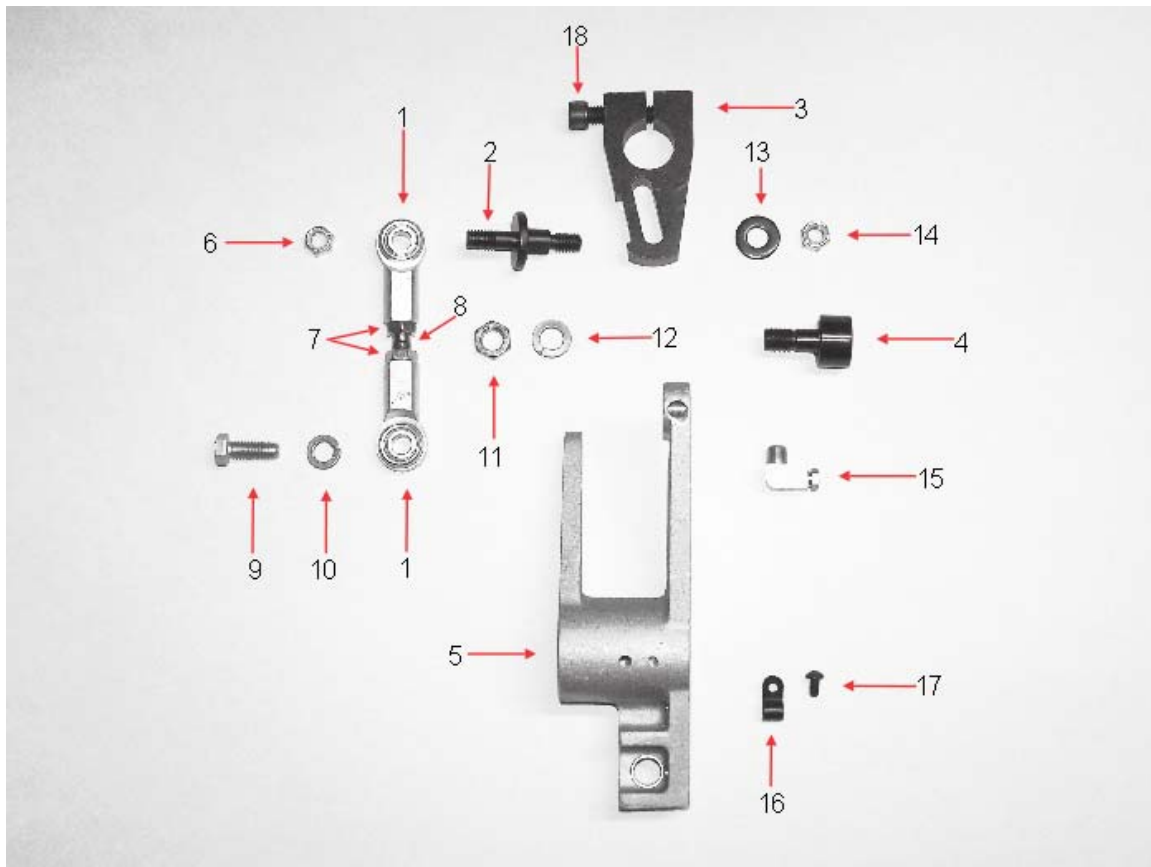
SUCKER SYSTEM



Sheet 1 of 3

ITEM	PART #	DESCRIPTION	QUANTITY
1		LIFTER BAR SHAFT	1
2	KMS 1057	SPRING ROD	1
3	KMS 1017B	MED LOAD SPRING	1
4		FLANGE BEARING	2
5	H-115	LOCK WASHER	4
6	H-263	HEX HEAD CAPSCREW	2
7	KMS 5028	COLLAR	1
8	KMS 2435	SPRING MOUNT BRACKET	1
9	H-133	HEX NUT	2
10	H-141	JAM NUT	2
11	KMS 1047	ROD END	1
12	H-122	SOCKET HD CAPSCREW	1
13	H-174	JAM NUT	1
14	H-150	FLAT WASHER	2
15	H-120	LOCK WASHER	2
16	H-113	SOCKET HD CAPSCREW	2
17	H-263	HEX HEAD CAPSCREW	2

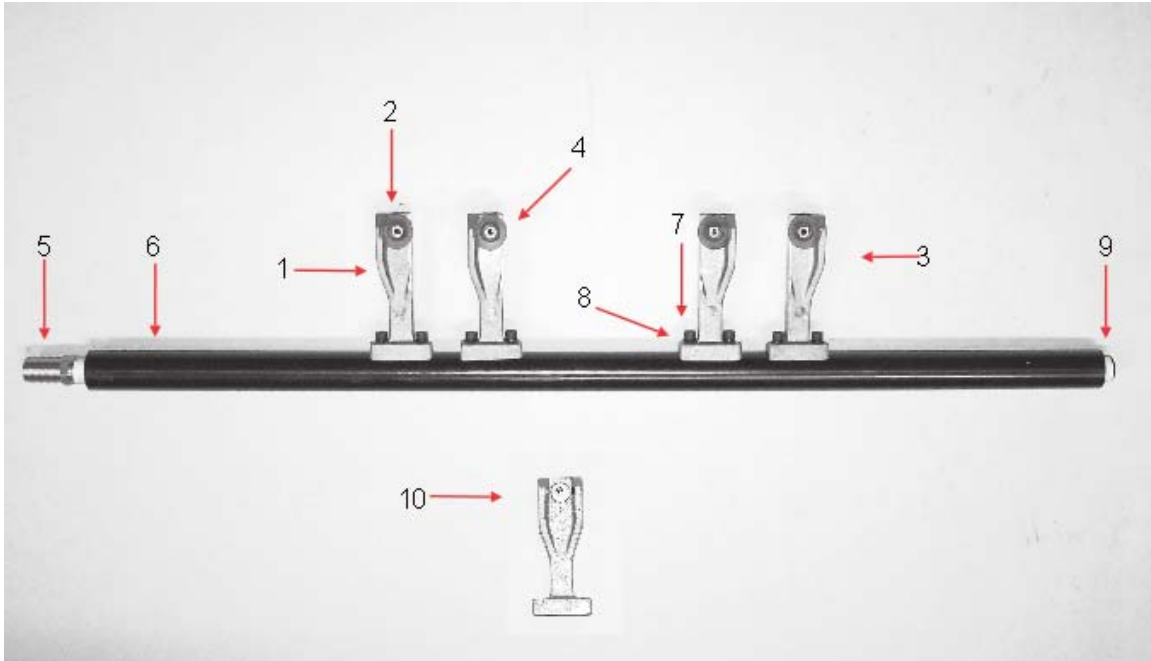
SUCKER SYSTEM



Sheet 2 of 3

ITEM	PART #	DESCRIPTION	QUANTITY
1	KMS 1047	ROD END	2
2	KMS 2115	SUCKER ADJUSTING STUD	1
3	KMS 1052	SUCKER OPERATING LEVER	1
4	KMS 1015	CAM FOLLOWER	1
5	KMS 2025	SUCKER LEVER	1
		INCLUDES	
	KMS 2025FB	BUSHING	1
	KMS 1090B	BUSHING	2
6	H-189	NYLON LOCK NUT	2
7	H-141	JAM NUT	2
8	H-142	THREADED ROD	1
9	H-232	HEX HEAD	1
10	H-146	LOCK WASHER	1
11	H-152	JAM NUT	1
12	H-153	LOCK WASHER	1
13	KMS 2058	FLAT WASHER	1
14	H-189	NYLON LOCK NUT	1
15	KMS 0041	ELBOW	1
16	KMS 0086	NYLON LOOP	1
17	H-183	BUTTON HD CAPSCREW	1
18	H-114	SOCKET HD CAPSCREW	1

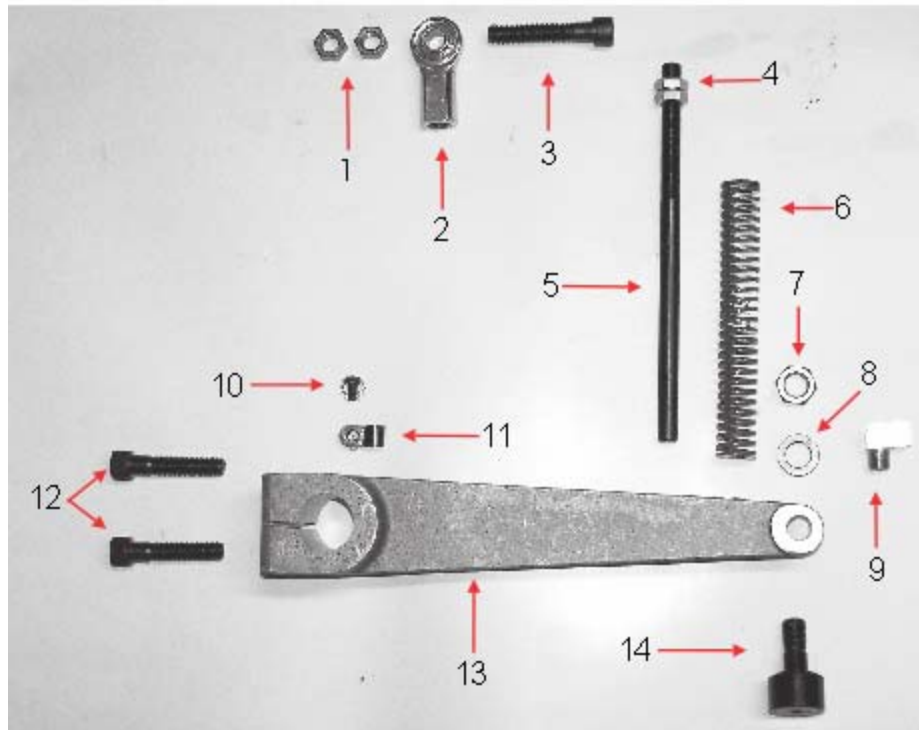
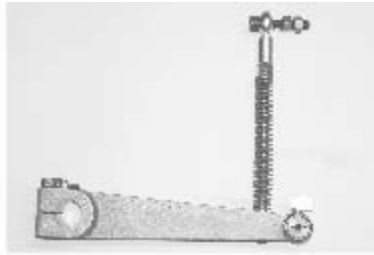
SUCKER SYSTEM



Sheet 3 of 3
PART

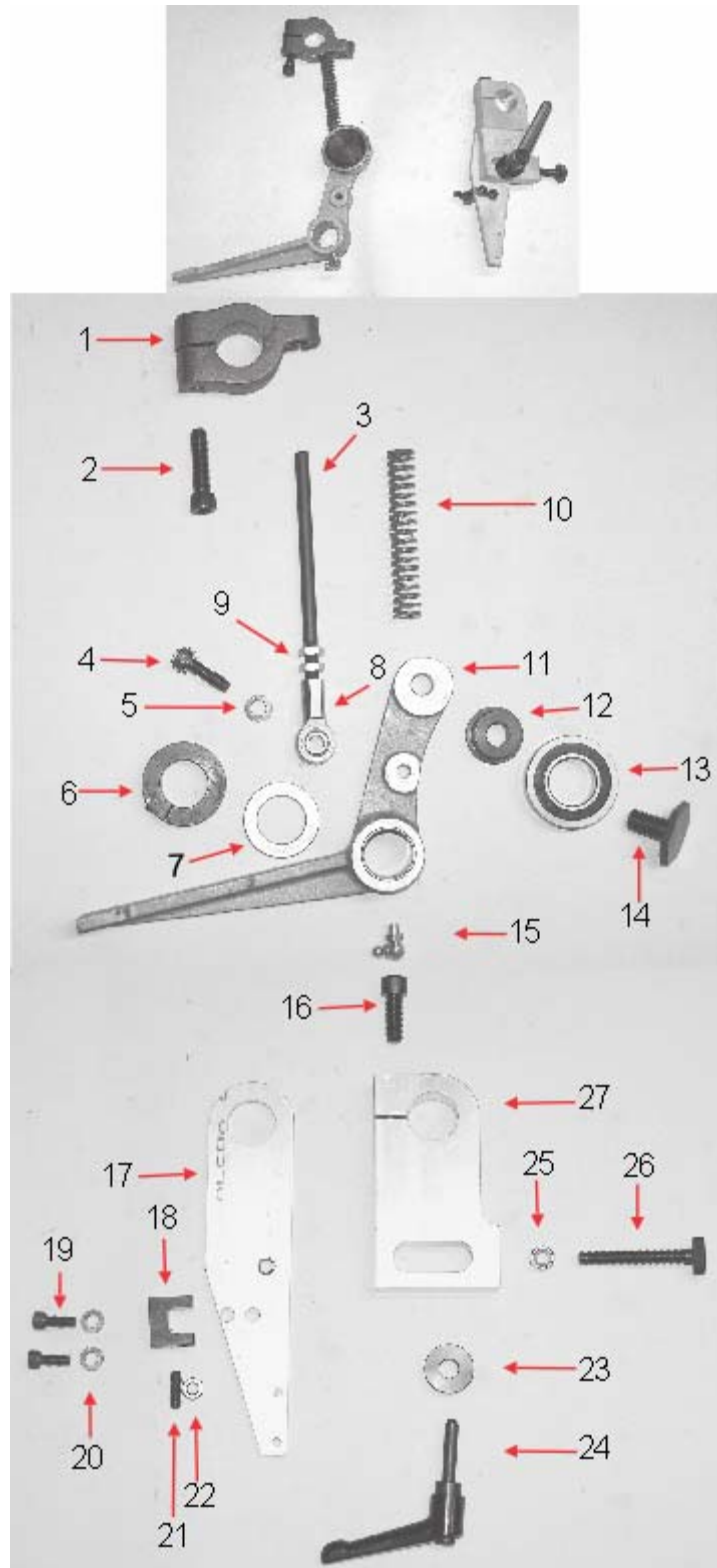
ITEM	NUMBER	DESCRIPTION	QUANTITY
1	KMS 2003	SUCKER STEM (LEFTHAND)	2
2	H-243	SET SCREW	4
3	KMS 2002	SUCKER STEM (RIGHTHAND)	2
4	KMS 36B	GREEN SUCKER	4
5	KMS 2116	HOSE NIPPLE	1
6	KMS 2027	SUCKER TUBE	1
7	H-207	SOCKET HD CAPSCREW	8
8	H-136	LOCKWASHER	8
9	H-134	NPT PIPE PLUGS	1
10	KMS 1024	SUCKER STEM (FULL)	1

CALIPER



ITEM	PART NUMBER	DESCRIPTION	QUANTITY
1	H-147	HEX NUT	2
2	KMS 1047	ROD END	1
3	H-106	SOCKET HD CAPSCREW	1
4	H-141	JAM NUT	2
5	KMS 1057	SPRING GUIDE	1
6	KMS 1017	SPRING (GREEN)	1
7	H-152	JAM NUT	1
8	H-153	LOCK WASHER	1
9	KMS 0041	ELBOW FITTING	1
10	H-241	BUTTON HD CAPSCREW	1
11	KMS 0086	NYLON LOOP STRAP	1
12	H-139	SOCKET HD CAPSCREW	2
13	KMS 1030	CALIPER OPERATING LEVER	1
14	KMS 1015	CAM FOLLOWER 1"	1

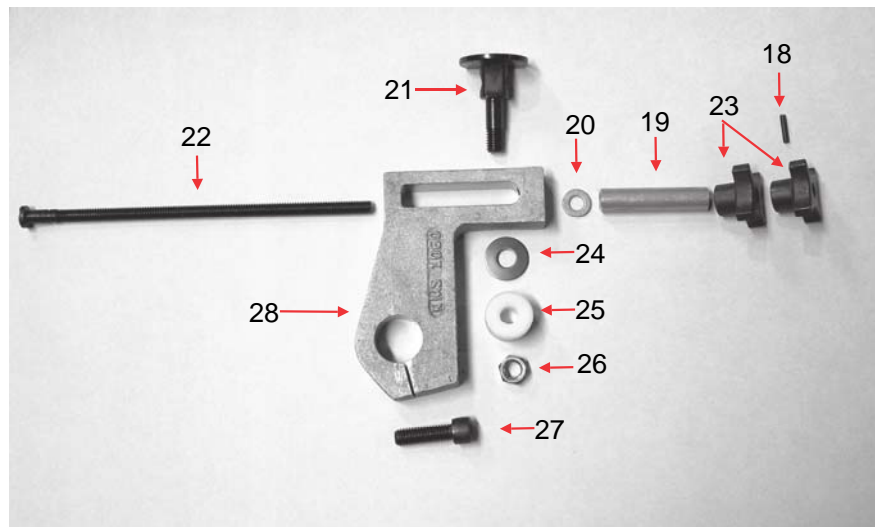
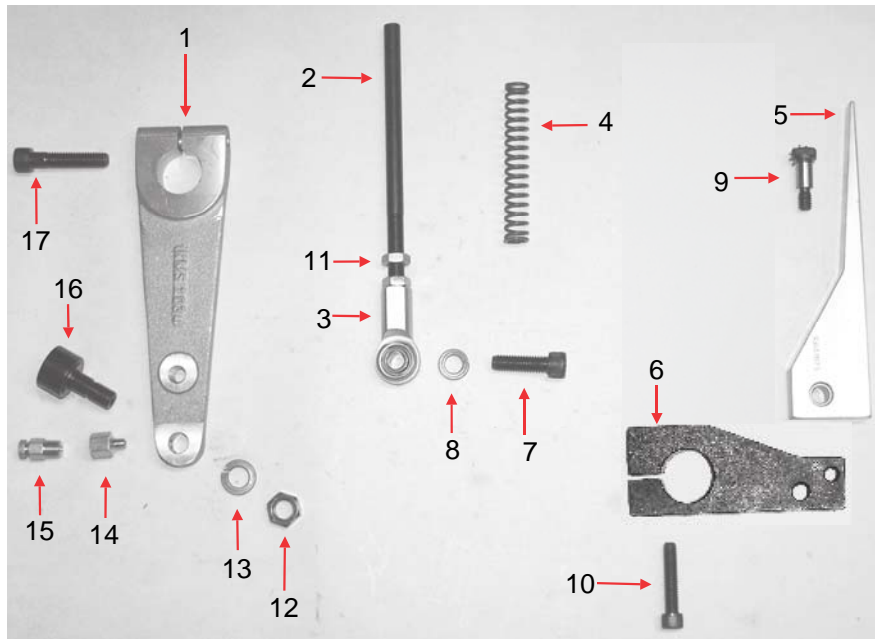
DOUBLE CALIPER MECHANISM



DOUBLE CALIPER MECHANISM

ITEM	PART NUMBER	DESCRIPTION	QUANTITY
1	KMS 5026	SPRING GUIDE BRACKET	1
2	H-114	SOCKET HD CAPSCREW	1
3	KMS 5023	SPRING ROD	1
4	H-165	SOCKET HD CAPSCREW	1
5	H-164	LOCK WASHER	1
6	KMS 5028	COLLAR	1
7	KMS 2127	THRUST WASHER	1
8	KMS 5020	ROD END	1
9	H-126	JAM NUT	2
10	KMS 5024	SPRING	1
11	KMS 5027	DOUBLE CALIPER FRAME	1
12	KMS 5017	CALIPER ROLLER PLUG	1
13	KMS 5016	BEARING	1
14	KMS 5015	CALIPER ROLLER STUD	1
15	KMS 5018	90° LUBRICATION FITTING	1
16	H-145	SOCKET HD CAPSCREW	1
17	KMS 5009	SWITCH FRAME	1
18	KMS 5012	ADJUSTING BAR	1
19	H-001	SOCKET HD CAPSCREW	2
20	H-120	LOCK WASHER	2
21	H-247	SET SCREW	1
22	H-203	JAM NUT	1
23	KMS 5002	SPACER	1
24	KMS 5001	CARRIER ADJUST HANDLE	1
25	H-163	NYLON JAM NUT	1
26	KMS 5006	THUMB SCREW	1
27	KMS 5003	ROCKER ARM CLAMP	1
	NOT PICTURED		
	KMS 5008	MICRO SWITCH	1
	DD 1000	DOUBLE CALIPER MECH. & MICRO SWITCH ASSEMBLY	

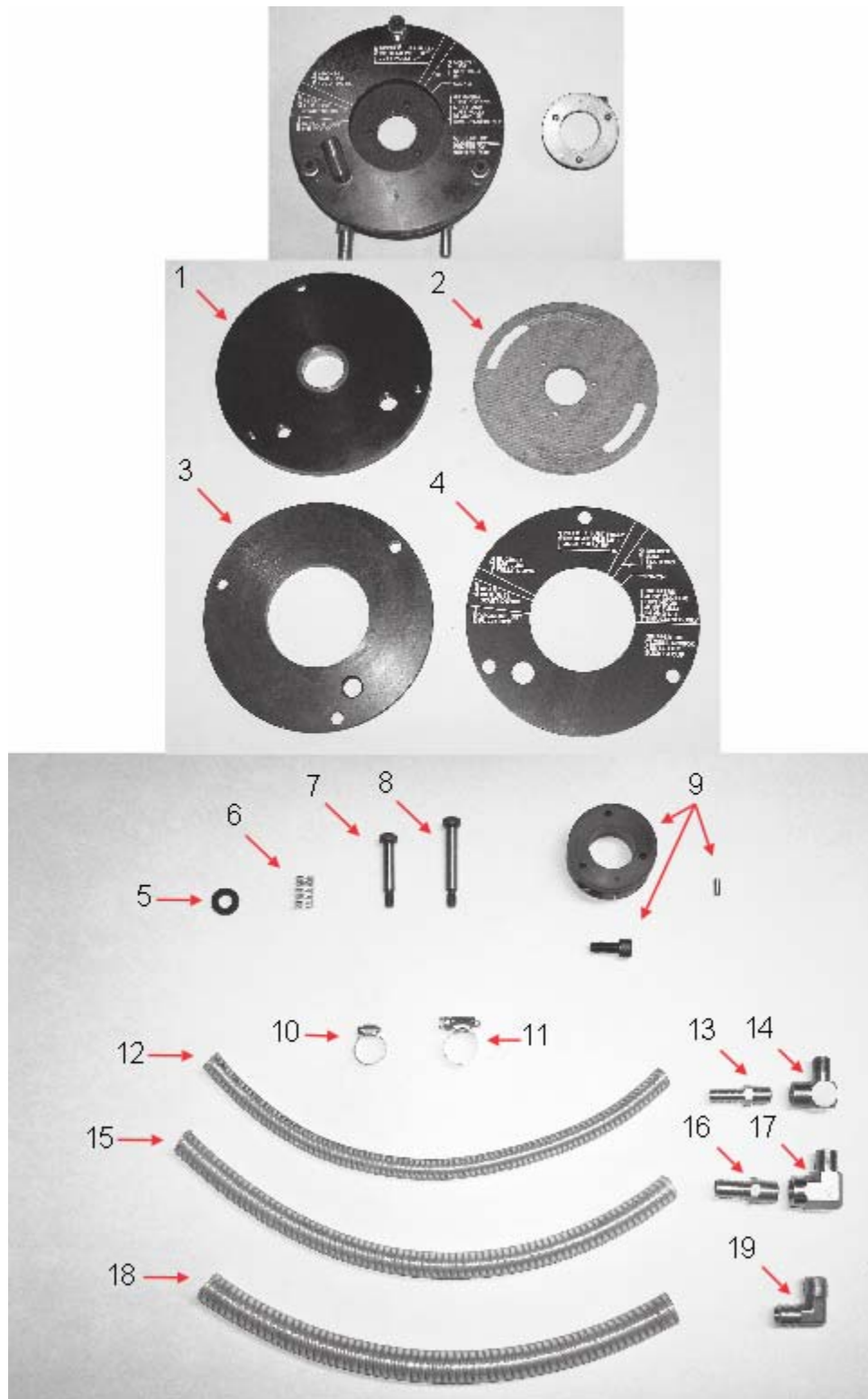
REAR PILE LIFT ASSEMBLY



REAR PILE LIFT ASSEMBLY

ITEM	PART NUMBER	DESCRIPTION	QUANTITY
1	KMS 1034	CAM LEVER	1
2	KMS 1057	SPRING ROD	1
		MOUNTS THRU FRAME WITH	
	KMS 1090FB	FLANGE BUSHING	1
3	KMS 1047	ROD END	1
4	KMS 5024R	SPRING	1
5	KMS 1025	LIFTER BAR	1
6	KMS 9312	REAR PILE SUPPORT	1
7	H-122	SOCKET HD CAPSCREW	1
8	H-115	LOCK WASHER	1
9	H-188	SHOULDER BOLT	1
10	H-167	SOCKET HD CAPSCREW	1
11	H-141	JAM NUT	2
12	H-152	JAM NUT	1
13	H-153	LOCKWASHER	1
14	ET 185	ADAPTOR	1
15	KMS 0040	STRAIGHT GREASE FITTING	1
16	KMS 1015	CAM FOLLOWER 1"	1
17	H-139	SOCKET HD CAPSCREW	1
	KMS 1066	OPERATING LEVER ASSEMBLY	1
18	H-195	ROLL PIN	1
19	KMS 1068	SPACER	1
20	H-239	THRUST WASHER	1
21	KMS 1071	ROLLER STUD	1
22	KMS 1067	ADJUST STUD	1
23	KMS 1069	KNOB	2
24	H-240	BEVELED WASHER	1
25	KMS 1070	LIFTER BAR ROLLER	1
26	H-170	NYLON JAM NUT	1
27	H-122	SOCKET HD CAPSCREW	1
28	KMS 1060	OPERATING LEVER	1

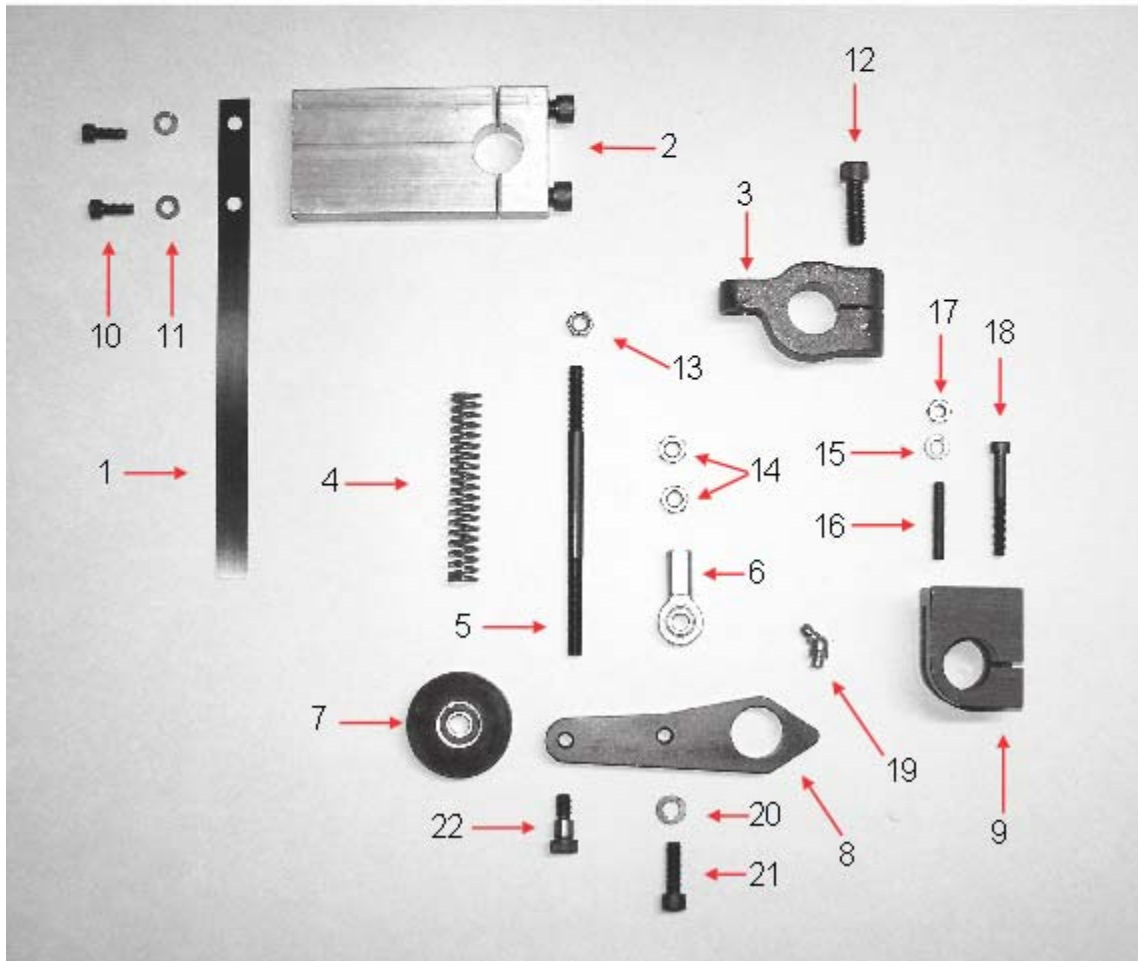
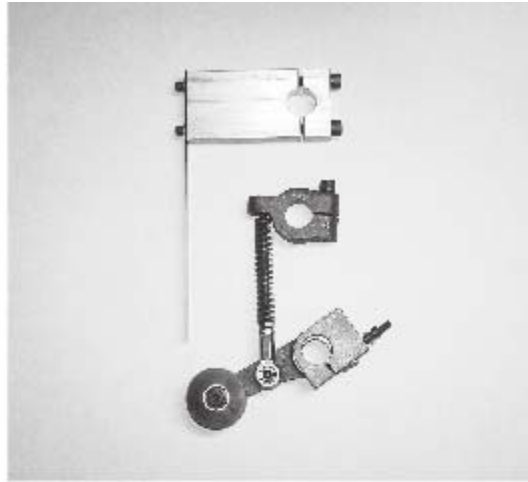
VACUUM VALVE ASSEMBLY



VACUUM VALVE ASSEMBLY

ITEM	PART NUMBER	DESCRIPTION	QUANTITY
1	KMS 2022	VALVE BASE PLATE	1
	INCLUDES		
	KMS 2023	BUSHING	1
2	KMS 2040	VACUUM DISC (FABRIC)	1
	ALSO AVAILABLE		
	KMS 2040P	VACUUM DISC (PLASTIC)	
3	KMS 2021	VALVE SPRING LOAD PLATE	1
4	KMS 0856	TIMING DISC	1
5	KMS 2058	FLAT WASHER	3
6	KMS 2059	HELICAL SPRING	3
7	KMS 1029	SHOULDER BOLT	2
8	H-176	SHOULDER BOLT	1
9	KMS 1088	VALVE DRIVE CLAMP ASSEMBLY	1
	INCLUDES		
	H-145	SOCKET HD CAPSCREW	1
	H-180	STEEL DOWEL PIN	3
10	KMS 0061	HOSE CLAMP	4
11	KMS 0028	HOSE CLAMP	2
12	KMS 2048	HOPPER HOSE 3/8"	1
13	VF-2104	3/8 BARB FITTING	1
14	VF-2100	1/4 ELL FITTING	1
15	KMS 2047	HOPPER HOSE 1/2"	1
16	VF-2102	1/2 BARB FITTING	1
17	VF-2101	3/8 ELBOW FITTING	1
18	KMS 2046	HOPPER HOSE 5/8"	1
19	VF-2103	5/8 BARB FITTING	1

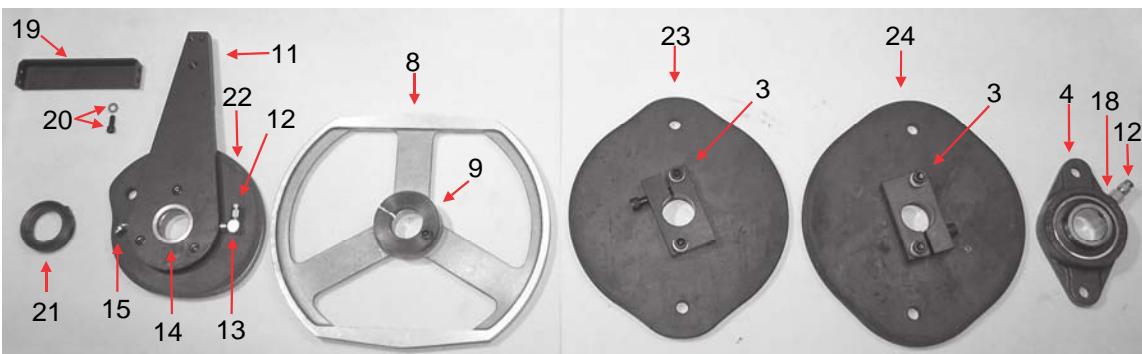
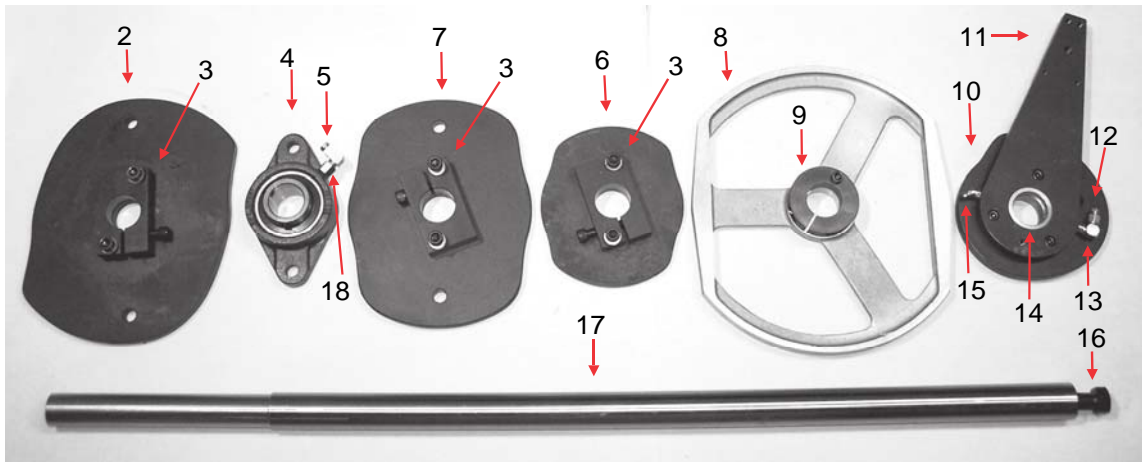
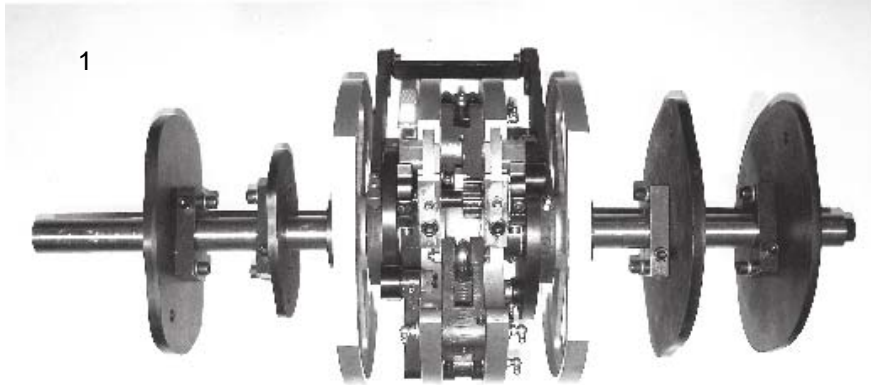
CARRY DOWN ASSEMBLY



CARRY DOWN ASSEMBLY

ITEM	PART NUMBER	DESCRIPTION	QUANTITY
1	KMS 2057	CARRY DOWN BAND	1
2	KMS 2054	CARRY DOWN CLAMP	1
	INCLUDES		
	H-114	SOCKET HD CAPSCREW	2
3	KMS 5026	GUIDE SPRING BRACKET	1
4	KMS 5024	SPRING	1
5	KMS 5031	SPRING ROD	1
6	KMS 5020	ROD END	1
7	KMS 1023	CARRY DOWN WHEEL (INCLUDES BEARING&RETAINING CLIP)	1
8	KMS 1064	CARRY DOWN LEVER	1
9	KMS 1065	STOP BRACKET	1
10	H-001	SOCKET HD CAPSCREW	2
11	H-120	LOCKWASHER	2
12	H-114	SOCKET HD CAPSCREW	1
13	H-110	NYLON LOCKNUT	1
14	H-126	JAM NUT	2
15	H-120	LOCK WASHER	1
16	H-201	SET SCREW	1
17	H-200	JAM NUT	1
18	H-158	SOCKET HD CAPSCREW	1
19	H-178	45° GREASE FITTING	1
20	H-164	LOCKWASHER	1
21	H-165	SOCKET HD CAPSCREW	1
22	H-217	SHOULDER BOLT	1

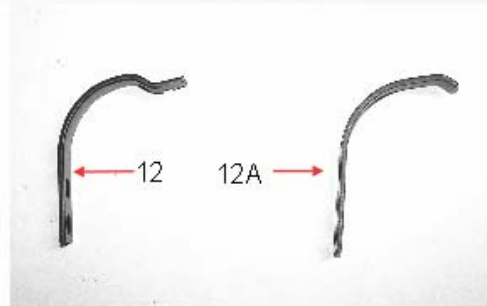
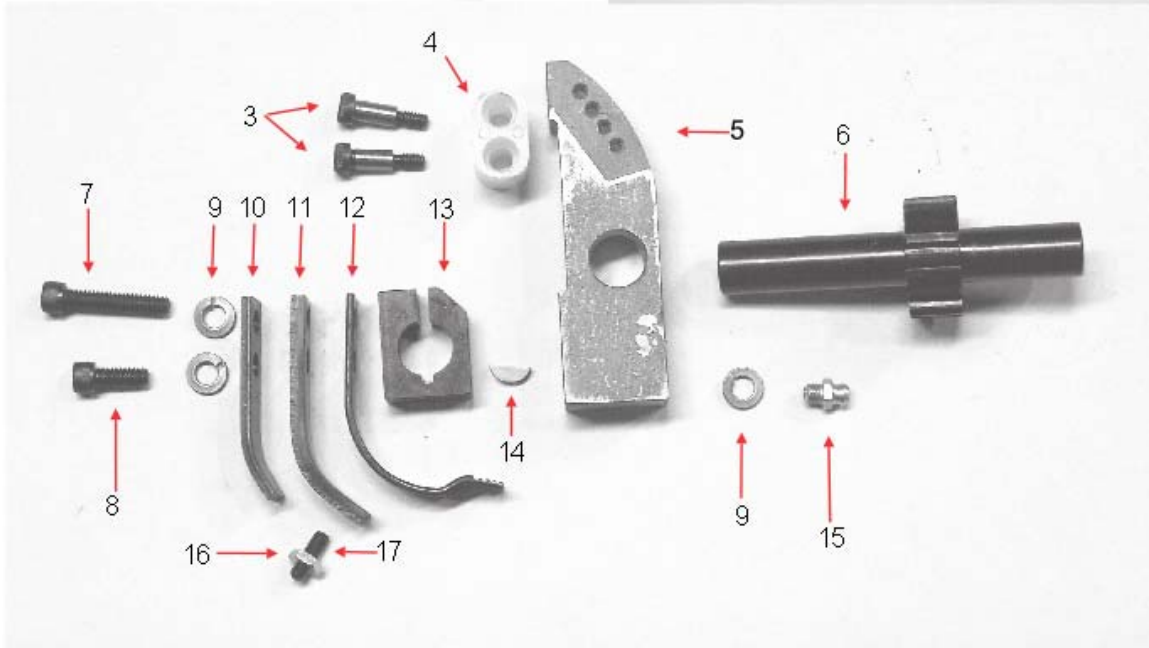
HOPPER DRUM SHAFT ASSEMBLY



MS HOPPER DRUM SHAFT ASSEMBLY

ITEM	PART NUMBER	DESCRIPTION	QUANTITY
1	KMS 2075CS	GRIPPER DRUM SHAFT COMP. (includes KMS 2083 not pictured)	1
2	KMS 2083	LIFT HOOK CAM	1
3	KMS 2085	CAM HUB	5
		MOUNTING	
	H-122	SOCKET HD CAPSCREW	10
	H-115	LOCKWASHER	10
	H-139	SOCKET HD CAPSCREW	5
4	KMS 2017	FLANGE BEARING	2
5	KMS 0041	ELBOW FITTING	1
6	KMS 2087	REAR PILE CAM	1
7	KMS 2084	CALIPER CAM	1
8	KMS 2049	DRUM ROLLER (includes clamp)	2
9	KMS 2041	CLAMP	2
		MOUNTING	
	H-165	SOCKET HD CAPSCREW	2
10	KMS 2088	GRIPPER SPRING CAM	1
11	KMS 2050	CAM CARRIER	2
		MOUNTING	
	H-250	SOCKET HD CAPSCREW	6
	H-160	ROLL PIN	2
12	KMS 0040	STRAIGHT FITTING	3
13	ET 184	ELBOW	2
14	KMS 2016	BRONZE BUSHING	2
15	H-178	45° GREASE FITTING	2
16	KMS 2110	LEFT HAND BOLT	1
17	KMS 2018	HOPPER DRUM SHAFT	1
18	ET 185	ADAPTER	2
19	KMS 2051	CARRIER HANDLE	1
20		MOUNTING FOR KMS 2051	
	H-001	SOCKET HD CAPSCREW	4
	H-120	LOCKWASHER	4
21	KMS 2089	COLLAR	1
22	KMS 2090	GRIPPER CAM	1
23	KMS 2091	SUCKER SWING CAM	1
24	KMS 2092	NEEDLE CAM	1

GRIPPER DRUM ASSEMBLY

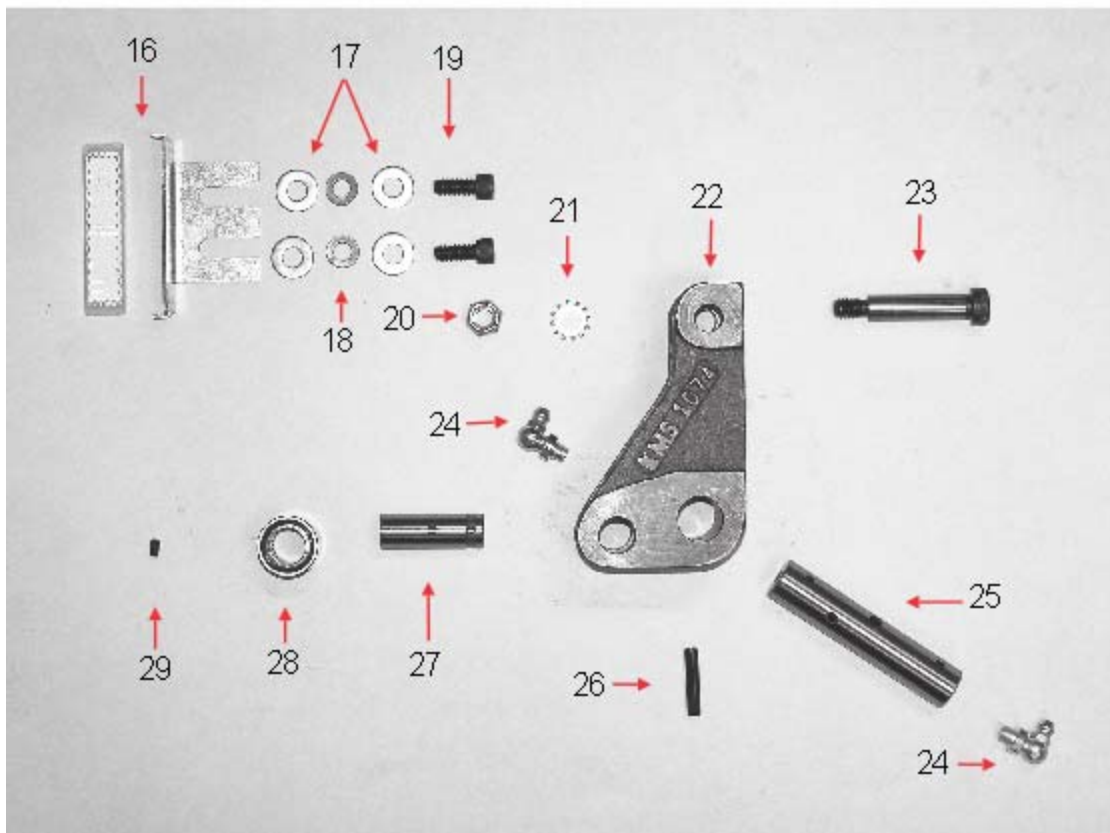
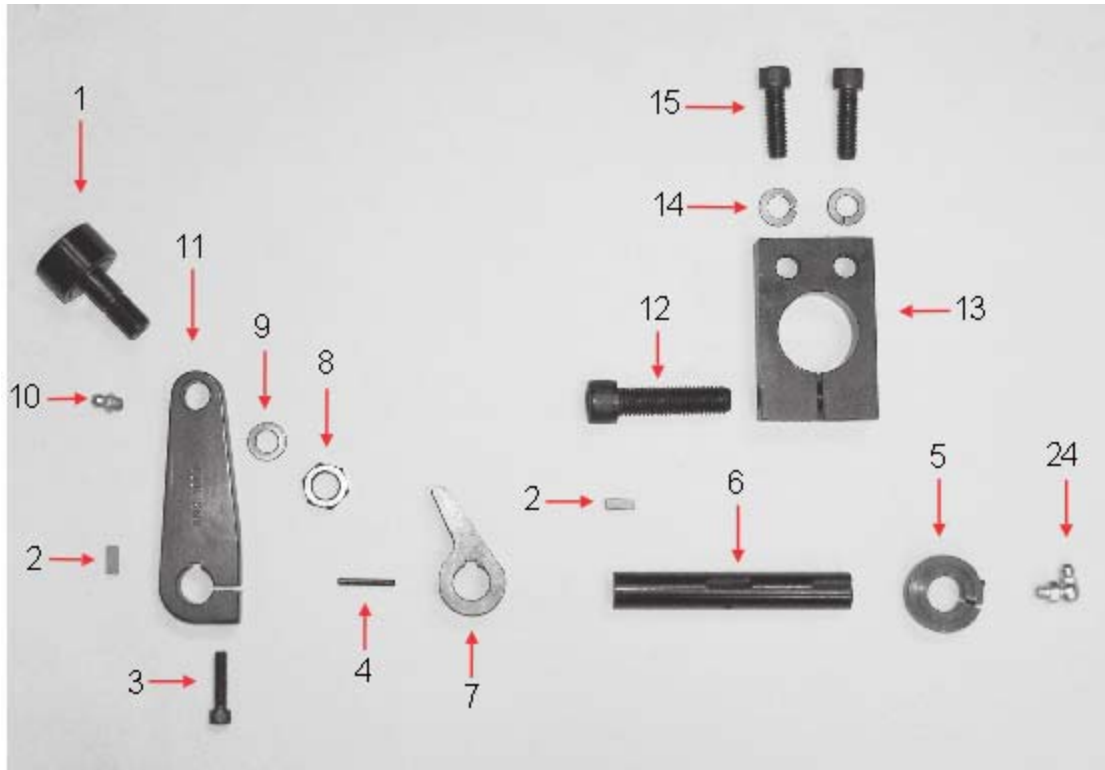


GRIPPER DRUM ASSEMBLY

Sheet 1 of 3

PART			
ITEM	NUMBER	DESCRIPTION	QUANTITY
1	KMS 2075C	GRIPPER DRUM COMPLETE	1
2	KMS 2075	GRIPPER DRUM	1
A	BUSHING & BEARING	KMS 2001 (COMPLETE) (KMS 2001S BUSHING KMS 8010 BEARING)	8
	PLUS	KMS 1016	4
B	ALL BUSHING	KMS 1016	12
3	KMS 1028	SHOULDER BOLT	4
4	KMS 1010	SEAT GRIPPER	2
OR	KMS 1044	SEAT GRIPPER-STEEL	
5	KMS 1038	GRIPPER SUPPORT	2
6	KMS 1039*	GRIPPER GEARSHAFT	1
7	H-002	SOCKET HD CAPSCREW	2
8	H-001	SOCKET HD CAPSCREW	2
9	H-120	LOCKWASHER	6
10	KMS 1037	GRIPPER BACKUP SPRING	2
11	KMS 1036	BACK UP LUG	2
12	KMS 1035	FLAT GRIPPER	2
12A	KMS 2043	MEDIUM GRIPPER	2
13	KMS 1043	GRIPPER CARRIER	2
OR	KMS 8019	GRIPPER CARRIER(w/KMS 8004)	
14	H-005	WOODRUFF KEY	2
15	G 101	LUBRICATION FITTING	2
16	H-004	HEX NUT	2
17	H-003	SET SCREW	2
18	KMS 1038A	GRIPPER ASSEMBLY	2
		MOUNTING FOR GRIPPER ASSY TO DRUM	
	H-139	SOCKET HD CAPSCREW	2
*	ALSO AVAILABLE		
	KMS 1039DK	GRIPPER GEARSHAFT (double key)	
	KMS 8004	GRIPPER GEARSHAFT (half teeth)	

GRIPPER DRUM ASSEMBLY

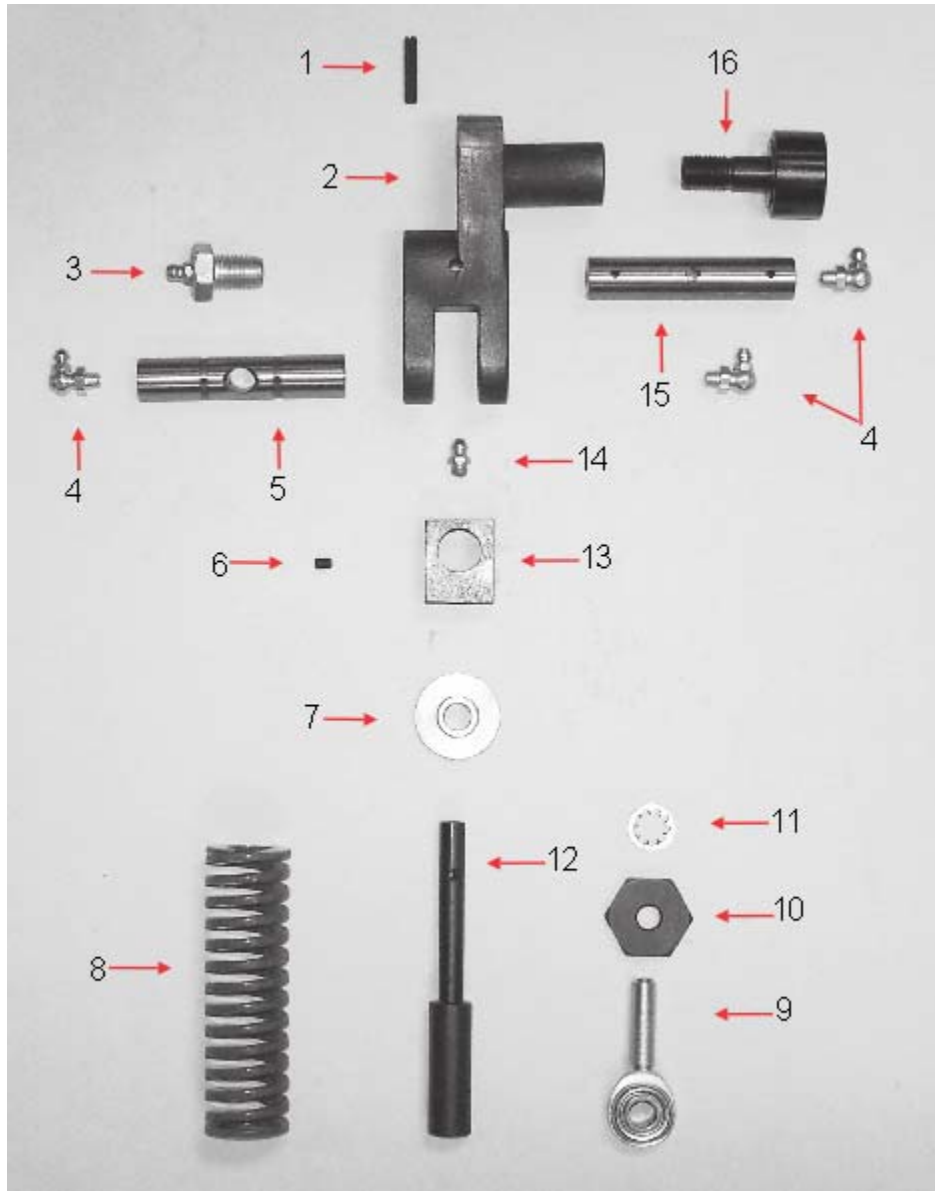


GRIPPER DRUM ASSEMBLY

Sheet 2 of 3

ITEM	PART NUMBER	DESCRIPTION	QUANTITY
1	KMS 1072	CAM FOLLOWER 1 1/4"	2
2	H-117	SQUARE KEY	4
3	H-187H	SOCKET HD CAPSCREW	2
4	H-264	ROLL PIN	2
5	KMS 1040	LOAD SHAFT CLAMP	2
6	KMS 1008	LOAD CAM LEVER SHAFT	2
7	KMS 1009	LOAD CAM LEVER	2
8	H-111	HEX NUT	2
9	H-112	LOCK WASHER	2
10	G 101	LUBRICATION FITTING	2
11	KMS 1007	LOAD CAM LEVER	2
12	H-248	SOCKET HD CAPSCREW	2
13	KMS 1041	GRIPPER DRUM DRIVER	2
14	H-115	LOCK WASHER	4
15	H-122	SOCKET HD CAPSCREW	4
16	KMS 4110Y	REFLECTOR ASSEMBLY	2
	INCLUDES		
	KMS 4110B	RECTANGULAR BRACKET	1
	KMS 4110YR	YELLOW REFLECTOR	1
17	H-150	FLAT WASHER	8
18	H-120	LOCK WASHER	4
19	H-001	SOCKET HD CAPSCREW	4
20	H-110	NYLON LOCK NUT	2
21	H-109	EXTERNAL LOCK WASHER	2
22	KMS 1074	ROCKER ARM	2
23	KMS 1029	SHOULDER BOLT	2
24	G 102	LUBRICATION FITTING	6
25	KMS 2501	ROCKER ARM SHAFT	2
26	H-107	SPRING PIN	2
27	KMS 8022	SHAFT	2
28	KMS 1014	LEVER ROLLER	2
29	H-182	SET SCREW	2

GRIPPER DRUM ASSEMBLY



GRIPPER DRUM ASSEMBLY

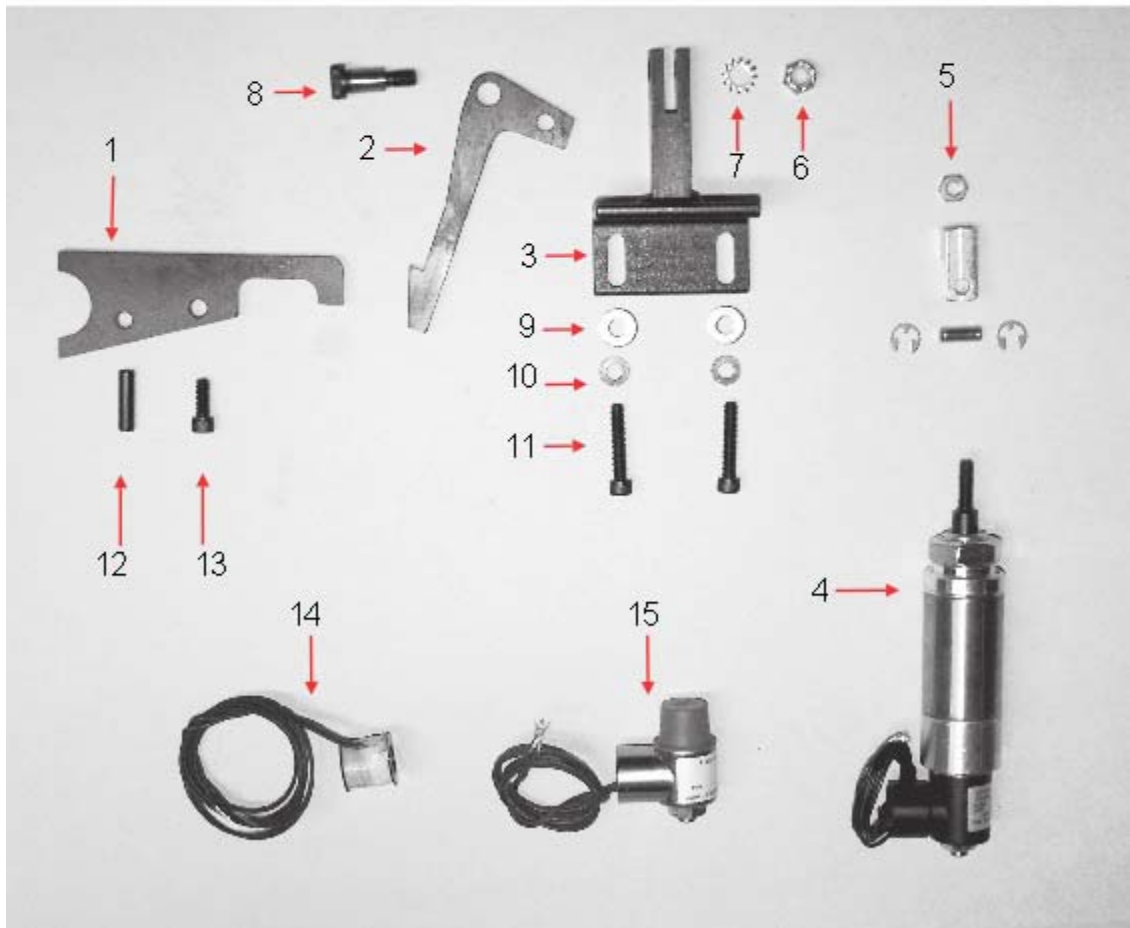
Sheet 3 of 3

ITEM	PART NUMBER	DESCRIPTION	QUANTITY
1	H-107	SPRING PIN	2
2	KMS 1003XSB*	GRIPPER GEAR SEGMENT (STEEL W/NEEDLE BEARINGS)	2
3	KMS 1073	CAMROL STUD	2
4	G 102	LUBRICATION FITTING	6
5	KMS 8013	SPRING BLOCK PIN	2
6	H-108	SET SCREW	2
7	KMS 1005	SPRING SEAT	2
8	KMS 1042	HELICAL SPRING	2
9	KMS 1012	ROD END BEARING	2
10	KMS 1011	SPRING NUT	2
11	H-119	INTERNAL LOCKWASHER	2
12	KMS 1006	SPRING ROD	2
13	KMS 8016	SPRING BLOCK	2
14	G 101	LUBRICATION FITTING	2
15	KMS 2500	SEGMENT PIVOT SHAFT	2
16	KMS 1072	CAM FOLLOWER	2

*ALSO AVAILABLE

KMS 1003	GRIPPER GEAR SEGMENT (PLAIN BRONZE)
KMS 1003B	GRIPPER GEAR SEGMENT (BRONZE W/NEEDLE BEARINGS)
KMS 1003XS	GRIPPER GEAR SEGMENT (STEEL W/BUSHINGS)

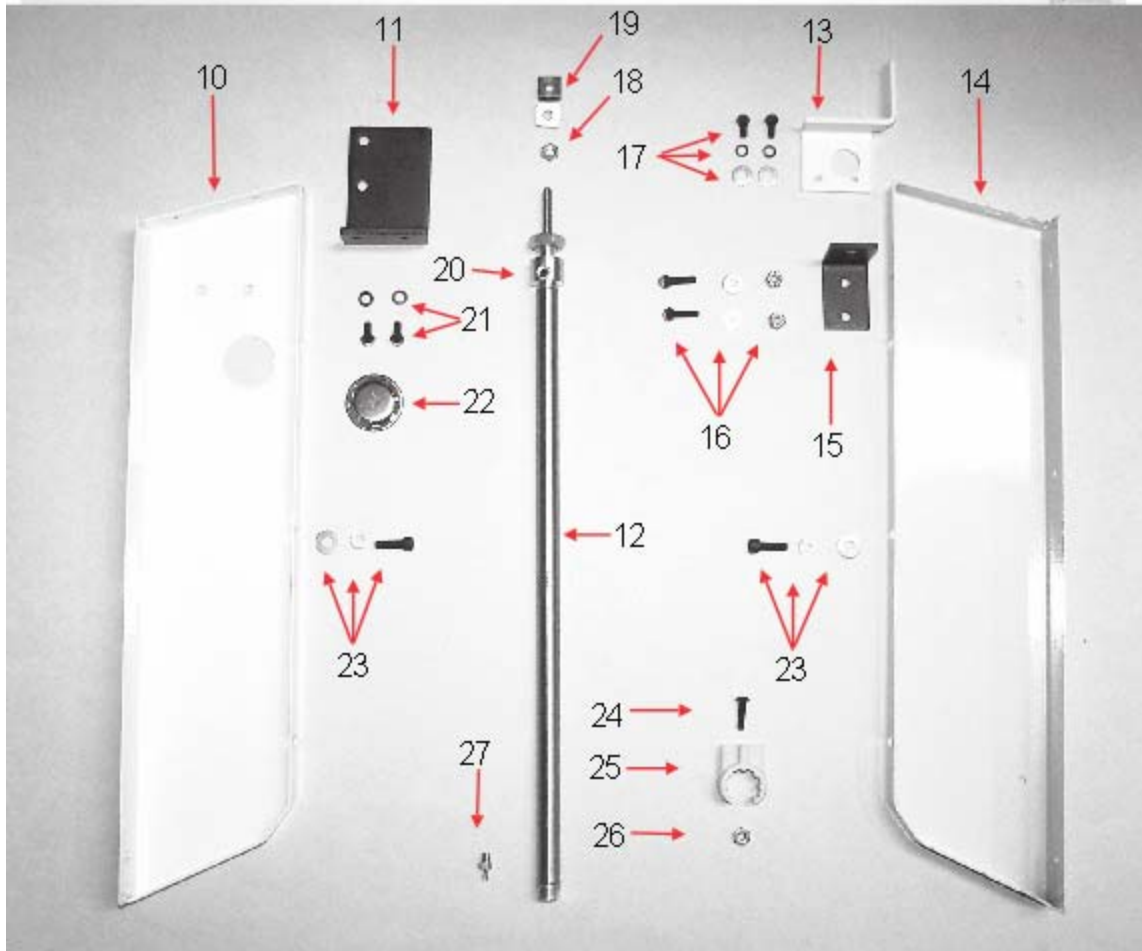
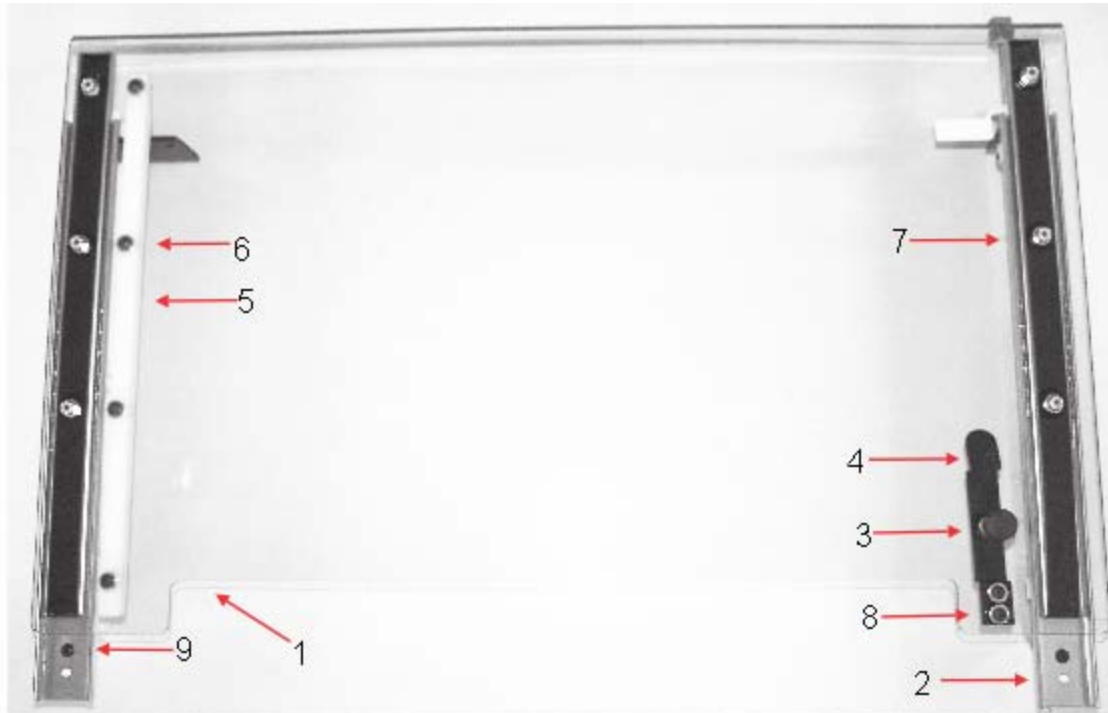
INHIBIT MECHANISM



HOPPER INHIBIT MECHANISM

ITEM	PART NUMBER	DESCRIPTION	QUANTITY
1	KMS 3104	INHIBIT LEVER	1
2	KMS 3105	INHIBIT LATCH	1
3	KMS 3106	MOUNTING BRACKET	1
4	KMS 1026	HOPPER INHIBIT VALVE	1
5	KMS 3116	CLEVIS	1
	ALSO	AVAILABLE	
	KMS 3116C	CLEVIS PIN CLIP	
	KMS 3116P	CLEVIS PIN	
6	H-110	NYOLN LOCKNUT	1
7	H-109	EXTERNAL LOCKWASHER	1
8	H-188	SHOULDER BOLT	1
9	H-150	WASHER	2
10	H-120	LOCKWASHER	2
11	H-113	SOCKET HD CAPSCREW	2
12	H-160	ROLL PIN	1
13	H-001	SOCKET HD CAPSCREW	1
14	KMS 3121	COIL	1
15	KMS 3120	ACTUATOR	1

HOPPER GUARD



GUARD		Sheet 1 of 2	
ITEM	PART #	DESCRIPTION	QUANTITY
	KMS 7003MS	HOPPER GUARD ASSY	1
1	KMS 7004S	GUARD	1
2	KMS 8985	SLIDE	2
3	KMS 1093	KNURLED HEAD SCREW	1
	H-213	HEX NUT	1
	H-203	JAM NUT	
4	KMS 9812	STRIKE	1
5	KMS 9816	SWITCH ACTIVATOR	1
6	MOUNTING FOR ACTIVATOR TO GUARD		
	H-137	WASHER	4
	H-257	LOCKWASHER	4
	H-183	BUTTON HEAD CAPSCREW	4
7	MOUNTING FOR SLIDE TO GUARD		
	H-253	BUTTON HEAD CAPSCREW	6
	H-255	LOCK NUT	6
8	MOUNTING FOR STRIKE		
	H-183	BUTTON HEAD CAPSCREW	2
	H-137	WASHER	2
9	MOUNTING FOR SLIDE TO FRAME		
	H-253	BUTTON HEAD CAPSCREW	8
	H-255	LOCK NUT	8
10	KMS 9807MS	LEFT BRACKET	1
11	KMS 9814S	SWITCH BRACKET	1
12	KMS 9527	HOPPER DOOR CYLINDER	1
13	KMS 9808	LATCH	1
14	KMS 9809MS	RIGHT BRACKET	1
15	KMS 9527B	CYLINDER BRACKET	1
16	MOUNTING FOR CYLINDER BRACKET		
	H-254	BUTTON HD CAPSCREW	2
	H-137	WASHER	2
	H-255	LOCK NUT	2
17	MOUNTING FOR LATCH		
	H-252	BUTTON HD CAPSCREW	2
	H-257	LOCK WASHER	2
	H-137	WASHER	2
18	H-004	HEX NUT	1
19	KMS 9815	WEDGE NUTS (SET OF 2)	1
20	H-251	SET SCREW	1
21	MOUNTING FOR SWITCH BRACKET		
	H-136	LOCK WASHER	2
	H-241	BUTTON HD CAPSCREW	2
22	KMS 9805	PLUG	1
23	MOUNTING FOR GUARD TO HOPPER		
	H-207	SOCKET HEAD CAPSCREW	8
	H-136	LOCK WASHER	8
	H-204	WASHER	8
24	H-254	BUTTON HD CAPSCREW	1
25	KMS 9810	TUBING CLAMP	1
26	H-256	HEX NUT	1
27	KMS 9527F	CYLINDER FITTING	1
	NOT SHOWN		
	KMS 5008R	MICRO SWITCH	1
	KMS 9806	BUMPER	2

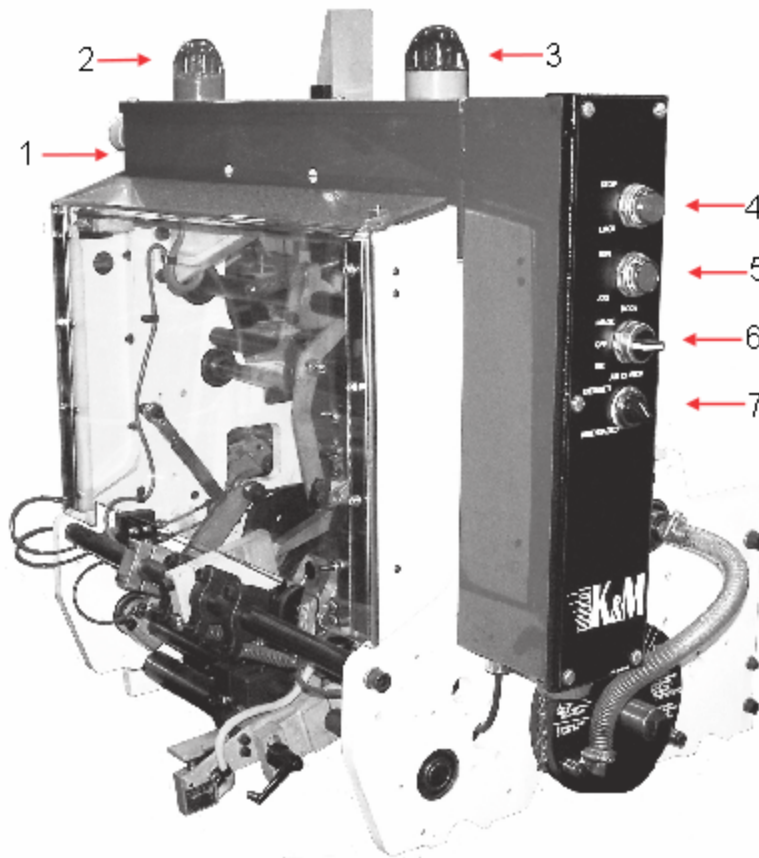
HOPPER GUARD



Sheet 2 of 2

<u>ITEM</u>	<u>PART NUMBER</u>	<u>DESCRIPTION</u>	<u>QUANTITY</u>
1	KMS 9956MS	INHIBIT GUARD	1

HOPPER ELECTRICS



ITEM	PART #	DESCRIPTION	QUANTITY
1	KMS 2400	HOPPER ELECTRICS COMPLETE	1
2	ET 105	AMBER LIGHT ASSY	1
	INCLUDES		
	ET 114	AMBER GLOBE	1
	ET 112	LIGHT BASE	1
3	ET 104	RED LIGHT ASSY	1
	INCLUDES		
	ET 113	RED GLOBE	1
	ET 112	LIGHT BASE	
4	ET 101	STOP LOCK SWITCH	1
5	ET 102	RUN JOG SWITCH	1
6	ET 103	ARS-STD SWITCH	1
	ET 103K	KNOB FOR ET 103	
7	ET 200A	AIR SWITCH ASSY	1
	INCLUDES		
	ET 198	PNEUMADYNE SWITCH	
	ET 199	PNEUMADYNE ADAPTOR	
	ET 200	PNEUMADYNE VALVE	
	NOT	PICTURED	
	ET 130	10W LIGHT BULB	2
	ET 253MS	HOPPER CORD ASSY	1

PHOTO EYES-MICRO SWITCHES

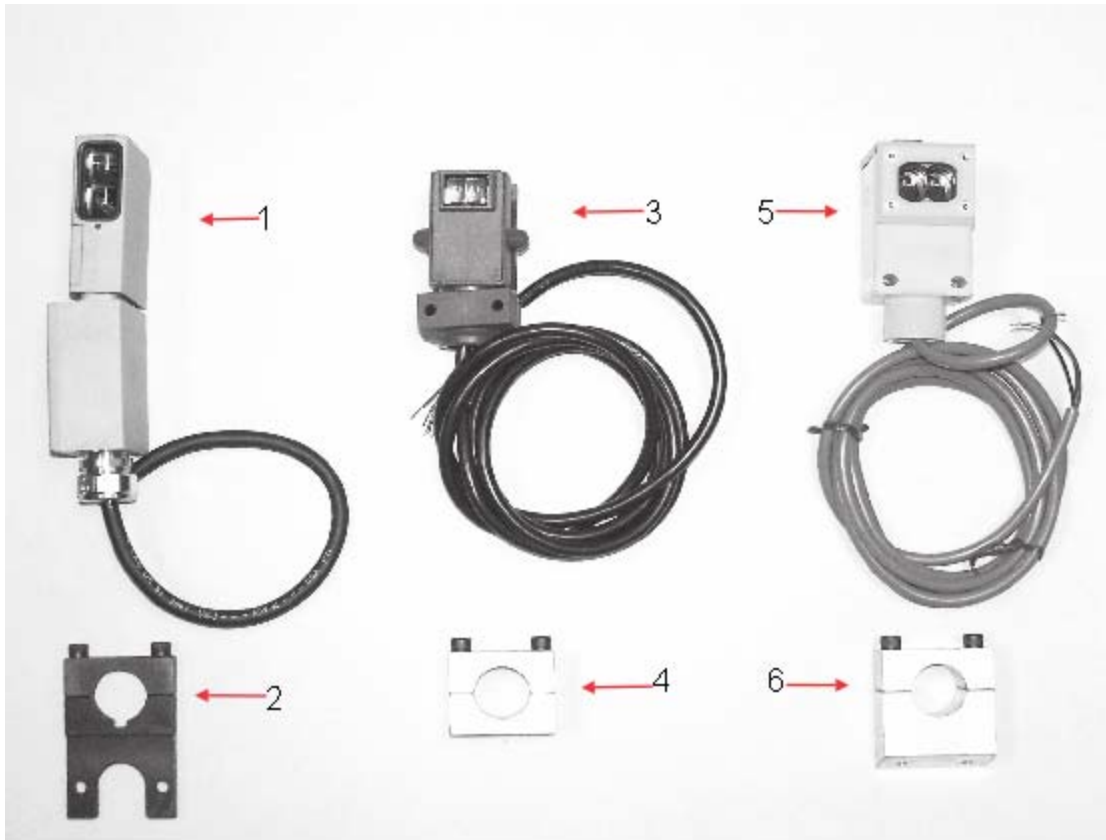
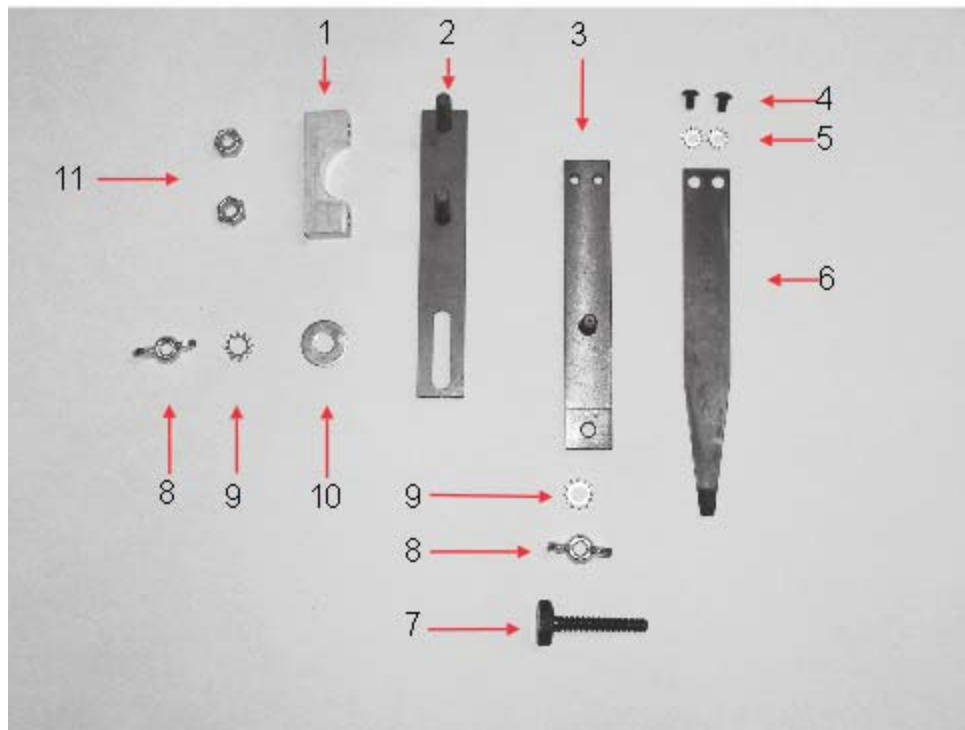


PHOTO EYE-MICRO SWITCHES

ITEM	PART NUMBER	DESCRIPTION	QUANTITY
1	PC 2000	PHOTO MISS DETECTOR ASSY	1
	INCLUDES		
	ET 117	PHOTO SWITCH BASE	1
	ET 118	PHOTO SWITCH REFLEX HEAD	1
	ET 119	PHOTO SWITCH RELAY	1
2		REMANUFACTURED CLAMP	1
3	PC 2000A	PHOTO EYE	1
	INCLUDES		
	ET 163	PHOTOCELL	1
	ET 164	LIGHT/DARK MODULE	1
	ET 165	SOLID STATE RELAY	1
4	PC 2000B	PHOTO EYE BRACKET	1
5	PC 2004	PHOTO EYE	1
6	KMS 1652	PHOTO EYE BRACKET	1
7	OBSOLETE	LIMIT/MICRO SWITCH	1
8	KMS 5008	LIMIT/MICRO SWITCH	1
9	KMS 5008R	LIMIT/MICRO SWITCH	1

STRIPPER ASSEMBLY



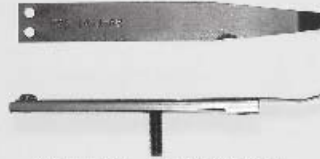
ITEM	PART NUMBER	DESCRIPTION	QUANTITY
	KMS 1062	COMPLETE ASSEMBLY	1
	INCLUDES	EVERYTHING PICTURED	
1	KMS 1092	STRIPPER CLAMP	1
2	KMS 1091	STRIPPER GUIDE	1
3	KMS 1094	STRIPPER BASE	1
4	H-183	BUTTON HD CAPSCREW	2
5	H-262	EXTERNAL LOCKWASHER	2
6	YOUR CHOICE	STRIPPER	1
7	KMS 1093	KNURLED HEAD SCREW	1
8	H-124	WING NUT	2
9	H-261	EXTERNAL LOCKWASHER	2
10	H-150	FLAT WASHER	1
11	H-249	NYLON LOCKNUT	2

STRIPPERS

KMS 1063A



CARD STOCK AND MEDIUM
SECTION INSERTS



LARGER PRODUCTS

KMS 1063RR

KMS 1063DN



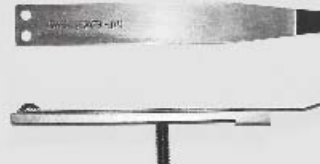
THINNER PRODUCTS AND
INSERTS



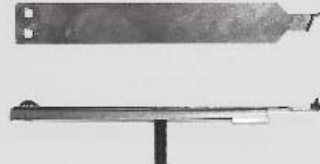
THINNER PRODUCTS

KMS 1063SB

KMS 1063DW



LIGHT SECTION INSERTS



SINGLE SHEET AND THIN
INSERTS

KMS 1063SS

KMS 1063GS



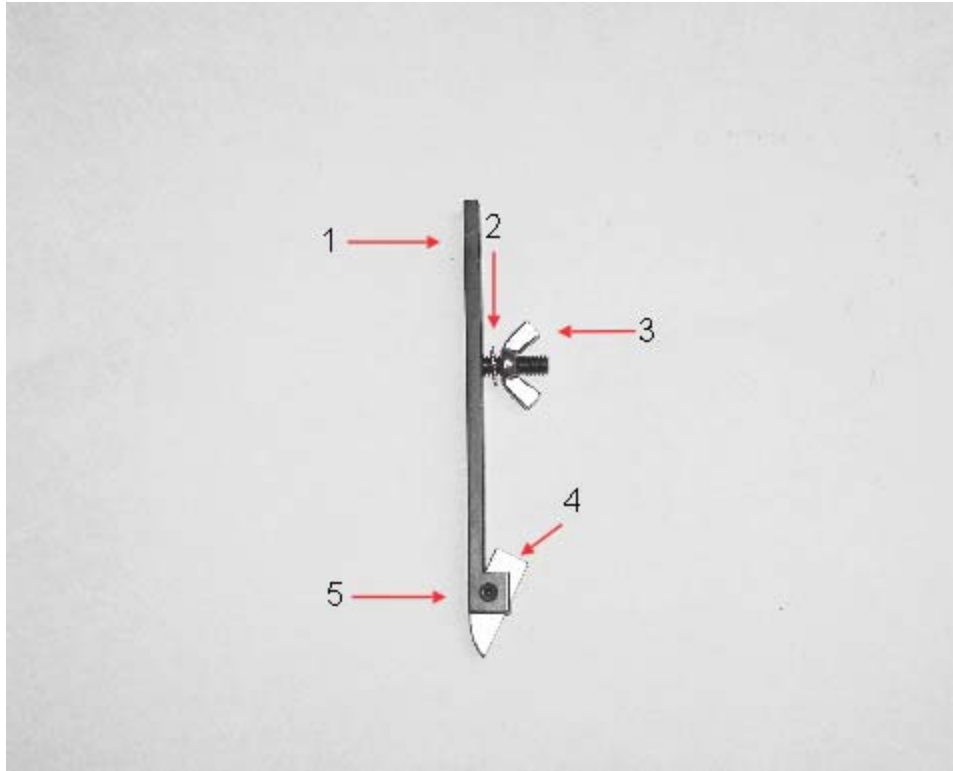
SINGLE SHEET AND THIN
INSERTS



TV GUIDES AND HEAVY
INSERTS

KMS 1063TV

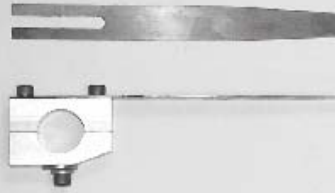
STRIPPERS



ITEM	PART NUMBER	DESCRIPTION	QUANTITY
	KMS 1094SS	COMPLETE ASSEMBLY	1
	INCLUDES	BLADE, BASE & SETSCREW	
1	H-261	EXTERNAL LOCKWASHER	1
2	H-124	WINGNUT	1
3	KMS 1094SSB	BLADE	1
4	H-251	SETSCREW	1

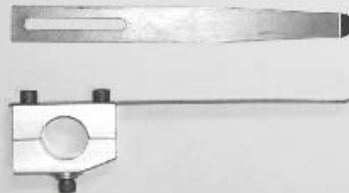
STRIPPERS

FLEXIBLE STRIPPER
ADJUSTABLE



KMS 2035NYT

FLEXIBLE STRIPPER
LARGER SECTION
INSERTS



KMS 2035CS

KMS 2036

FLEXIBLE STRIPPER
LARGER SECTIONS
INSERTS



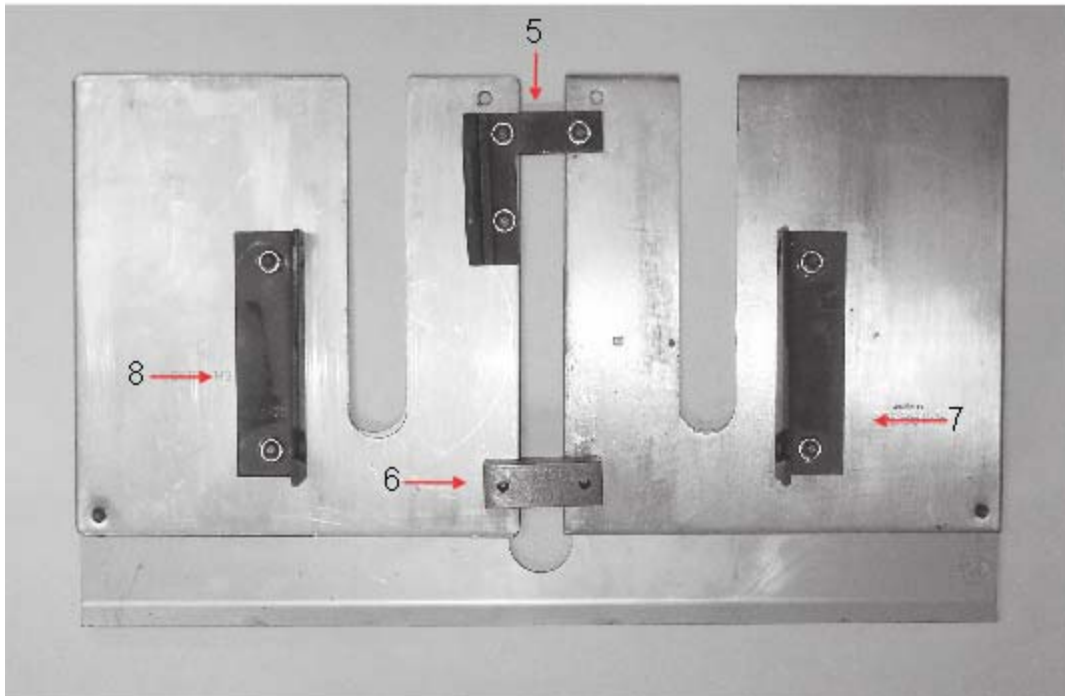
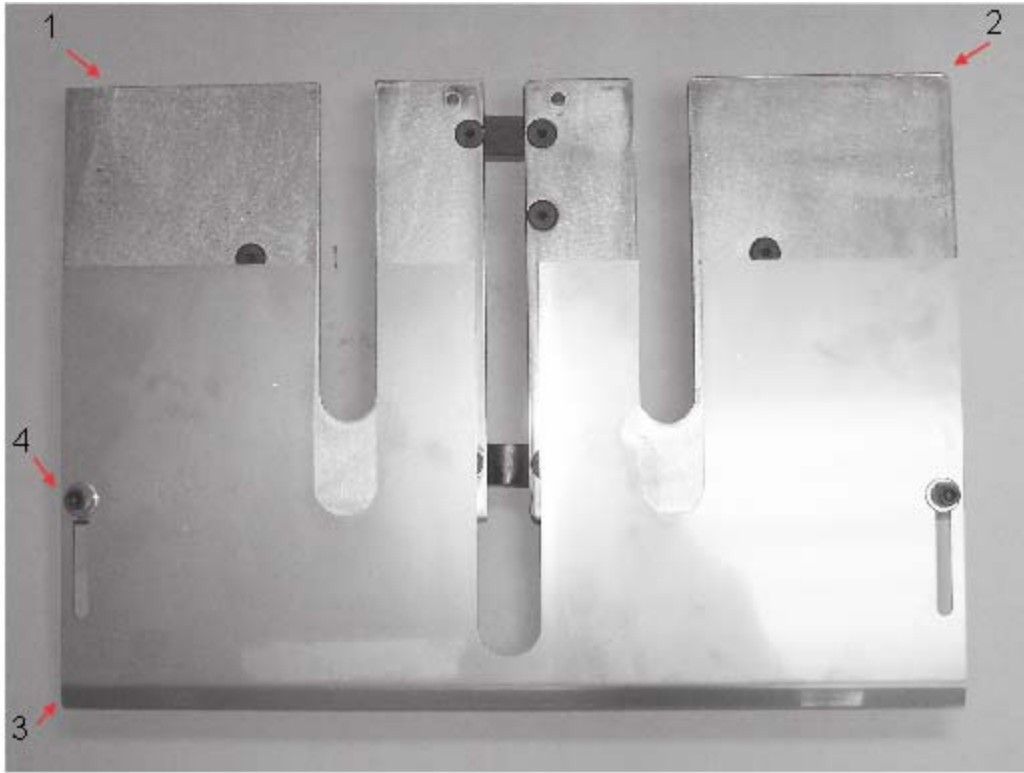
KMS 2035OS

FLEXIBLE STRIPPER
TV GUIDE



KMS 2035TV

PAPER GUIDES

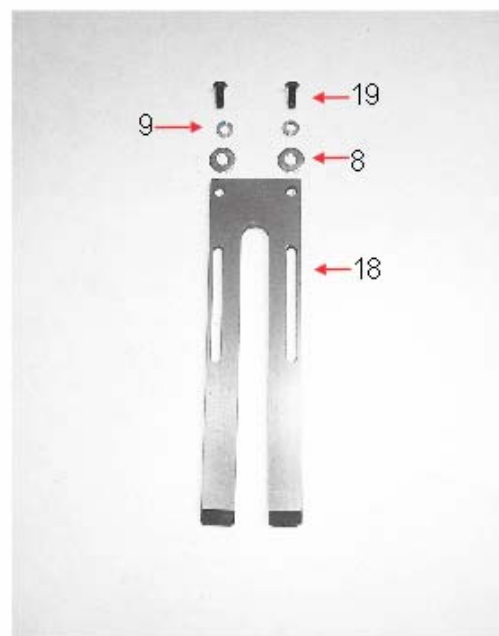
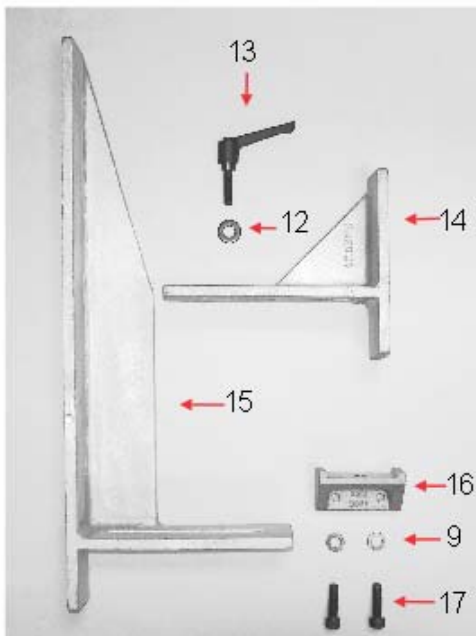
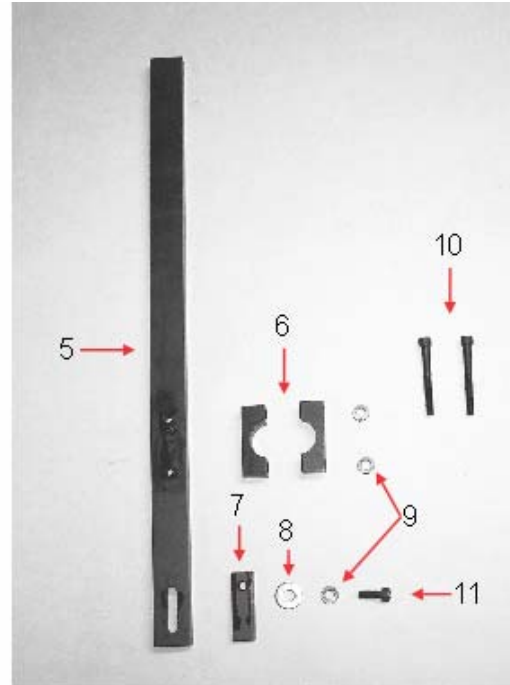
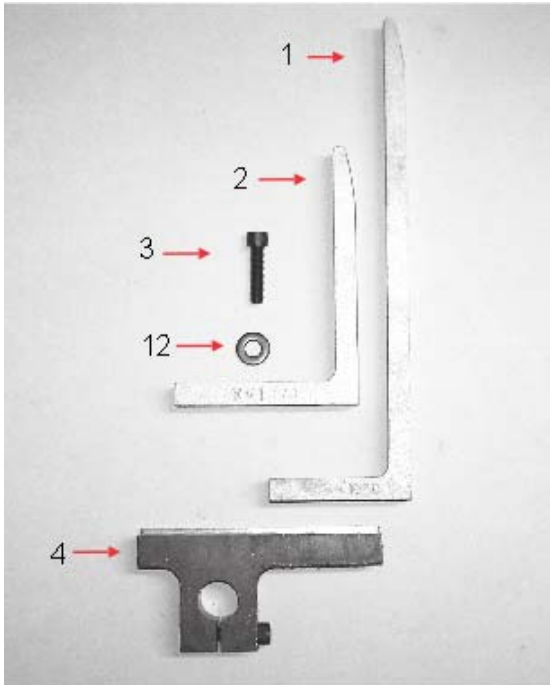


PAPER GUIDES

Sheet 1 of 3

ITEM	PART NUMBER	DESCRIPTION	QUANTITY
1	KMS 0160	RIGHT SUPPORT PLATE	1
2	KMS 0159	LEFT SUPPORT PLATE	1
3	KMS 2013	BELLY PLATE	1
4	MOUNTING		
	H-120	LOCKWASHER	2
	H-150	FLAT WASHER	2
	H-187	SOCKET HD CAPSCREW	2
5	KMS 0163	PAPER SUPPORT PILE BRACKET	1
6	KMS 0158	PAPER SUPPORT TIE BAR	1
7	KMS 0162	RIGHT SUPPORT PLATE BRACKET	1
8	KMS 0161	LEFT SUPPORT PLATE BRACKET	1
	MOUNTING FOR BRACKETS		
	H-148	FLATHEAD SCREW	
	H-203	JAM NUT	

PAPER GUIDES

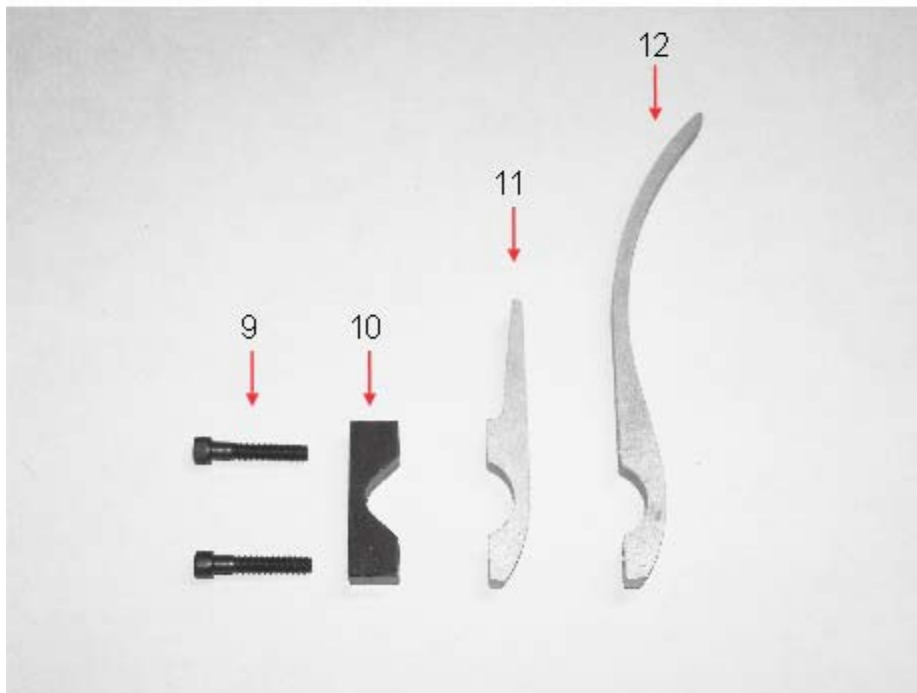
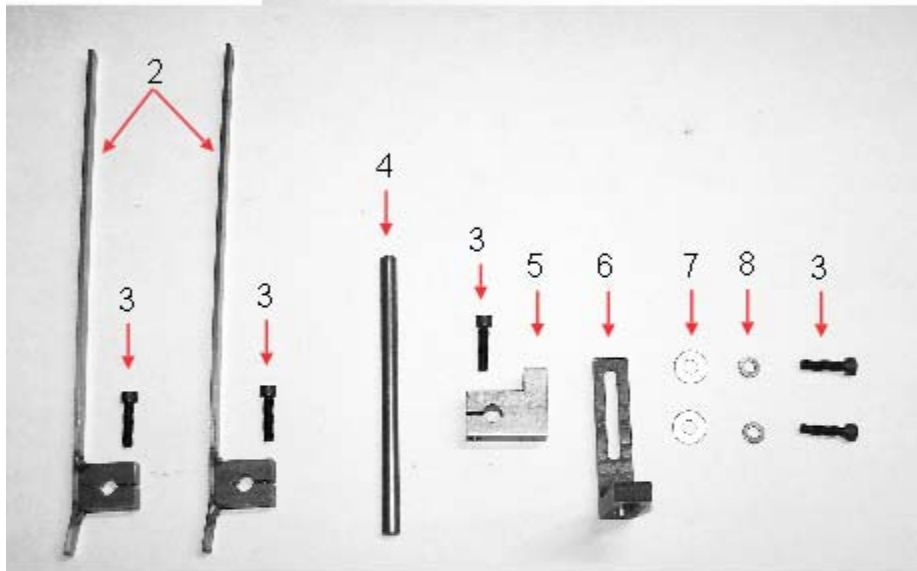


PAPER GUIDES

Sheet 2 of 3

ITEM	PART NUMBER	DESCRIPTION	QUANTITY
1	KMS 1080	BACK GUIDE LONG	1
2	KMS 1079	BACK GUIDE SHORT	1
3	H-114	SOCKET HD CAPSCREW	1
4	KMS 1081	BACK GUIDE SUPPORT	1
5	KMS 2044	FRONT GUIDE	1
	INCLUDES	CLAMP & TAB	
6	KMS 2044C	CLAMP	1
7	KMS 2044T	TAB	1
8	H-150	FLAT WASHER	3
9	H-120	LOCKWASHER	7
10	H-158	SOCKET HD CAPSCREW	2
11	H-001	SOCKET HD CAPSCREW	1
12	KMS 2058	FLAT WASHER	2
13	ET 176	HANDLE	1
14	KMS 2034	FRONT GUIDE (SHORT)	1
15	KMS 2033	REAR GUIDE (TALL)	1
16	KMS 9311	SIDE GUIDE BASE	1
17	H-122	SOCKET HD CAPSCREW	2
18	KMS 2014	SADDLE	1
19	H-259	BUTTON HD CAPSCREW	2

PAPER GUIDES



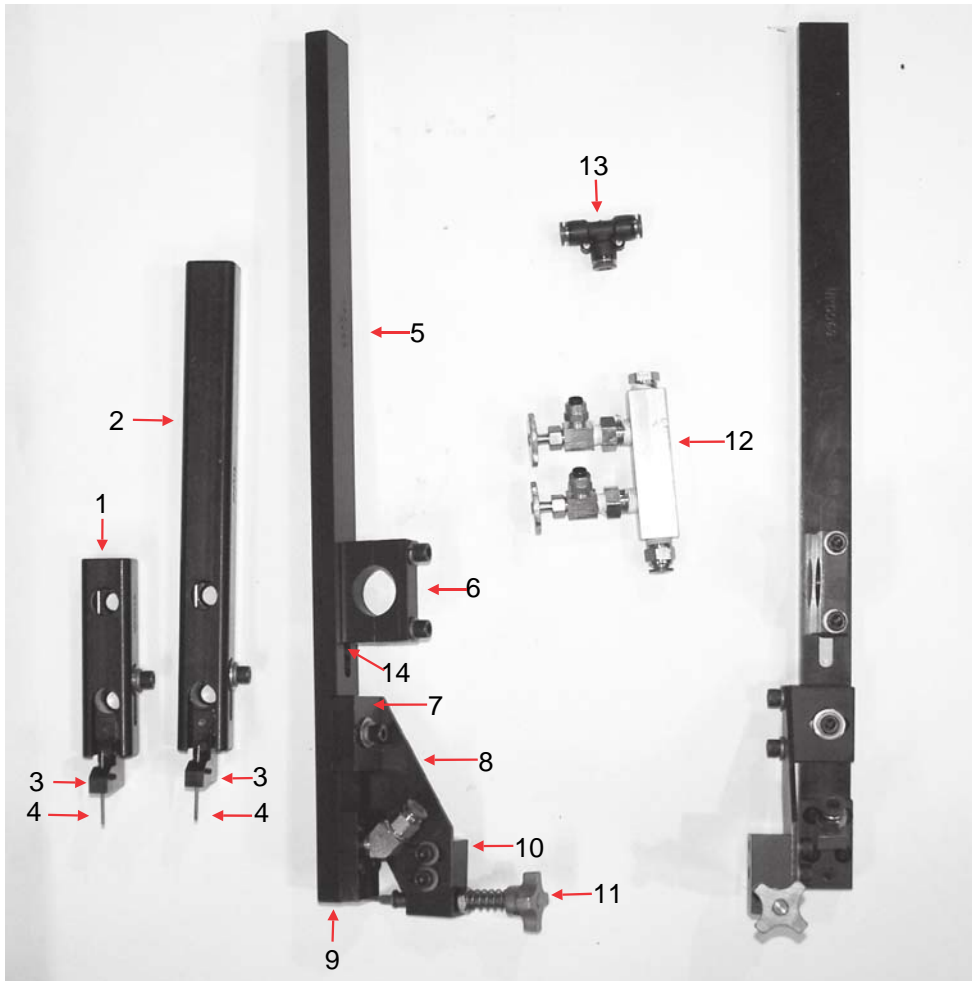
PAPER GUIDES

Sheet 3 of 3

PART

ITEM	NUMBER	DESCRIPTION	QUANTITY
1	KMS 7600	CARD CAN ASSEMBLY INCLUDES ITEMS 2 THRU 8	1
2	KMS 7600G	GUIDE	2
3	H-187	SOCKET HD CAPSCREW	5
4	KMS 7600R	ROD	1
5	KMS 7600B	BRACKET	1
6	KMS 7600L	L BRACKET	1
7	H-150	FLAT WASHER	2
8	H-120	LOCKWASHER	2
9	H-106	SOCKET HD CAPSCREW	4
10	KMS 2119	CLAMPING CAP	2
11	KMS 2118	DROP GUIDE	1
12	KMS 2117	DRUM GUIDE	1

SINGLE SHEET ENHANCEMENT KIT

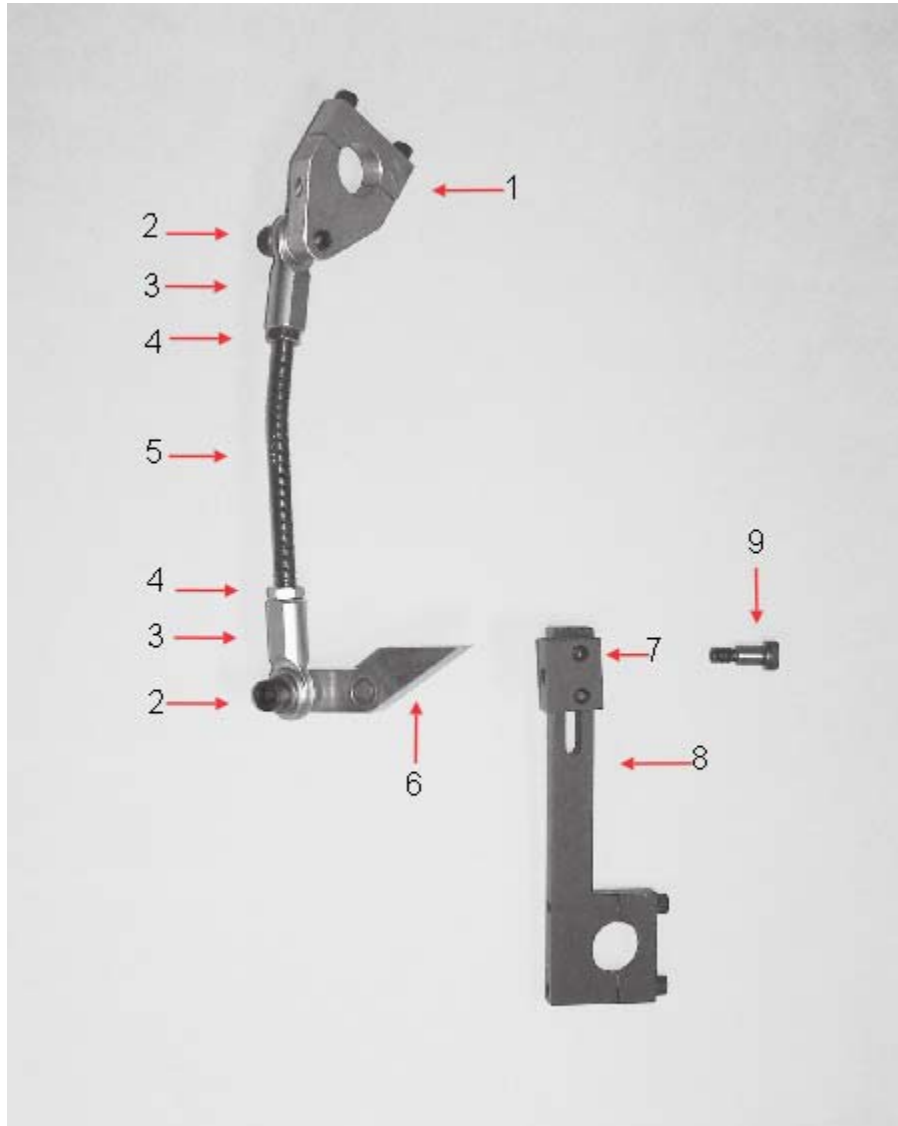


ITEM	PART NUMBER	DESCRIPTION	QUANTITY
	HP0087	SINGLE SHEET ENHANCEMENT KIT	1
1	HP0082	SHORT REAR NEEDLE BAR	1
2	HP0078	LONG REAR NEEDLE BAR	1
3	HP0080	REAR NEEDLE BLOCK ASSY	2
4	KMS 1032	PILE SUPPORT NEEDLE	2
5	HP0069	LIGHT SECTION FRONT GUIDE	2
6	KMS 2044C	CLAMP	2
7	HP0073	ADJUSTMENT BLOCK	2
8	HP0074	NEEDLE BRACKET	2
9	HP0070	LOWER AIR BLOCK	2
10	HP0075	NEEDLE BLOCK	2
11	KMS 2322	THREADED ROD W/HANDLE ASSY	2
12	HP0085	AIR MANIFOLD,AIR BLAST ASSY	1
13	AF 0001	AIR FITTING	1
14	HP0071	NUT BAR	2

ELECTRONIC SINGLE SHEET DOUBLE DETECTION KIT



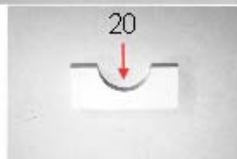
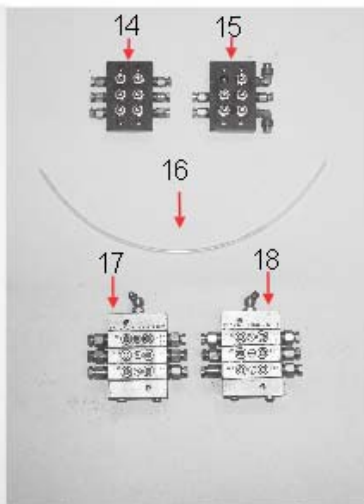
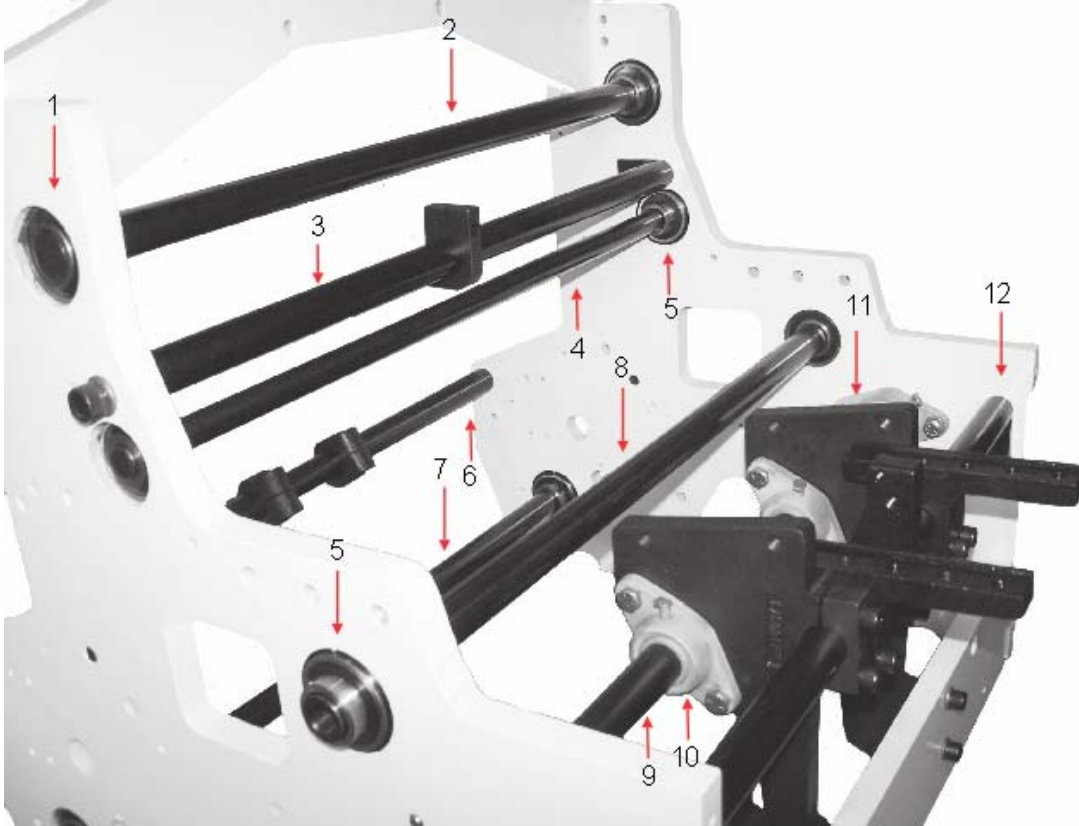
BOWING FINGER ASSEMBLY



BOWING FINGER ASSEMBLY

ITEM	PART NUMBER	DESCRIPTION	QUANTITY
	KMS 2011	LEFT BOWING FINGER	
	KMS 2012	RIGHT BOWING FINGER	
1	KMS 2026	SIDE ACTUATING LEVER ASSY	1
	INCLUDES		
	H-002	SOCKET HD CAPSCREW	2
2	H-122	SOCKET HD CAPSCREW	2
	H-115	LOCKWASHER	2
3	KMS 1047	ROD END BEARING	2
4	H-141	JAM NUT	2
5	KMS 2029	PUSH ROD	1
6	KMS 2030	PUSHER FINGER	1
7	KMS 2031	PIVOT BLOCK	1
	MOUNTS WITH		
	H-187	SOCKET HD CAPSCREW	2
	H-120	LOCKWASHER	2
8	KMS 2032	CLAMP SUPPORT ASSY	1
	INCLUDES		
	H-002	SOCKET HD CAPSCREW	2
9	H-175	SHOULDER BOLT	1

FRAME

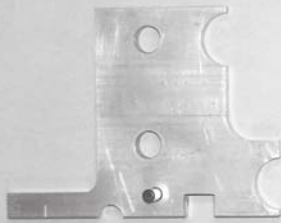


FRAME

ITEM	PART NUMBER	DESCRIPTION	QUANTITY
1	KMS 0058	BEARING	1
2	KMS 2120	LIFT HOOK SHAFT	1
3	KMS 9313	BUMPER SHAFT	1
		MOUNTS WITH H-191 SOCKET HD CAPSCREW	2
4	KMS 9319	NEEDLE SHAFT	1
5	KMS 0059	BEARING	3
6	KMS 2146	TIE SHAFT	1
		MOUNTS WITH H-114 SOCKET HD CAPSCREW	2
7	KMS 9211	SHAFT	1
8	KMS 2027	SUCKER TUBE	1
9		SUCKER SHAFT	1
10		REMANUFACTURED BEARING	4
11		REAR PILE LIFT SHAFT	1
12	KMS 9313	BUMPER CAM SHAFT	1
		MOUNTS WITH H-114 SOCKET HD CAPSCREW	2
13	KMS 2147	SUB FRAME	2
14	KMS 2606N	GREASE BLOCK-LEFT FITTINGS	1
15	KMS 2606N	GREASE BLOCK-RIGHT FITTINGS	1
16	ET 172	GREASE LINE	
17	KMS 2606	GREASE BLOCK-LEFT FITTINGS	1
18	KMS 2606	GREASE BLOCK-RIGHT FITTINGS	1
19	SC-001	CHANGE GEAR SUPPORT CLAMPS	1
20	KMS 0088	HOPPER CLAMP	2

HOPPER TOOLS

KMS 0845



SET UP GAUGE

KMS 0739



TIMING GAUGE

KMS 1823



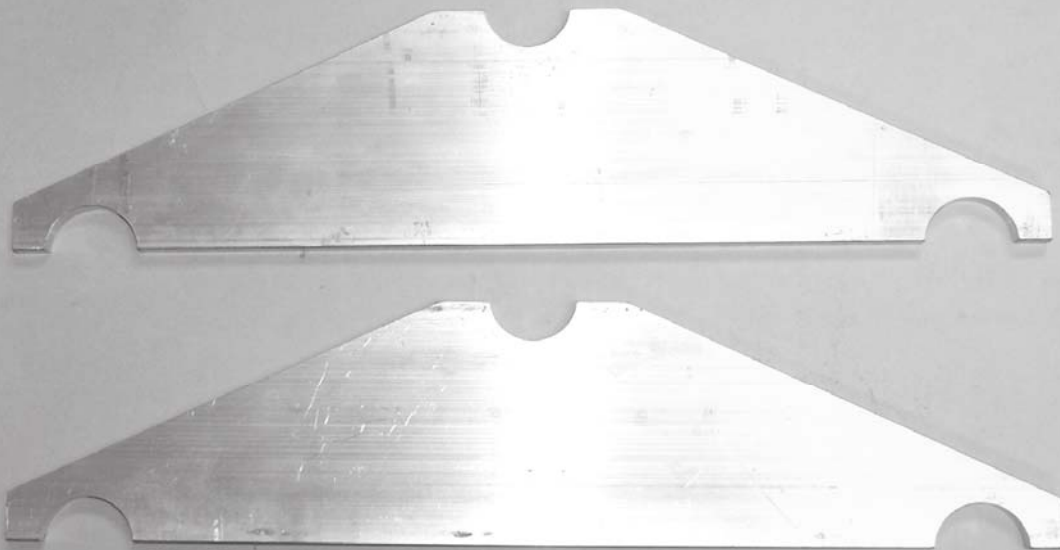
BEARING
REMOVAL
TOOL

KMS 1806



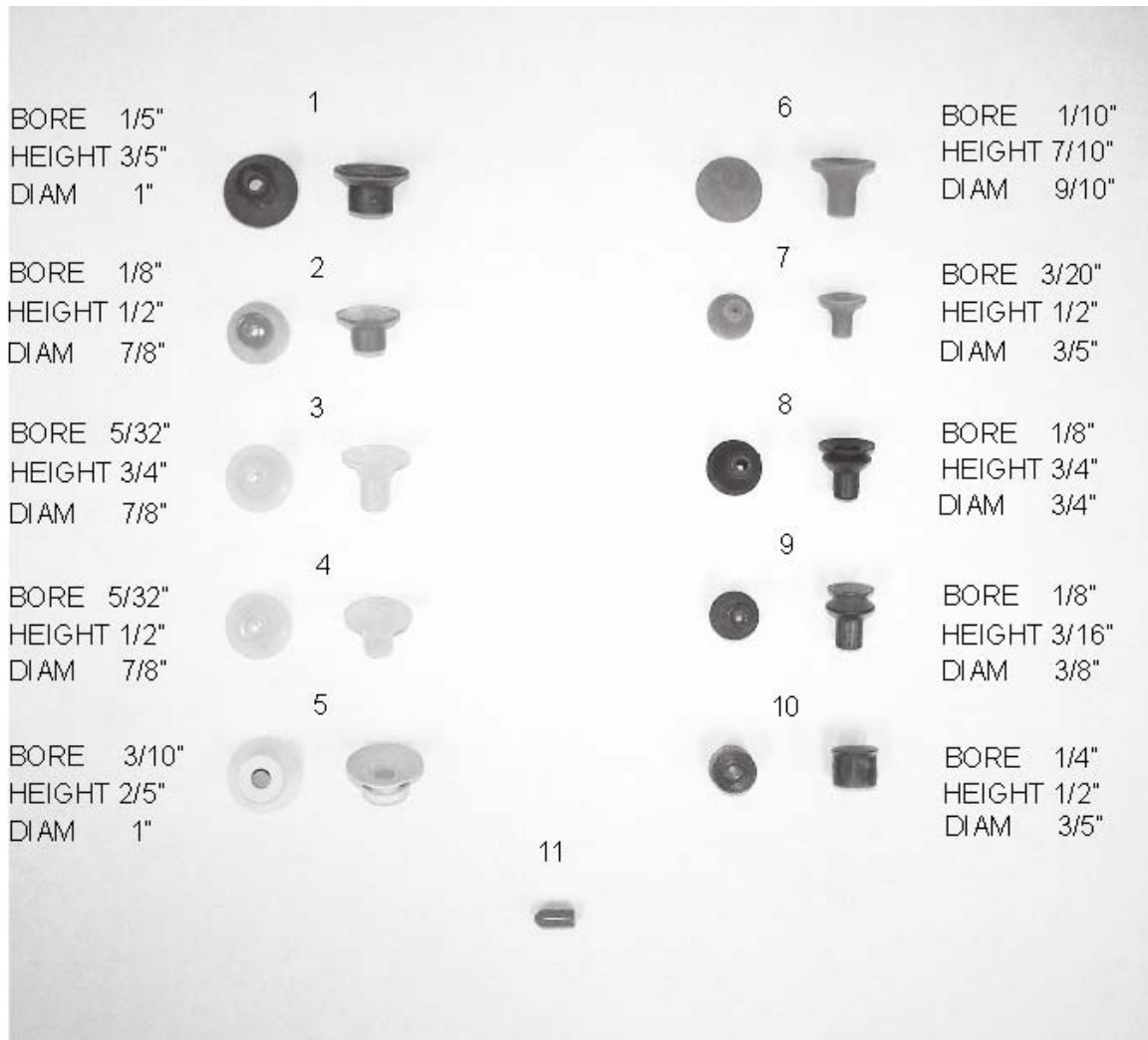
SPRING
COMPRESSION
TOOL

KMS 1939



HOPPER SHAFT SET UP FIXTURE

SUCKERS & CAPS



ITEM	PART NUMBER	DESCRIPTION
1	KMS 138	BLUE SUCKER
2	KMS 36B	GREEN SUCKER
3	KMS 50Y	YELLOW SUCKER
4	KMS 56Y	YELLOW SUCKER
5	KMS 0310	BEIGE SUCKER
6	S502-1	LARGE SUCKER
7	S506-1	SMALL SUCKER
8	KMS BL15	BLACK SINGLE SHEET SUCKER
9	KMS B15	BLUE SINGLE SHEET SUCKER
10	KMS 5252	MOVABLE POCKETWALL SUCKER
11	RED CAPS	
	RC 172	1/2" LONG .172 DIAMETER
	RC 250	5/8" LONG .250 DIAMETER



1372 PARTS BOOK