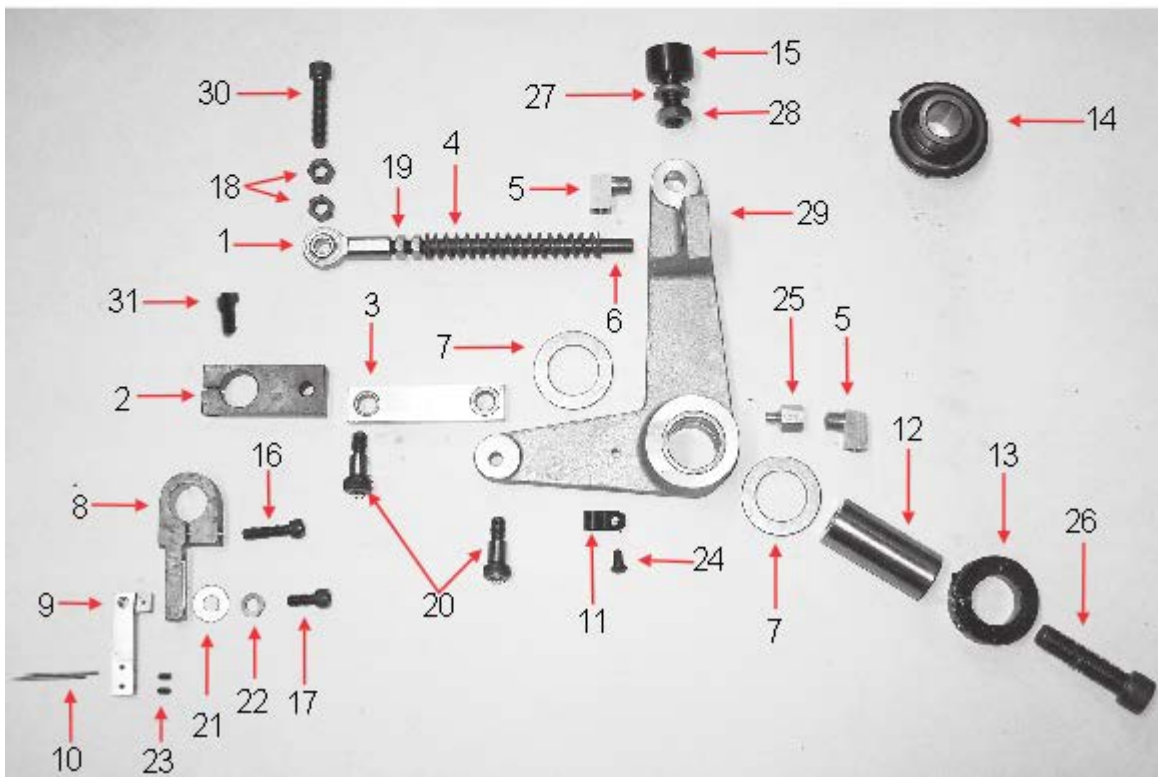
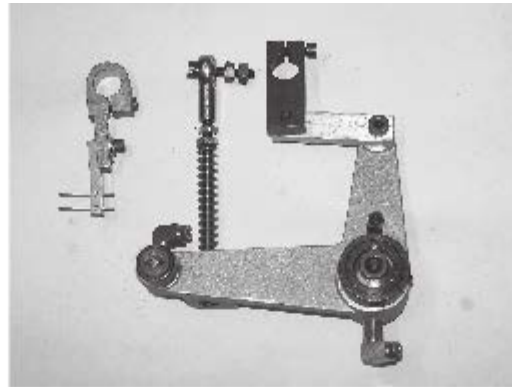




# SLS1000

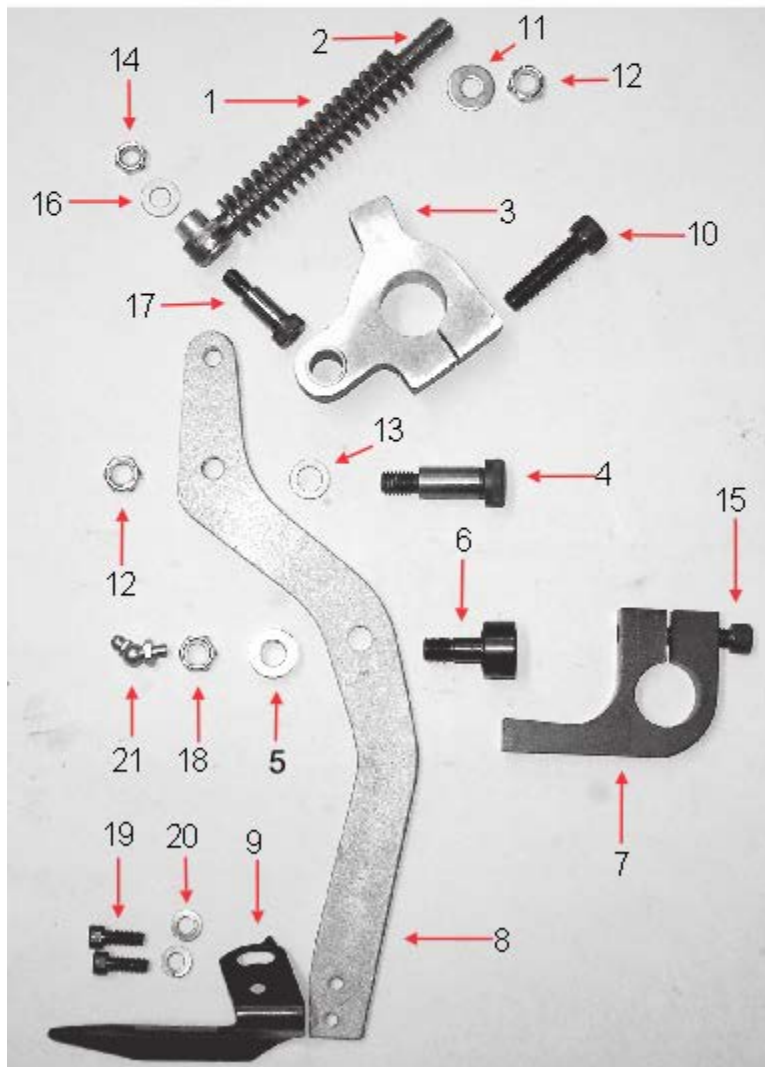
# NEEDLE ASSEMBLY



## NEEDLE ASSEMBLY

| ITEM | PART NUMBER | DESCRIPTION          | QUANTITY |
|------|-------------|----------------------|----------|
| 1    | KMS 5020    | ROD END              | 1        |
| 2    | KMS 2093    | NEEDLE BAR ARM       | 1        |
| 3    | KMS 2045    | NEEDLE BAR LINK      | 1        |
| 4    | KMS 5024R   | SPRING               | 1        |
| 5    | KMS 0041    | ELBOW FITTING        | 2        |
| 6    | KMS 5023*   | SPRING ROD 5 ½"      | 1        |
| 7    | KMS 2127    | THRUST WASHER        | 2        |
| 8    | KMS 2079    | NEEDLE SUPPORT       | 1        |
| 9    | KMS 1031    | NEEDLE CARRIER       | 1        |
| 10   | KMS 1032    | PILE SUPPORT NEEDLE  | 2        |
| 11   | KMS 0086    | NYLON LOOP STRAP     | 1        |
| 12   | KMS 1075    | STUB SHAFT           | 1        |
| 13   | KMS 5028    | COLLAR               | 1        |
| 14   | KMS 0058    | NEEDLE SHAFT BEARING | 2        |
| 15   | KMS 1015    | 1" CAM FOLLOWER      | 1        |
| 16   | H-187       | SOCKET HD CAPSCREW   | 1        |
| 17   | H-190       | SOCKET HD CAPSCREW   | 1        |
| 18   | H-169       | HEX JAM NUT          | 2        |
| 19   | H-126       | JAM NUT              | 2        |
| 20   | H-175       | SHOULDER BOLT        | 2        |
| 21   | H-150       | FLAT WASHER          | 1        |
| 22   | H-120       | LOCK WASHER          | 1        |
| 23   | H-242       | SET SCREW            | 2        |
| 24   | H-241       | BUTTON HD CAPSCREW   | 1        |
| 25   | ET 185      | ADAPTOR              | 1        |
| 26   | H-123       | SOCKET HD CAPSCREW   | 1        |
| 27   | H-153       | LOCK WASHER          | 1        |
| 28   | H-152       | JAM NUT              | 1        |
| 29   | KMS 2102    | NEEDLE CAM LEVER     | 1        |
| 30   | H-167       | SOCKET HD CAPSCREW   | 1        |
| 31   | H-250       | SOCKET HD CAPSCREW   | 1        |
|      | * KMS 5023S | SPRING ROD-4 ½"      |          |

# LIFT HOOK ASSEMBLY

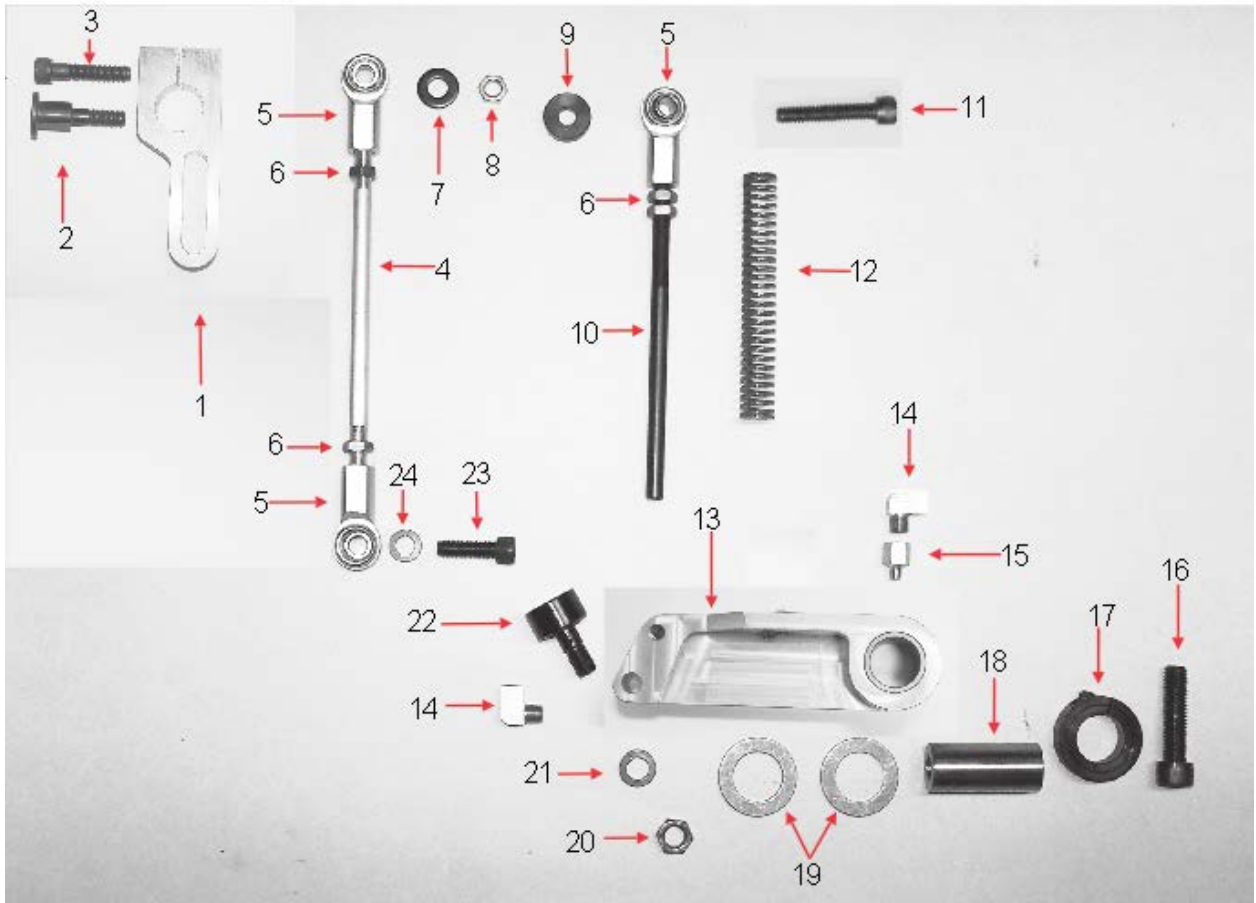


**LIFT HOOK ASSEMBLY**

Sheet 1 of 2

| <b>ITEM</b> | <b>PART NUMBER</b> | <b>DESCRIPTION</b>       | <b>QUANTITY</b> |
|-------------|--------------------|--------------------------|-----------------|
| 1           | KMS 2038           | HELICAL SPRING           | 1               |
| 2           | KMS 1056           | ROD END                  | 1               |
| 3           | KMS 1050           | LIFT HOOK LEVER ASSEMBLY | 1               |
| 4           | KMS 2039           | SHOULDER BOLT            | 1               |
| 5           | KMS 2121           | COLLAR                   | 1               |
| 6           | KMS 1077           | CAM FOLLOWER 7/8"        | 1               |
| 7           | KMS 0150           | LIFT HOOK BUMPER CAM     | 1               |
| 8           | KMS 1022           | LIFT HOOK LEG            | 1               |
| 9           | KMS 2037           | LIFT HOOK FOOT           | 1               |
| 10          | H-114              | SOCKET HD CAPSCREW       | 1               |
| 11          | H-127              | FLAT WASHER              | 1               |
| 12          | H-170              | NYLON JAM NUT            | 1               |
| 13          | H-245              | THRUST WASHER            | 1               |
| 14          | H-163              | NYLON JAM NUT            | 1               |
| 15          | H-166              | SOCKET HD CAPSCREW       | 1               |
| 16          | H-239              | THRUST WASHER            | 1               |
| 17          | H-244              | SHOULDER BOLT            | 1               |
| 18          | H-172              | NYLON JAM NUT            | 1               |
| 19          | H-001              | SOCKET HD CAPSCREW       | 2               |
| 20          | H-120              | LOCK WASHER              | 2               |
| 21          | H-178              | 45° GREASE FITTING       | 1               |

# LIFT HOOK ASSEMBLY

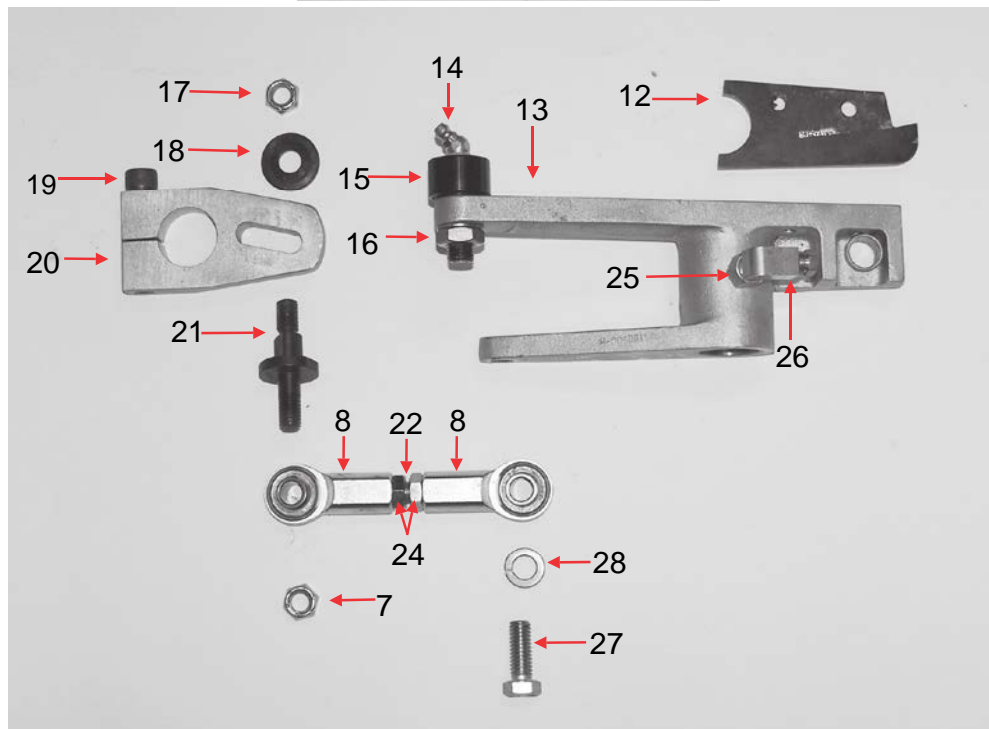
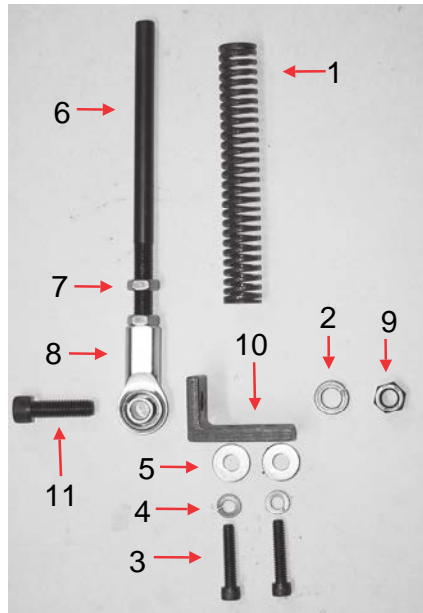


**LIFT HOOK ASSEMBLY**

Sheet 2 of 2

| <b>ITEM</b> | <b>PART NUMBER</b> | <b>DESCRIPTION</b>     | <b>QUANTITY</b> |
|-------------|--------------------|------------------------|-----------------|
| 1           | KMS 9119           | OPERATING LEVER        | 1               |
| 2           | KMS 9120           | OPERATING LEVER STUD   | 1               |
| 3           | H-139              | SOCKET HD CAPSCREW     | 1               |
| 4           | KMS 1048S          | TIE ROD-SHORT          | 1               |
| 5           | KMS 1047           | ROD END                | 3               |
| 6           | H-141              | JAM NUT                | 4               |
| 7           | KMS 2058           | FLAT WASHER            | 1               |
| 8           | H-246              | NYLON LOCK NUT         | 1               |
| 9           | KMS 5002           | SPACER                 | 1               |
| 10          | KMS 1057           | SPRING GUIDE           | 1               |
| 11          | H-139              | SOCKET HD CAPSCREW     | 1               |
| 12          | KMS 1017           | HELICAL SPRING (GREEN) | 1               |
| 13          | KMS 3613           | LIFT HOOK CAM LEVER    | 1               |
| 14          | KMS 0041           | 90° GREASE FITTING     | 2               |
| 15          | ET 185             | ADAPTER                | 1               |
| 16          | H-123              | SOCKET HD CAPSCREW     | 1               |
| 17          | KMS 5028           | LOCKING COLLAR         | 1               |
| 18          | KMS 1075           | STUB SHAFT             | 1               |
| 19          | KMS 2127           | THRUST WASHER          | 2               |
| 20          | H-152              | JAM NUT                | 1               |
| 21          | H-153              | LOCKWASHER             | 1               |
| 22          | KMS 1076           | CAM FOLLOWER 1 1/8"    | 1               |
| 23          | H-122              | SOCKET HD CAPSCREW     | 1               |
| 24          | H-115              | LOCKWASHER             | 1               |

# SUCKER SYSTEM





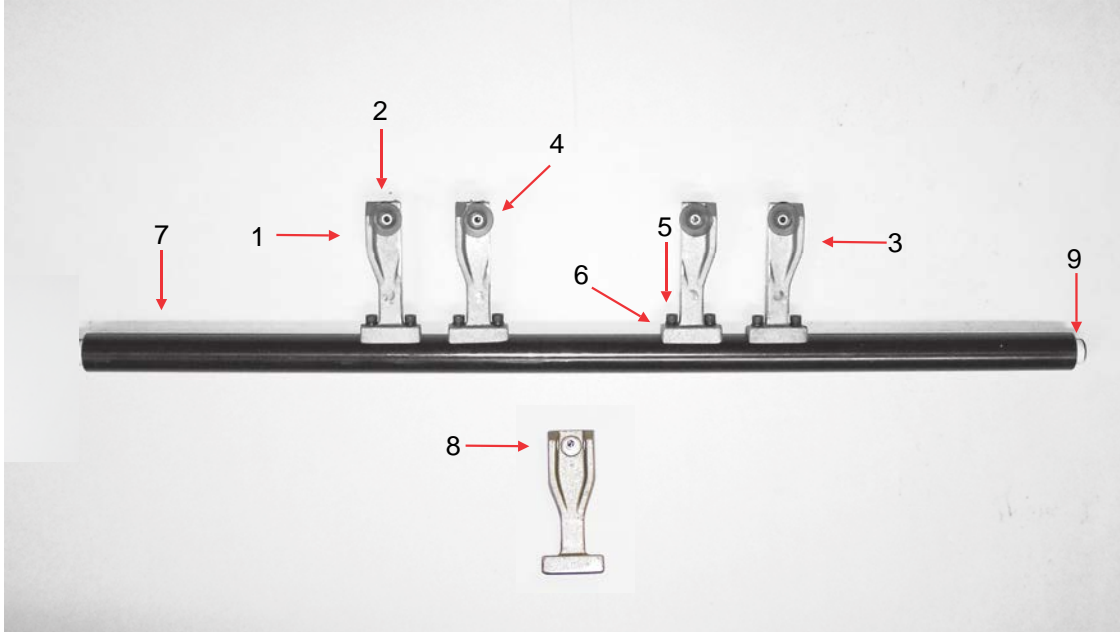
**SUCKER SYSTEM**

Sheet 1 of 2

**PART**

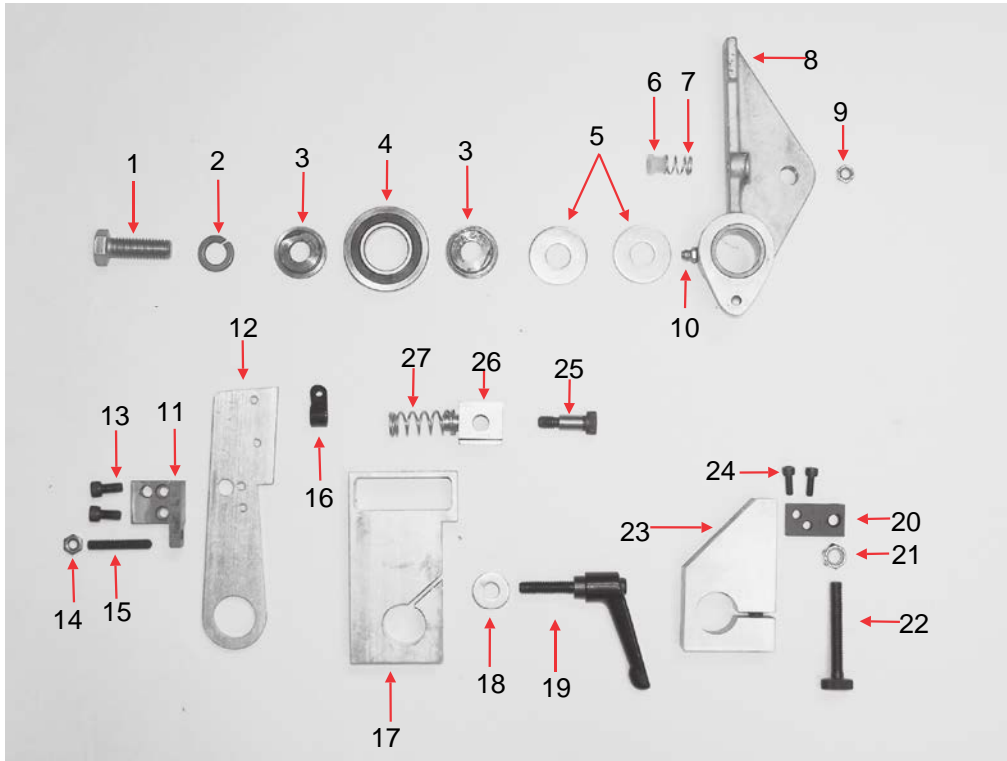
| <b>ITEM</b> | <b>NUMBER</b> | <b>DESCRIPTION</b>      | <b>QUANTITY</b> |
|-------------|---------------|-------------------------|-----------------|
| 1           | KMS 1017B     | HELICAL SPRING (BLUE)   | 1               |
| 2           | H-115         | LOCK WASHER             | 1               |
| 3           | H-113         | SOCKET HD CAPSCREW      | 2               |
| 4           | H-120         | LOCK WASHER             | 3               |
| 5           | H-150         | FLAT WASHER             | 2               |
| 6           | KMS 1057S     | SPRING GUIDE SHORT      | 1               |
| 7           | H-141         | JAM NUT                 | 2               |
| 8           | KMS 1047      | ROD END                 | 3               |
| 9           | H-147         | HEX NUT                 | 1               |
| 10          | KMS 2435      | SPRING MOUNTING BRACKET | 1               |
| 11          | H-122         | SOCKET HD CAPSCREW      | 1               |
| 12          | KMS 9216      | SUCKER SWING LATCH      | 1               |
| 13          | KMS 9215      | SUCKER SWING LEVER      | 1               |
| 14          | H-178         | 45° GREASE FITTING      | 1               |
| 15          | KMS 1015      | CAM FOLLOWER 1"         | 1               |
| 16          | H-152         | JAM NUT                 | 1               |
| 17          | H-189         | NYLON LOCKNUT           | 2               |
| 18          | KMS 2058      | FLAT WASHER             | 1               |
| 19          | H-114         | SOCKET HD CAPSCREW      | 1               |
| 20          | KMS 7323      | SUCKER OPER. LEVER      |                 |
| 21          | KMS 2115      | SUCKER ADJUSTING STUD   | 1               |
| 22          | H-142         | THREADED ROD            | 1               |
| 24          | H-141         | JAM NUT                 | 1               |
| 25          | ET 185        | ADAPTER                 | 1               |
| 26          | KMS 0041      | ELBOW FITTING           | 1               |
| 27          | H-232         | HEX HEAD                | 1               |
| 26          | H-146         | LOCKWASHER              | 2               |
| 27          | H-114         | SOCKET HD CAPSCREW      | 1               |
| 28          | H-232         | HEX HEAD BOLT           | 1               |

## SUCKER SYSTEM



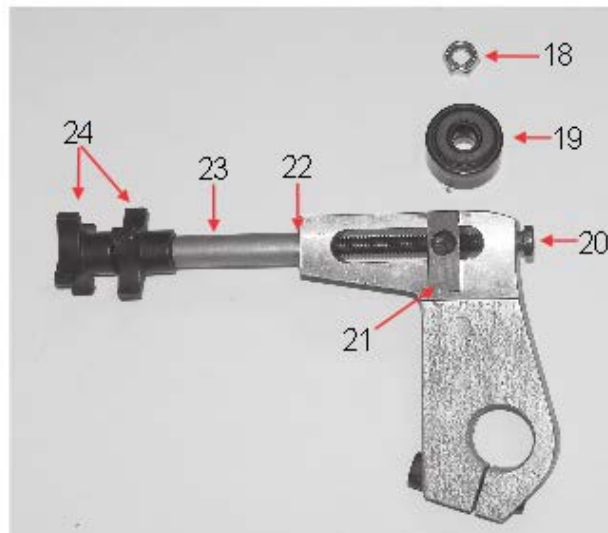
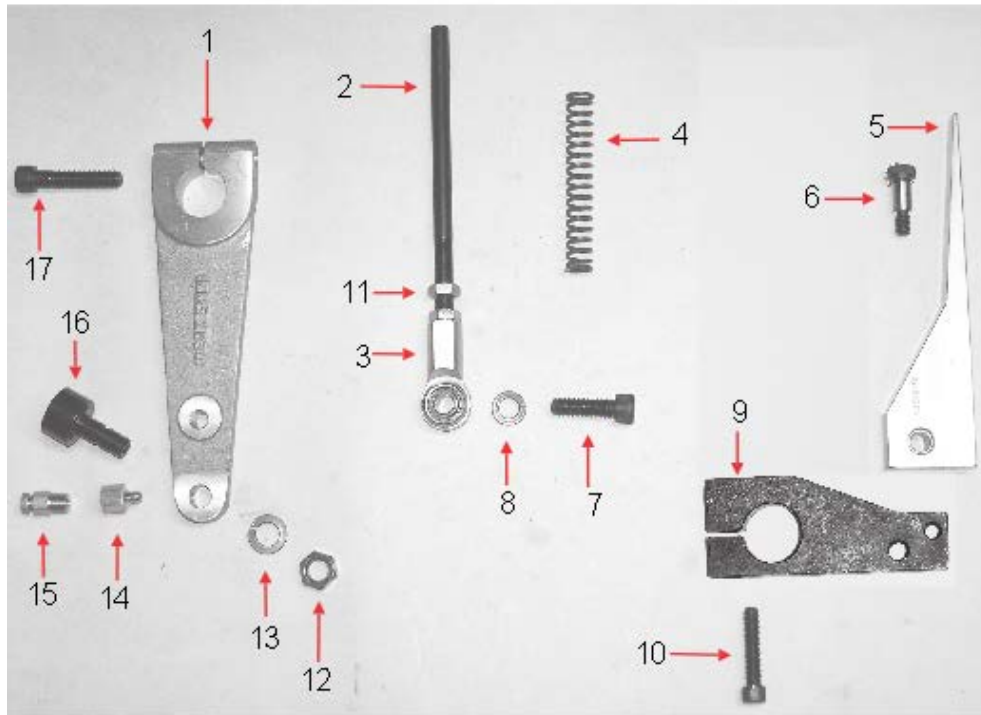
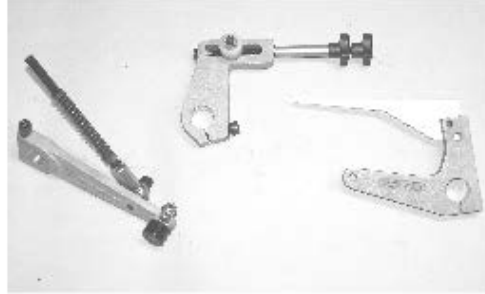
| ITEM | PART NUMBER | DESCRIPTION             | QUANTITY |
|------|-------------|-------------------------|----------|
| 1    | KMS 2003    | SUCKER STEM (LEFTHAND)  | 2        |
| 2    | H-243       | SET SCREW               | 4        |
| 3    | KMS 2002    | SUCKER STEM (RIGHTHAND) | 2        |
| 4    | KMS 36B     | GREEN SUCKER            | 4        |
| 5    | H-207       | SOCKET HD CAPSCREW      | 8        |
| 6    | H-136       | LOCKWASHER              | 8        |
| 7    | KMS 7324    | SUCKER TUBE             | 1        |
| 8    | KMS 1024    | SUCKER STEM (FULL)      | 1        |
| 9    | H-134       | NPT PIPE PLUG           | 1        |

## DOUBLE DETECTOR ASSEMBLY



| ITEM | PART #     | DESCRIPTION                   | QUANTITY |
|------|------------|-------------------------------|----------|
| 1    | H-296      | HEX HEAD                      | 1        |
| 2    | H-112      | LOCKWASHER                    | 1        |
| 3    | KMS 9139   | BEARING PLUG                  | 2        |
| 4    | KMS 5016   | BEARING                       | 1        |
| 5    | H-150      | FLAT WASHER                   | 2        |
| 6    | KMS 9149PB | PLASTIC BUSHING               | 1        |
| 7    | KMS 9149S  | COMPRESSION SPRING            | 1        |
| 8    | KMS 9149   | CALIPER LEVER                 | 1        |
| 9    | H-203      | NYLON JAM NUT                 | 1        |
| 10   | G 101      | LUBRICATION FITTING           | 1        |
| 11   | KMS 9148   | STOP BLOCK                    | 1        |
| 12   | KMS 9146   | CALIPER SWITCH MOUNT          | 1        |
| 13   | H-207      | SOCKET HD CAPSCREW            | 2        |
| 14   | H-220      | JAM NUT                       | 1        |
| 15   | H-304      | SET SCREW                     | 1        |
| 16   | KMS 0087   | NYLON LOOP STRAP              | 1        |
| 17   | KMS 9145   | SPRING BLOCK                  | 1        |
| 18   | H-127      | WASHER                        | 1        |
| 19   | KMS 5001   | CARRIER ADJ. HANDLE           | 1        |
| 20   | KMS 9141   | LOCK ADJ. PLATE               | 1        |
| 21   | H-278      | LOCK NUT                      | 1        |
| 22   | KMS 5006   | THUMB SCREW                   | 1        |
| 23   | KMS 9140   | DOUBLE DETECT ADJ. BLOCK ASSY | 1        |
| 24   | H-149      | SOCKET HD CAPSCREW            | 2        |
| 25   | H-198      | SHOULDER BOLT                 | 1        |
| 26   | KMS 9143   | SPRING GUIDE BLOCK            | 1        |
| 27   | KMS 9144   | COMPRESSION SPRING            | 1        |

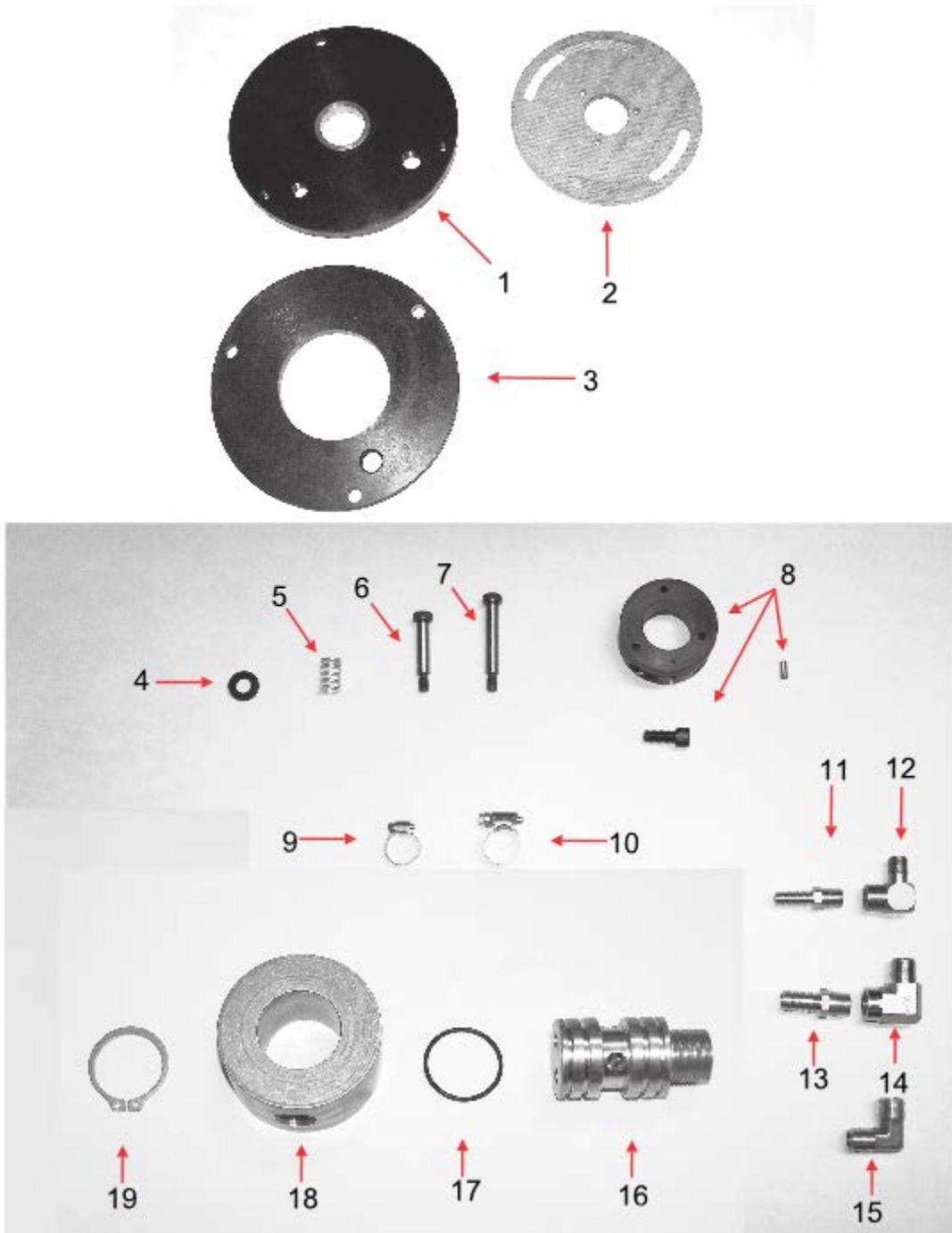
# REAR PILE LIFT ASSEMBLY



## REAR PILE LIFT ASSEMBLY

| ITEM | PART NUMBER | DESCRIPTION               | QUANTITY |
|------|-------------|---------------------------|----------|
| 1    | KMS 1034    | CAM LEVER                 | 1        |
| 2    | KMS 1057    | SPRING ROD                | 1        |
| 3    | KMS 1047    | ROD END                   | 1        |
| 4    | KMS 5024R   | SPRING                    | 1        |
| 5    | KMS 1025    | LIFTER BAR                | 1        |
| 6    | H-188       | SHOULDER BOLT             | 1        |
| 7    | H-122       | SOCKET HD CAPSCREW        | 1        |
| 8    | H-115       | LOCK WASHER               | 1        |
| 9    | KMS 9312    | REAR PILE SUPPORT         | 1        |
| 10   | H-167       | SOCKET HD CAPSCREW        | 1        |
| 11   | H-141       | JAM NUT                   | 2        |
| 12   | H-152       | JAM NUT                   | 1        |
| 13   | H-153       | LOCKWASHER                | 1        |
| 14   | ET 185      | ADAPTOR                   | 1        |
| 15   | KMS 0040    | STRAIGHT GREASE FITTING   | 1        |
| 16   | KMS 1015    | CAM FOLLOWER 1"           | 1        |
| 17   | H-139       | SOCKET HD CAPSCREW        | 1        |
| 18   | H-189       | NYLON LOCK NUT            | 1        |
| 19   | KMS 9226    | CAMROL BEARING            | 1        |
| 20   | KMS 9227    | REAR PILE LEVER ADJ. STUD | 1        |
| 21   | KMS 9223    | ROLLER STUD               | 1        |
| 22   | KMS 9224    | REAR PILE ADJUST LEVER    | 1        |
| 23   | KMS 9221    | REAR PILE ADJUST SPACER   | 1        |
| 24   | KMS 1069    | KNOB                      | 2        |
|      | USES H-195  | ROLL PIN                  | 1        |

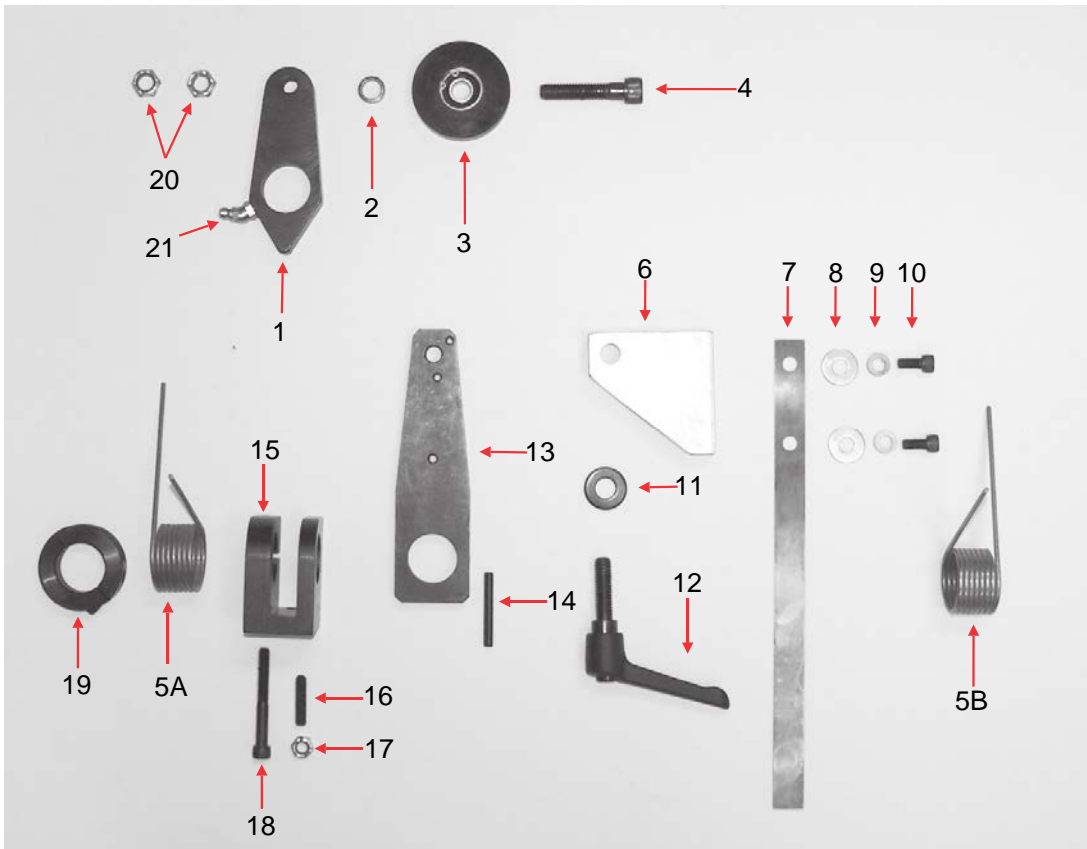
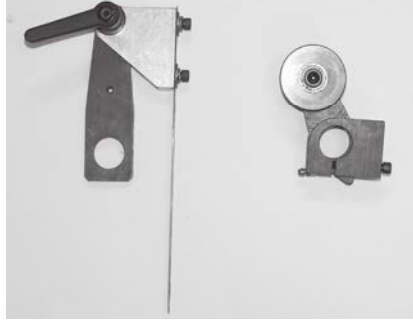
### VACUUM VALVE ASSEMBLY



**VACUUM VALVE ASSEMBLY**

| <b>ITEM</b> | <b>PART NUMBER</b> | <b>DESCRIPTION</b>         | <b>QUANTITY</b> |
|-------------|--------------------|----------------------------|-----------------|
| 1           | KMS 2022           | VALVE BASE PLATE           | 1               |
|             | INCLUDES           |                            |                 |
|             | KMS 2023           | BUSHING                    | 1               |
| 2           | KMS 2040           | VACUUM DISC (FABRIC)       | 1               |
|             | ALSO AVAILABLE     |                            |                 |
|             | KMS 2040P          | VACUUM DISC (PLASTIC)      |                 |
| 3           | KMS 2021           | VALVE SPRING LOAD PLATE    | 1               |
| 4           | KMS 2058           | FLAT WASHER                | 3               |
| 5           | KMS 2059           | HELICAL SPRING             | 3               |
| 6           | KMS 1029           | SHOULDER BOLT              | 2               |
| 7           | H-176              | SHOULDER BOLT              | 1               |
| 8           | KMS 1088           | VALVE DRIVE CLAMP ASSEMBLY | 1               |
|             | INCLUDES           |                            |                 |
|             | H-145              | SOCKET HD CAPSCREW         | 1               |
|             | H-180              | STEEL DOWEL PIN            | 3               |
| 9           | KMS 0061           | HOSE CLAMP                 | 4               |
| 10          | KMS 0028           | HOSE CLAMP                 | 2               |
| 11          | VF-2104            | 3/8 BARB FITTING           | 1               |
| 12          | VF-2100            | 1/4 ELL FITTING            | 1               |
| 13          | VF-2102            | 1/2 BARB FITTING           | 1               |
| 14          | VF-2101            | 3/8 ELBOW FITTING          | 1               |
| 15          | VF-2103            | 5/8 BARB FITTING           | 1               |
| 16          | KMS 9101           | ROTARY UNION ROTOR         | 1               |
| 17          | KMS 9104           | O-RING                     | 2               |
| 18          | KMS 9100           | ROTARY UNION HOUSING       | 1               |
| 19          | KMS 9105           | RETAINING RING             | 2               |

# CARRY DOWN ASSEMBLY

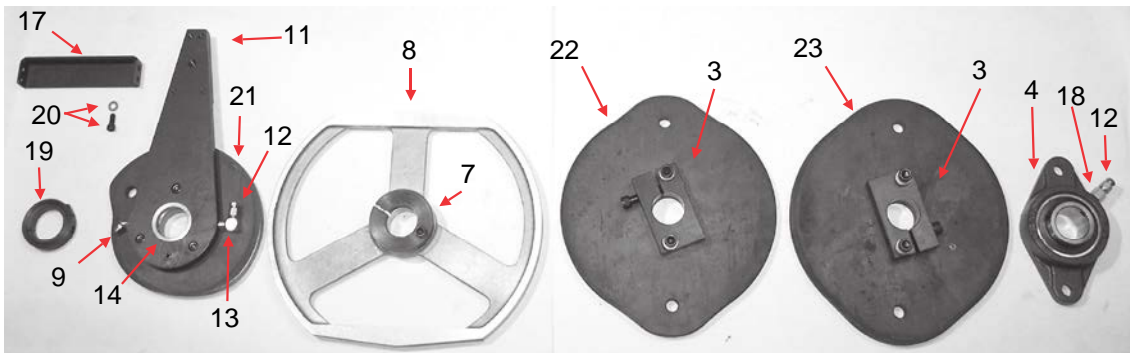
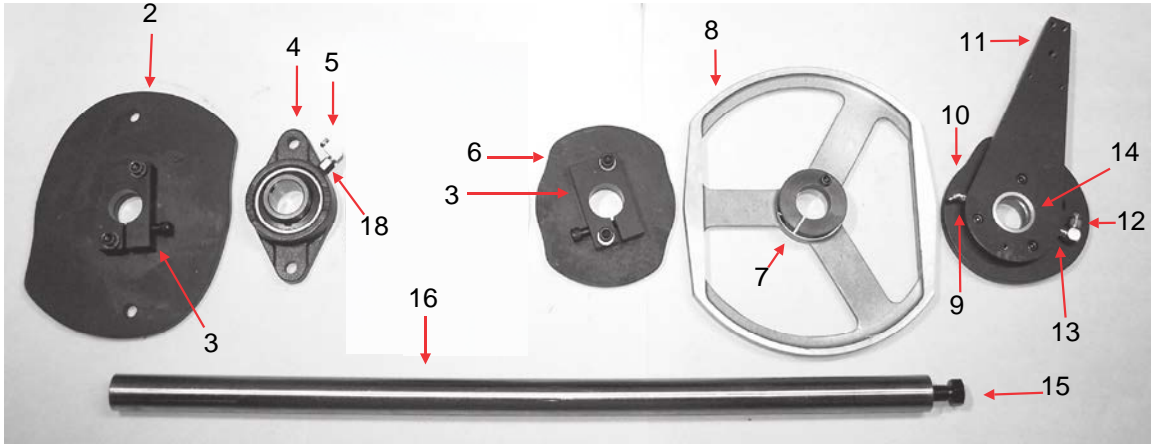




**CARRY DOWN ASSEMBLY**

| <b>ITEM</b> | <b>PART NUMBER</b> | <b>DESCRIPTION</b>         | <b>QUANTITY</b> |
|-------------|--------------------|----------------------------|-----------------|
| 1           | KMS 9136           | CARRY DOWN ARM             | 1               |
| 2           | KMS 9136S          | CARRY DOWN ARM SPACER      | 1               |
| 3           | KMS 1023           | CARRY DOWN WHEEL           | 1               |
|             | INCLUDES           | BEARING AND RETAINING CLIP |                 |
| 4           | H-106              | SOCKET HEAD CAPSCREW       | 1               |
| 5A          | KMS 9134           | LEFT HAND SPRING           | 1               |
| 5B          | KMS 9135           | RIGHT HAND SPRING          | 1               |
| 6           | KMS 9131           | CARRY DOWN BLOCK PIVOT     | 1               |
| 7           | KMS 2057           | CARRY DOWN BAND            | 1               |
| 8           | H-150              | WASHER                     | 2               |
| 9           | H-112              | LOCKWASHER                 | 2               |
| 10          | H-295              | SOCKET HD CAPSCREW         | 2               |
| 11          | KMS 2058           | FLAT WASHER                | 1               |
| 12          | ET 176G            | HANDLE                     | 1               |
| 13          | KMS 9130           | CARRY DOWN BLOCK           | 1               |
| 14          | H-294              | SPRING PIN                 | 1               |
| 15          | KMS 1065           | STOP BRACKET               | 1               |
| 16          | H-201              | SET SCREW                  | 1               |
| 17          | H-200              | LOCK NUT                   | 1               |
| 18          | H-158              | SOCKET HD CAPSCREW         | 1               |
| 19          | KMS 9138           | SPRING RETAINING COLLAR    | 1               |
| 20          | H-138              | LOCK NUT                   | 2               |
| 21          | H-178              | GREASE FITTING             | 1               |

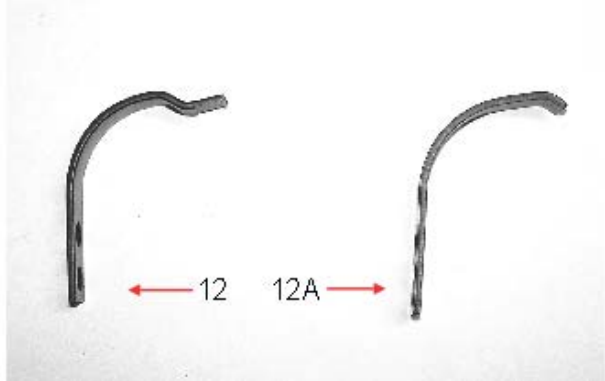
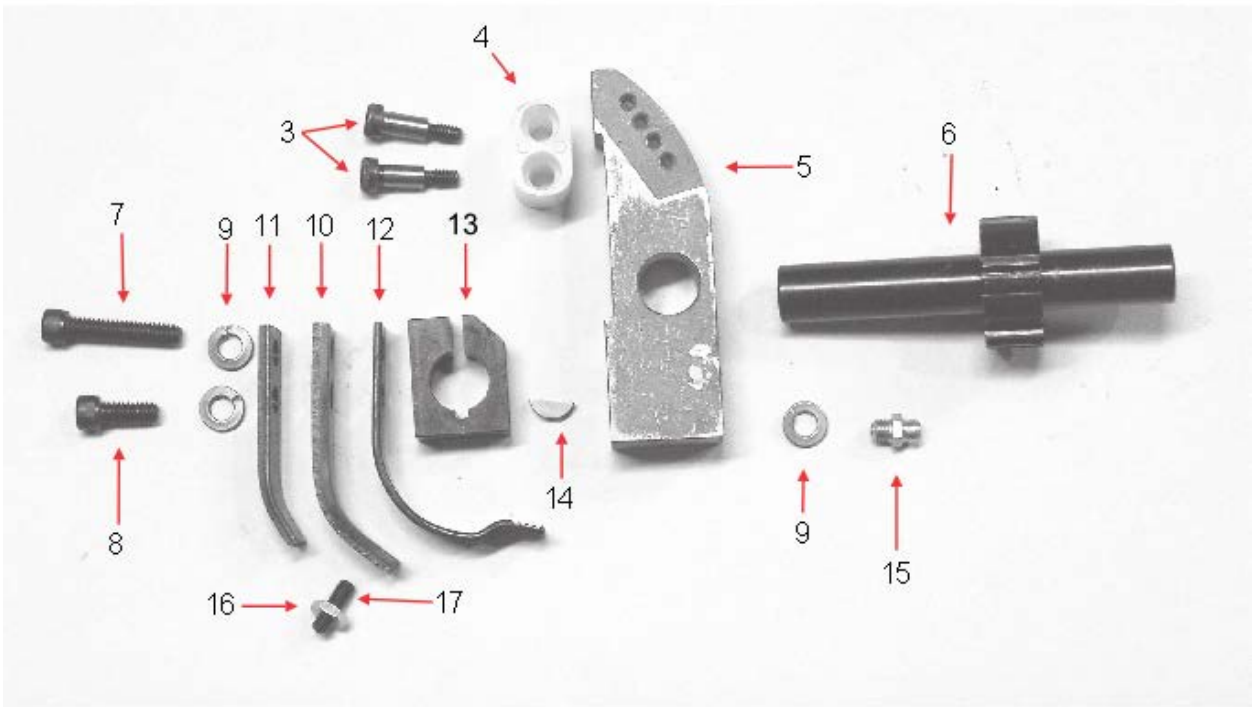
# HOPPER DRUM SHAFT ASSEMBLY



## HOPPER DRUM SHAFT ASSEMBLY

| ITEM | PART NUMBER                | DESCRIPTION              | QUANTITY |
|------|----------------------------|--------------------------|----------|
| 1    | KMS 2575CS<br>not pictured | GRIPPER DRUM SHAFT COMP. | 1        |
| 2    | KMS 2083                   | LIFT HOOK CAM            | 1        |
| 3    | KMS 2085                   | CAM HUB                  | 5        |
|      | MOUNTING                   |                          |          |
|      | H-122                      | SOCKET HD CAPSCREW       | 10       |
|      | H-115                      | LOCKWASHER               | 10       |
|      | H-139                      | SOCKET HD CAPSCREW       | 5        |
| 4    | KMS 2017                   | FLANGE BEARING           | 2        |
| 5    | KMS 0041                   | ELBOW FITTING            | 1        |
| 6    | KMS 2087                   | REAR PILE CAM            | 1        |
| 7    | KMS 2041                   | CLAMP                    | 2        |
|      | MOUNTING                   |                          |          |
|      | H-165                      | SOCKET HD CAPSCREW       | 2        |
| 8    | KMS 2049                   | DRUM ROLLER              | 2        |
| 9    | H-178                      | 45° GREASE FITTING       | 1        |
| 10   | KMS 2088                   | GRIPPER SPRING CAM       | 1        |
| 11   | KMS 2050                   | CAM CARRIER              | 2        |
|      | MOUNTING                   |                          |          |
|      | H-250                      | SOCKET HD CAPSCREW       | 6        |
|      | H-160                      | ROLL PIN                 | 2        |
| 12   | KMS 0040                   | STRAIGHT FITTING         | 3        |
| 13   | ET 184                     | ELBOW                    | 2        |
| 14   | KMS 2016                   | BRONZE BUSHING           | 2        |
| 15   | KMS 2110                   | LEFT HAND BOLT           | 1        |
| 16   | KMS 7304                   | DRUM SHAFT               | 1        |
| 17   | KMS 2051                   | CARRIER HANDLE           | 1        |
| 18   | ET 185                     | ADAPTER                  | 2        |
| 19   | KMS 2089                   | COLLAR                   | 1        |
| 20   | MOUNTING                   | FOR KMS 2051             |          |
|      | H-001                      | SOCKET HD CAPSCREW       | 4        |
|      | H-120                      | LOCKWASHER               | 4        |
| 21   | KMS 2090                   | GRIPPER CAM              | 1        |
| 22   | KMS 2091                   | SUCKER SWING CAM         | 1        |
| 23   | KMS 2092                   | NEEDLE CAM               | 1        |

# GRIPPER DRUM ASSEMBLY

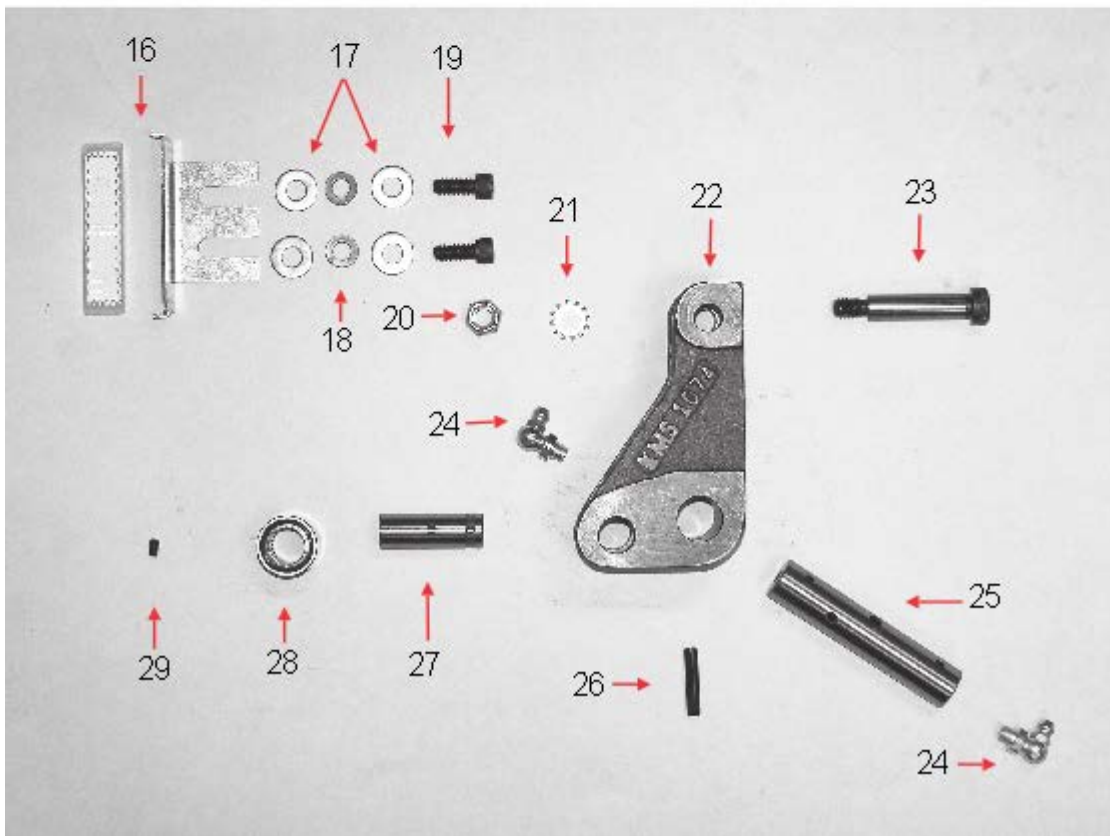
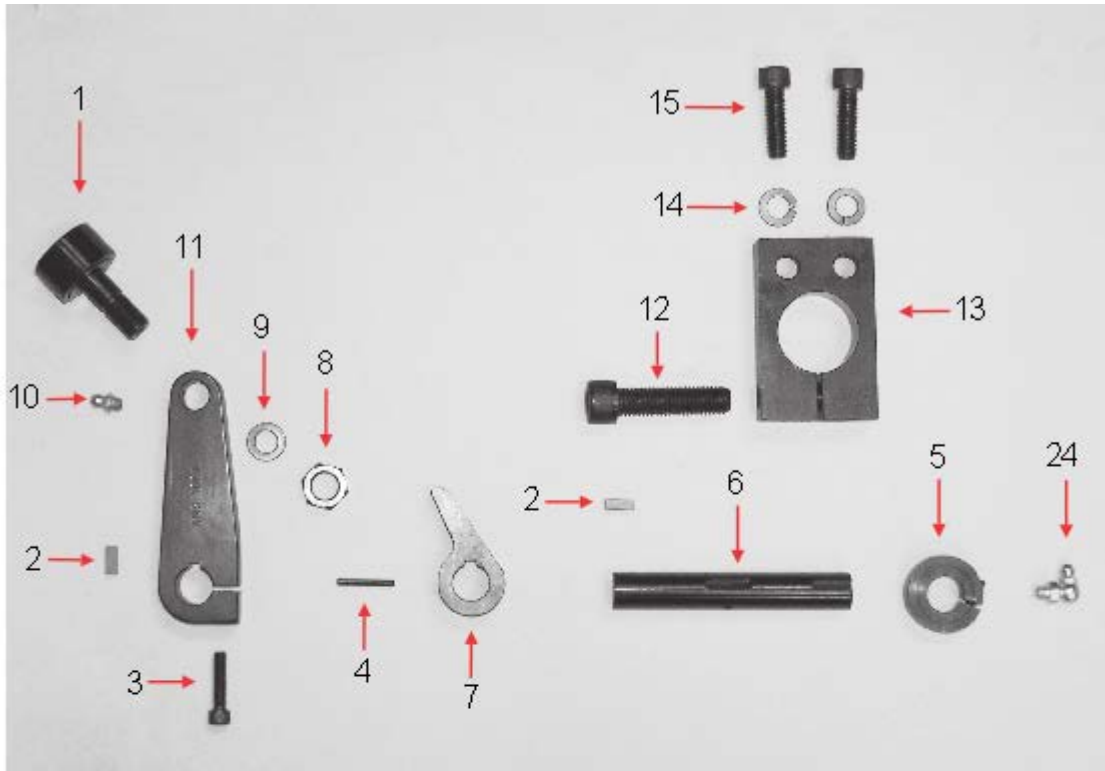


**GRIPPER DRUM ASSEMBLY**

Sheet 1 of 3

| <b>ITEM</b> | <b>PART NUMBER</b> | <b>DESCRIPTION</b>                | <b>QUANTITY</b> |
|-------------|--------------------|-----------------------------------|-----------------|
| 1           | KMS 2575C          | GRIPPER DRUM COMPLETE             | 1               |
| 2           | KMS 2575           | GRIPPER DRUM                      | 1               |
|             | COMES WITH         | KMS 2576 NEEDLE BEARING           | 8               |
|             | PLUS               | KMS 2516 GROOVED BUSHING          | 4               |
| 3           | KMS 1028           | SHOULDER BOLT                     | 4               |
| 4           | KMS 1010           | SEAT GRIPPER                      | 2               |
| OR          | KMS 1044           | SEAT GRIPPER-STEEL                |                 |
| 5           | KMS 1038           | GRIPPER SUPPORT                   | 2               |
| 6           | KMS 1039*          | GRIPPER GEARSHAFT                 | 1               |
| 7           | H-002              | SOCKET HD CAPSCREW                | 2               |
| 8           | H-001              | SOCKET HD CAPSCREW                | 2               |
| 9           | H-120              | LOCKWASHER                        | 6               |
| 10          | KMS 1036           | BACKUP LUG                        | 2               |
| 11          | KMS 1037           | GRIPPER BACKUP SPRING             | 2               |
| 12          | KMS 1035           | FLAT GRIPPER                      | 2               |
| 12A         | KMS 2043           | MEDIUM GRIPPER                    | 2               |
| 13          | KMS 1043           | GRIPPER CARRIER                   | 2               |
| OR          | KMS 8019           | GRIPPER CARRIER(use w/KMS 8004)   |                 |
| 14          | H-005              | WOODRUFF KEY                      | 2               |
| 15          | G 101              | LUBRICATION FITTING               | 2               |
| 16          | H-004              | HEX NUT                           | 2               |
| 17          | H-003              | SET SCREW                         | 2               |
| 18          | KMS 1038A          | GRIPPER ASSEMBLY                  | 2               |
|             |                    | MOUNTING FOR GRIPPER ASSY TO DRUM |                 |
|             | H-139              | SOCKET HD CAPSCREW                | 2               |
| *           | ALSO AVAILABLE     |                                   |                 |
|             | KMS 1039DK         | GRIPPER GEARSHAFT (double key)    |                 |
|             | KMS 8004           | GRIPPER GEARSHAFT (half teeth)    |                 |

### GRIPPER DRUM ASSEMBLY

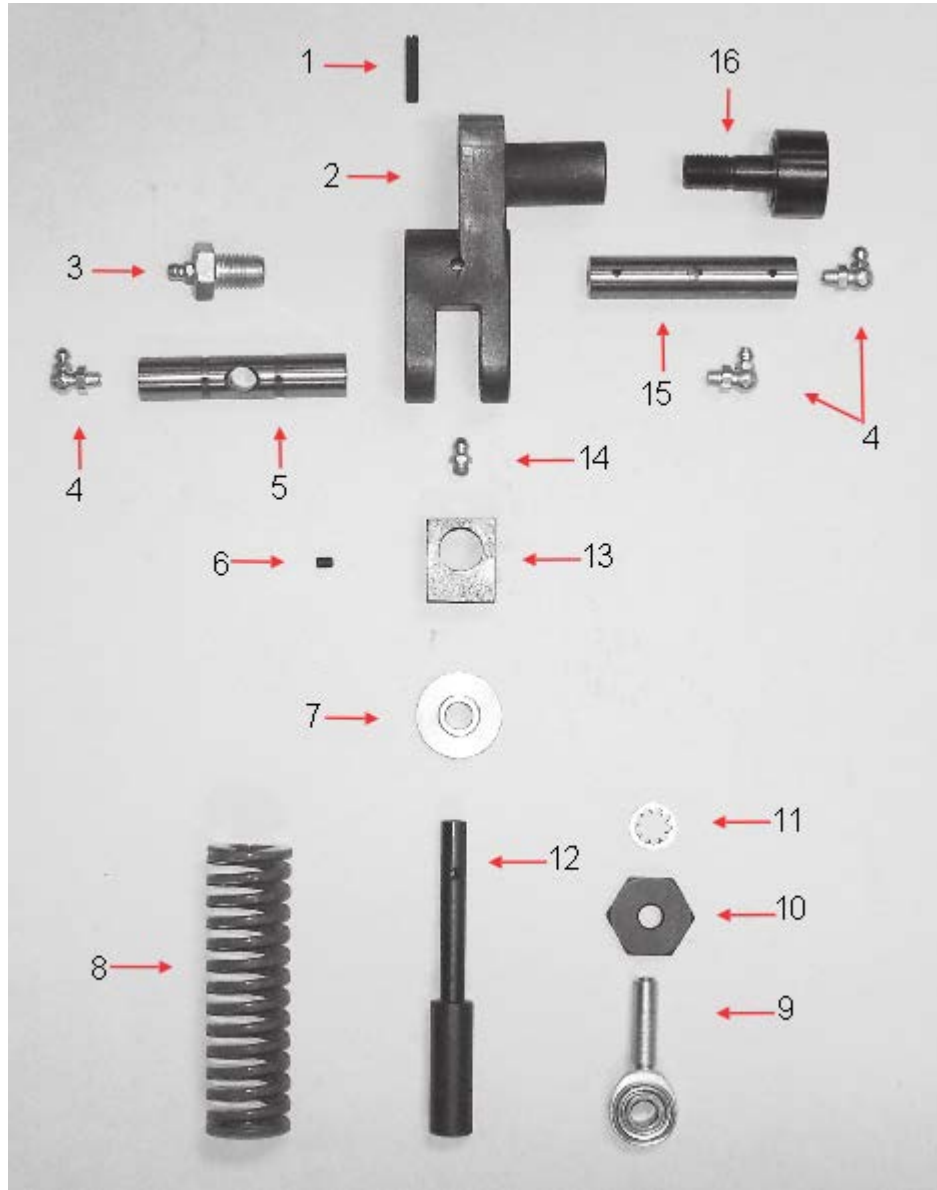


## GRIPPER DRUM ASSEMBLY

Sheet 2 of 3

| ITEM | PART NUMBER | DESCRIPTION          | QUANTITY |
|------|-------------|----------------------|----------|
| 1    | KMS 1072    | CAM FOLLOWER 1 1/4"  | 2        |
| 2    | H-117       | SQUARE KEY           | 4        |
| 3    | H-187H      | SOCKET HD CAPSCREW   | 2        |
| 4    | H-264       | ROLL PIN             | 2        |
| 5    | KMS 1040    | LOAD SHAFT CLAMP     | 2        |
| 6    | KMS 1008    | LOAD CAM LEVER SHAFT | 2        |
| 7    | KMS 1009    | LOAD CAM LEVER       | 2        |
| 8    | H-111       | HEX NUT              | 2        |
| 9    | H-112       | LOCK WASHER          | 2        |
| 10   | G 101       | LUBRICATION FITTING  | 2        |
| 11   | KMS 1007    | LOAD CAM LEVER       | 2        |
| 12   | H-248       | SOCKET HD CAPSCREW   | 2        |
| 13   | KMS 1041    | GRIPPER DRUM DRIVER  | 2        |
| 14   | H-115       | LOCK WASHER          | 4        |
| 15   | H-122       | SOCKET HD CAPSCREW   | 4        |
| 16   | KMS 4110Y   | REFLECTOR ASSEMBLY   | 2        |
|      | INCLUDES    |                      |          |
|      | KMS 4110B   | RECTANGULAR BRACKET  | 1        |
|      | KMS 4110YR  | YELLOW REFLECTOR     | 1        |
| 17   | H-150       | FLAT WASHER          | 8        |
| 18   | H-120       | LOCK WASHER          | 4        |
| 19   | H-001       | SOCKET HD CAPSCREW   | 4        |
| 20   | H-110       | NYLON LOCK NUT       | 2        |
| 21   | H-109       | EXTERNAL LOCK WASHER | 2        |
| 22   | DC18-351    | ROCKER ARM           | 2        |
| 23   | KMS 1029    | SHOULDER BOLT        | 2        |
| 24   | G 102       | LUBRICATION FITTING  | 6        |
| 25   | KMS 2501    | ROCKER ARM SHAFT     | 2        |
| 26   | H-107       | SPRING PIN           | 2        |
| 27   | KMS 8022    | SHAFT                | 2        |
| 28   | KMS 1014    | LEVER ROLLER         | 2        |
| 29   | H-182       | SET SCREW            | 1        |

## GRIPPER DRUM ASSEMBLY





**GRIPPER DRUM ASSEMBLY**

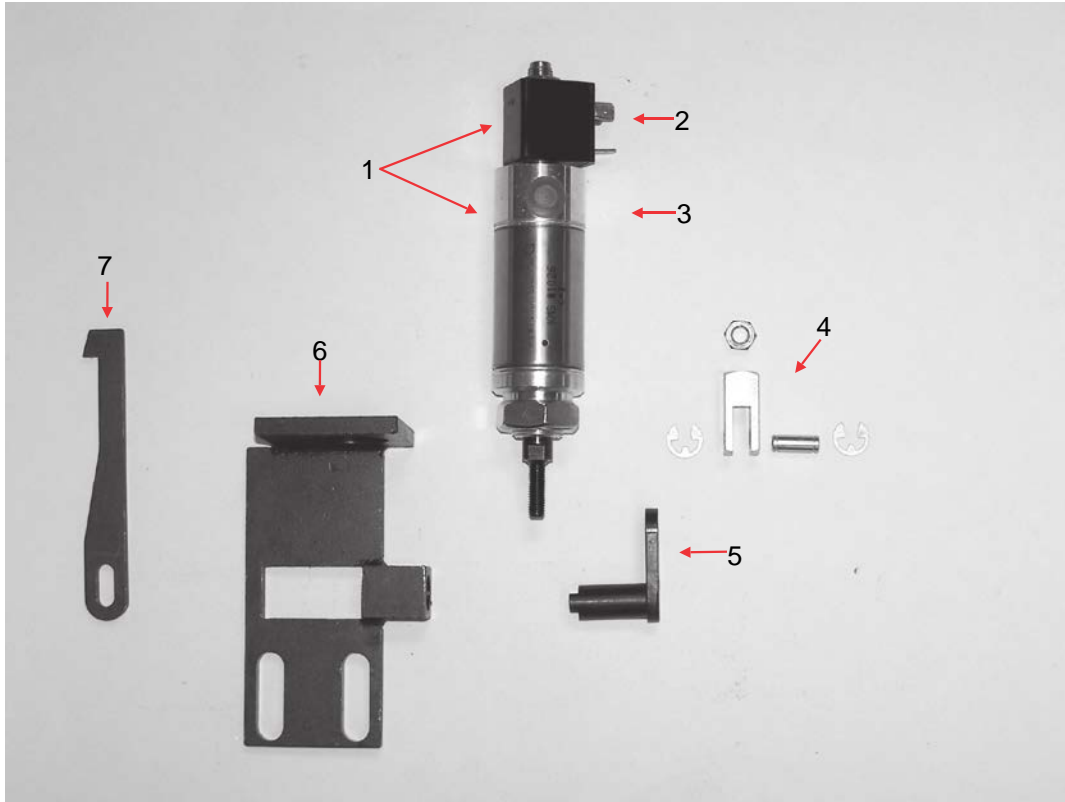
Sheet 3 of 3

| ITEM | PART<br>NUMBER | DESCRIPTION                                       | QUANTITY |
|------|----------------|---|----------|
| 1    | H-107          | SPRING PIN  | 2        |
| 2    | KMS 1003XSB*   | GRIPPER GEAR SEGMENT<br>(STEEL W/NEEDLE BEARINGS) | 2        |
| 3    | KMS 1073       | CAMROL STUD                                       | 2        |
| 4    | G 102          | LUBRICATION FITTING                               | 6        |
| 5    | KMS 8013       | SPRING BLOCK PIN                                  | 2        |
| 6    | H-108          | SET SCREW   | 2        |
| 7    | KMS 1005       | SPRING SEAT                                       | 2        |
| 8    | KMS 1042       | HELICAL SPRING                                    | 2        |
| 9    | KMS 1012       | ROD END BEARING                                   | 2        |
| 10   | KMS 1011       | SPRING NUT  | 2        |
| 11   | H-119          | INTERNAL LOCKWASHER                               | 2        |
| 12   | KMS 1006       | SPRING ROD  | 2        |
| 13   | KMS 8016       | SPRING BLOCK                                      | 2        |
| 14   | G 101          | LUBRICATION FITTING                               | 2        |
| 15   | KMS 2500       | SEGMENT PIVOT SHAFT                               | 2        |
| 16   | KMS 1072       | CAM FOLLOWER                                      | 2        |

## \*ALSO AVAILABLE

|            |  |
|------------|--|
| KMS 1003   | GRIPPER GEAR SEGMENT<br>(PLAIN BRONZE)             |
| KMS 1003B  | GRIPPER GEAR SEGMENT<br>(BRONZE W/NEEDLE BEARINGS) |
| KMS 1003XS | GRIPPER GEAR SEGMENT<br>(STEEL W/BUSHINGS)         |

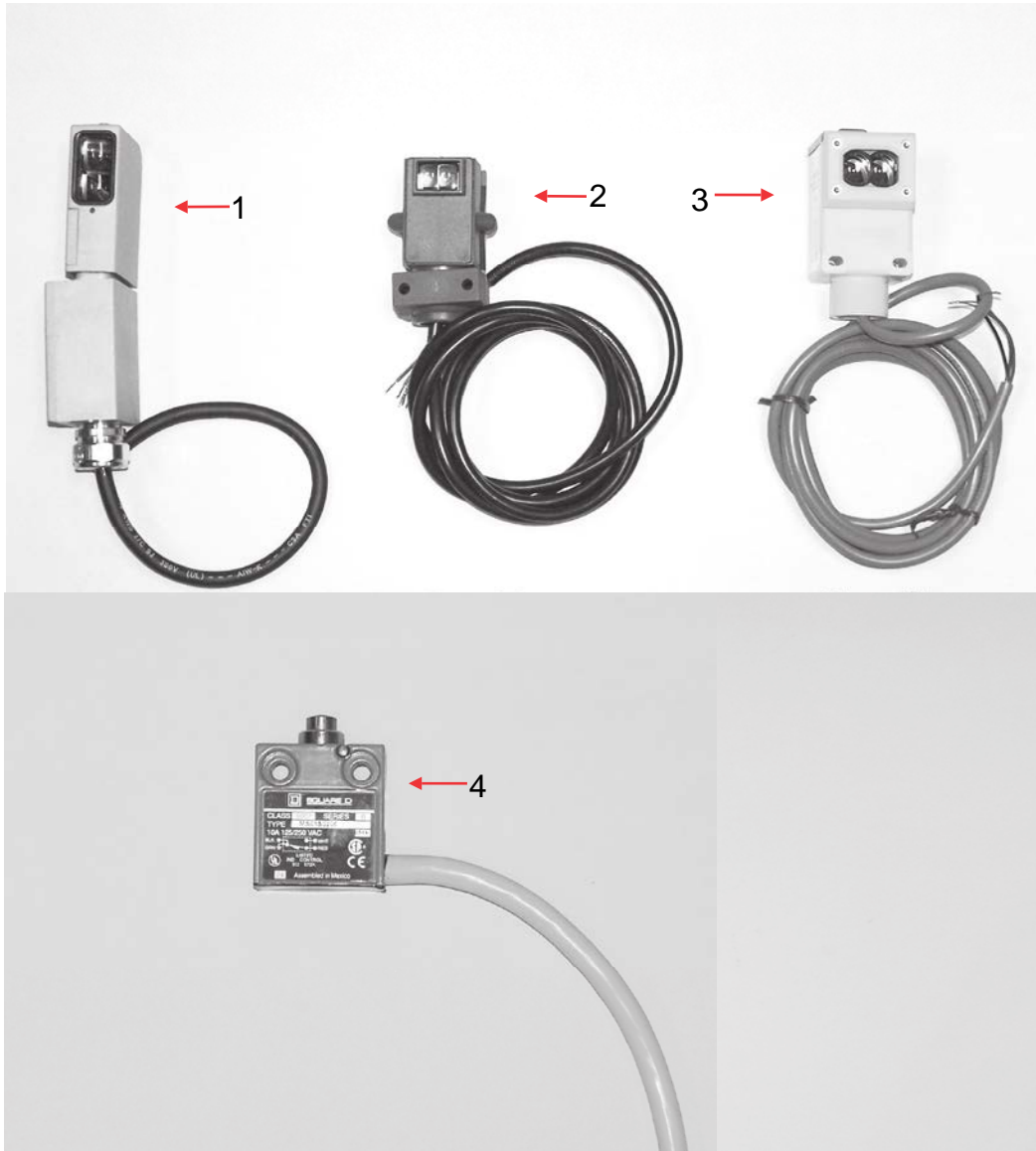
## INHIBIT MECHANISM



| ITEM | PART NUMBER               | DESCRIPTION          | QUANTITY |
|------|---------------------------|----------------------|----------|
| 1    | KMS 9253                  | CYLINDER             | 1        |
| 2    | KMS 9803                  | CONNECTOR            | 1        |
| 3    | KMS 1026G                 | HOPPER INHIBIT VALVE | 1        |
| 4    | KMS 3116                  | CLEVIS               | 1        |
|      | ALSO                      | AVAILABLE            |          |
|      | KMS 3116C                 | CLEVIS PIN CLIP      |          |
|      | KMS 3116P                 | CLEVIS PIN           |          |
| 5    | KMS 9801                  | WELDED INHIBIT LATCH | 1        |
| 6    | KMS 9800                  | INHIBIT BRACKET      | 1        |
| 7    | KMS 9258                  | LATCH                | 1        |
|      | ATTACHES TO KMS 9801 WITH |                      |          |
|      | H-207                     | SOCKET HD CAPSCREW   | 1        |
|      | H-136                     | LOCK WASHER          | 1        |
|      | H-136A                    | FLAT WASHER          | 1        |

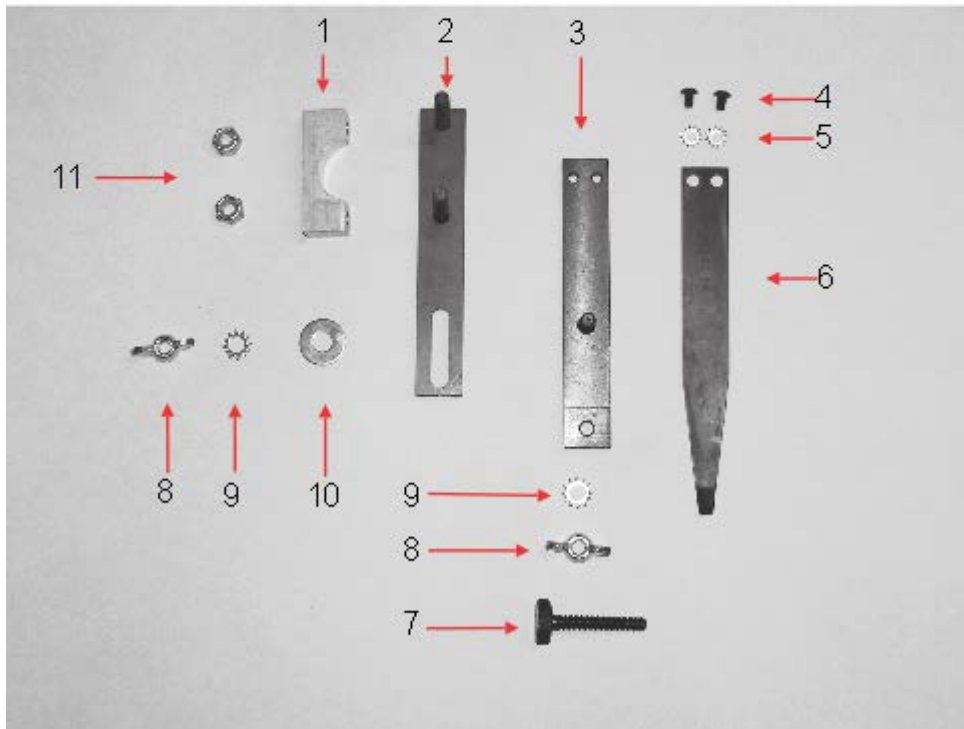
**ALSO AVAILABLE KMS 0211 ALLEN AIR CYLINDER**

## PHOTO EYES-MICRO SWITCHES



| ITEM | PART NUMBER | DESCRIPTION              | QUANTITY |
|------|-------------|--------------------------|----------|
| 1    | PC 2000     | PHOTO MISS DETECTOR ASSY | 1        |
|      | INCLUDES    |                          |          |
|      | ET 117      | PHOTO SWITCH BASE        | 1        |
|      | ET 118      | PHOTO SWITCH REFLEX HEAD | 1        |
|      | ET 119      | PHOTO SWITCH RELAY       | 1        |
| 2    | PC 2000A    | PHOTO EYE                | 1        |
|      | INCLUDES    |                          |          |
|      | ET 163      | PHOTOCELL                | 1        |
|      | ET 164      | LIGHT/DARK MODULE        | 1        |
|      | ET 165      | SOLID STATE RELAY        | 1        |
| 3    | PC 2004     | PHOTO EYE                | 1        |
| 4    | KMS 5008    | LIMIT/MICRO SWITCH       | 1        |

## STRIPPER ASSEMBLY



| ITEM | PART NUMBER     | DESCRIPTION         | QUANTITY |
|------|-----------------|---------------------|----------|
|      | <b>KMS 1062</b> | COMPLETE ASSEMBLY   | 1        |
|      | INCLUDES        | EVERYTHING PICTURED |          |
| 1    | KMS 1092        | STRIPPER CLAMP      | 1        |
| 2    | KMS 1091        | STRIPPER GUIDE      | 1        |
| 3    | KMS 1094        | STRIPPER BASE       | 1        |
| 4    | H-183           | BUTTON HD CAPSCREW  | 2        |
| 5    | H-262           | EXTERNAL LOCKWASHER | 2        |
| 6    | YOUR CHOICE     | STRIPPER            | 1        |
| 7    | KMS 1093        | KNURLED HEAD SCREW  | 1        |
| 8    | H-124           | WING NUT            | 2        |
| 9    | H-261           | EXTERNAL LOCKWASHER | 2        |
| 10   | H-150           | FLAT WASHER         | 1        |
| 11   | H-249           | NYLON LOCKNUT       | 2        |

# STRIPPERS

KMS 1063A



CARD STOCK AND MEDIUM  
SECTION INSERTS

KMS 1063RR



LARGER PRODUCTS

KMS 1063DN



THINNER PRODUCTS AND  
INSERTS

KMS 1063SB



THINNER PRODUCTS

KMS 1063DW



LIGHT SECTION INSERTS

KMS 1063SS



SINGLE SHEET AND THIN  
INSERTS

KMS 1063GS



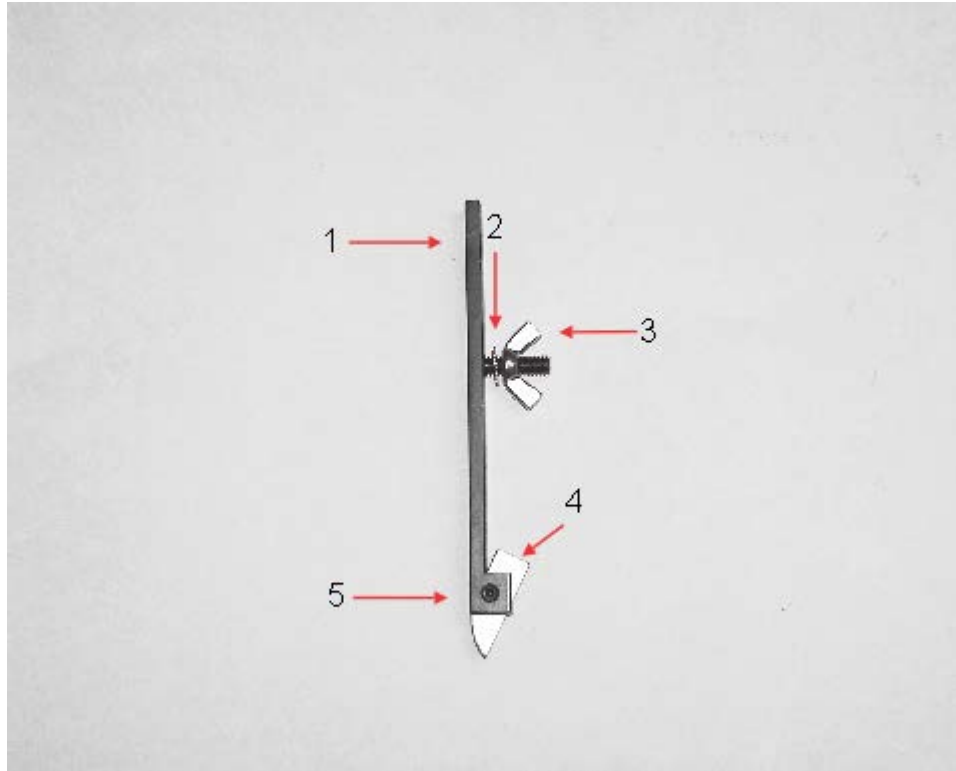
SINGLE SHEET AND THIN  
INSERTS

KMS 1063TV



TV GUIDES AND HEAVY  
INSERTS

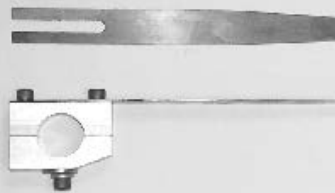
## STRIPPERS



| ITEM | PART NUMBER       | DESCRIPTION            | QUANTITY |
|------|-------------------|------------------------|----------|
|      | <b>KMS 1094SS</b> | COMPLETE ASSEMBLY      | 1        |
|      | INCLUDES          | BLADE, BASE & SETSCREW |          |
| 1    | H-261             | EXTERNAL LOCKWASHER    | 1        |
| 2    | H-124             | WINGNUT                | 1        |
| 3    | KMS 1094SSB       | BLADE                  | 1        |
| 4    | H-251             | SETSCREW               | 1        |

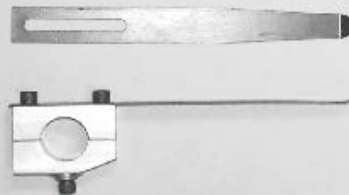
## STRIPPERS

FLEXIBLE STRIPPER  
ADJUSTABLE



KMS 2035NYT

FLEXIBLE STRIPPER  
LARGER SECTION  
INSERTS



KMS 2035CS

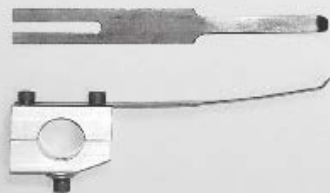
KMS 2036

FLEXIBLE STRIPPER  
LARGER SECTIONS  
INSERTS



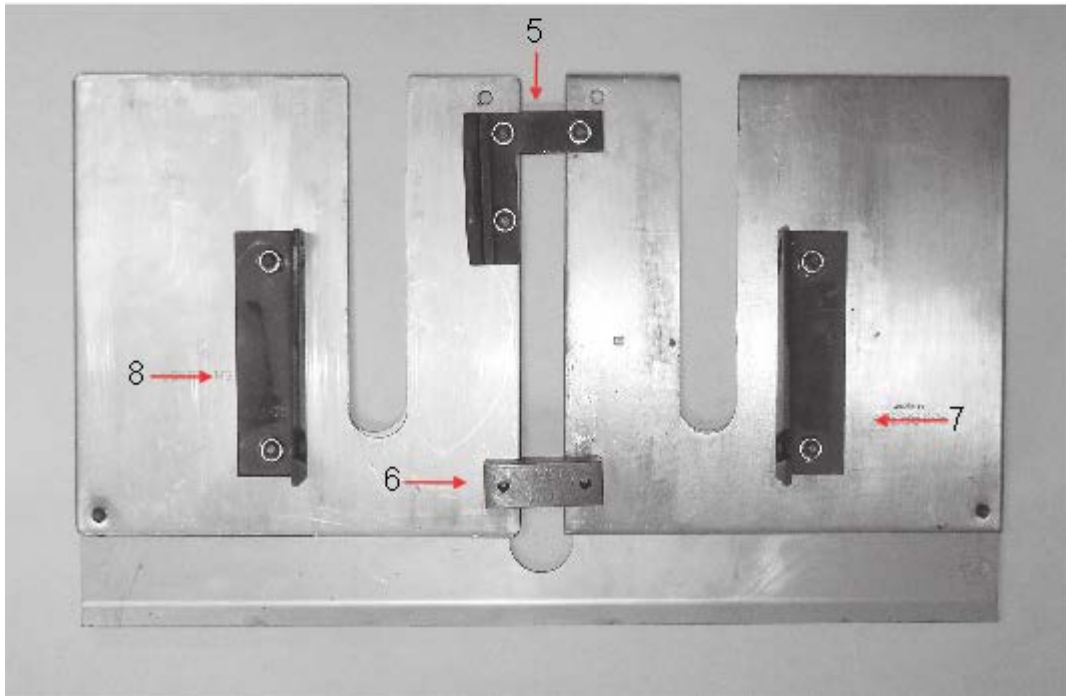
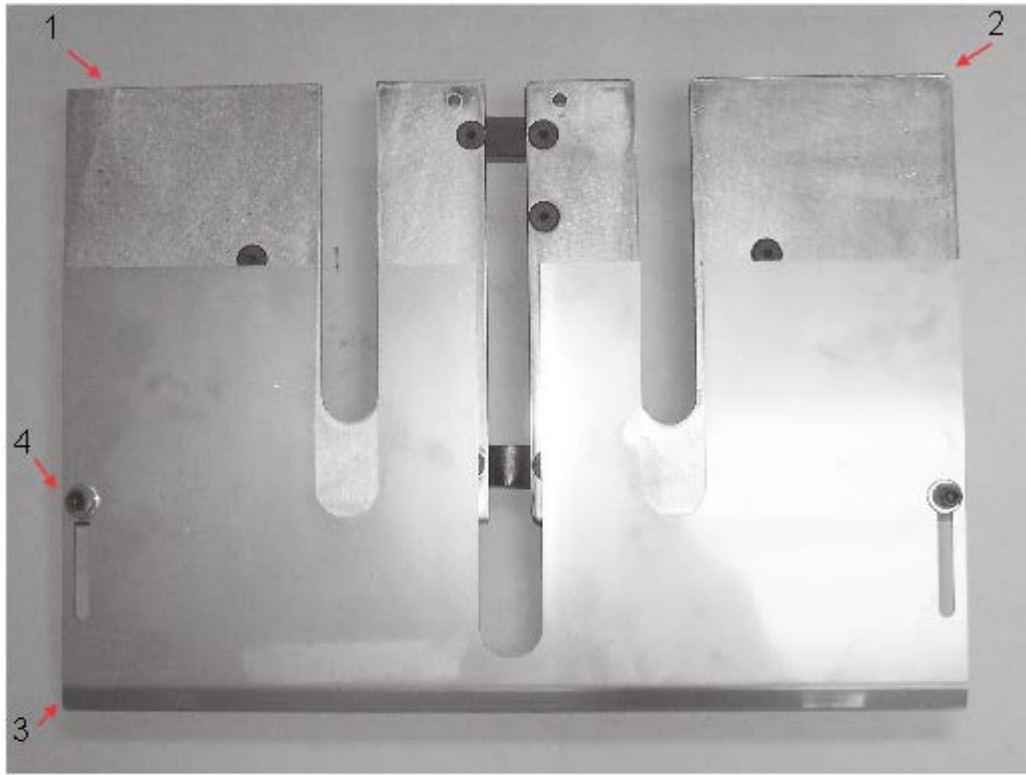
KMS 2035OS

FLEXIBLE STRIPPER  
TV GUIDE



KMS 2035TV

# PAPER GUIDES



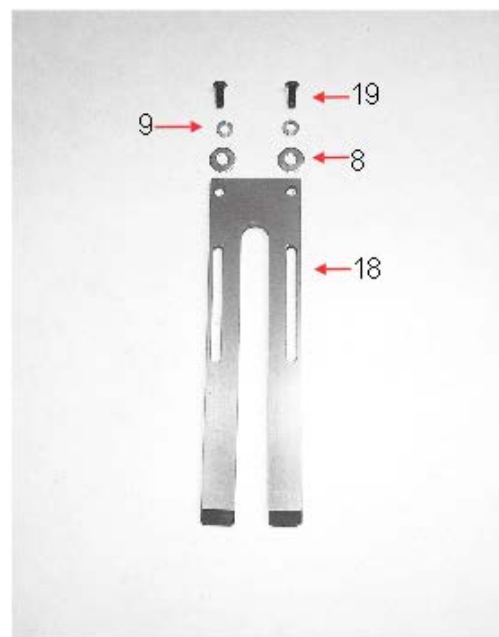
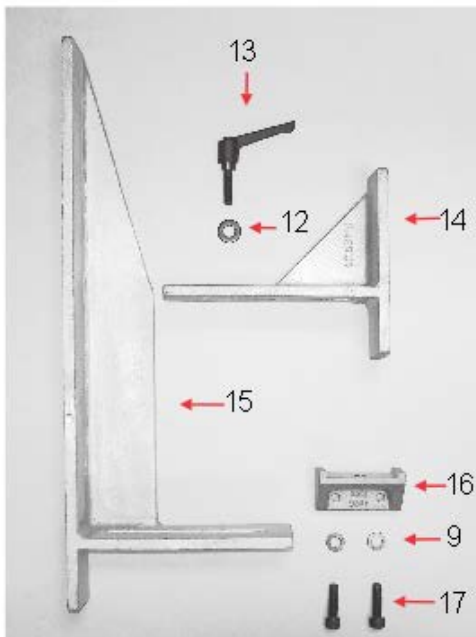
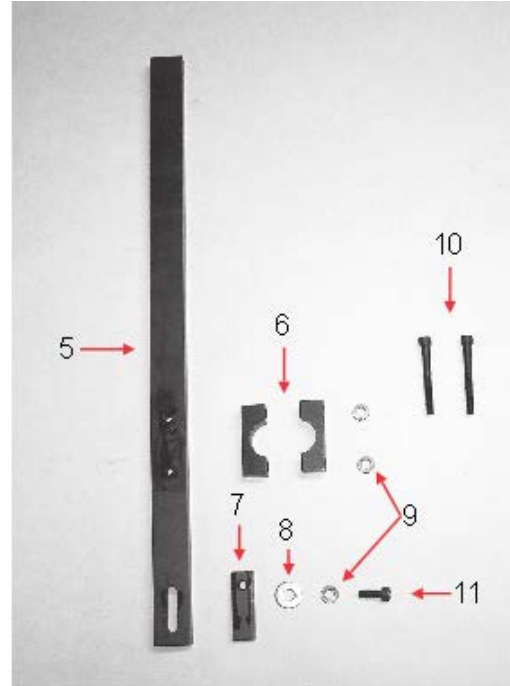
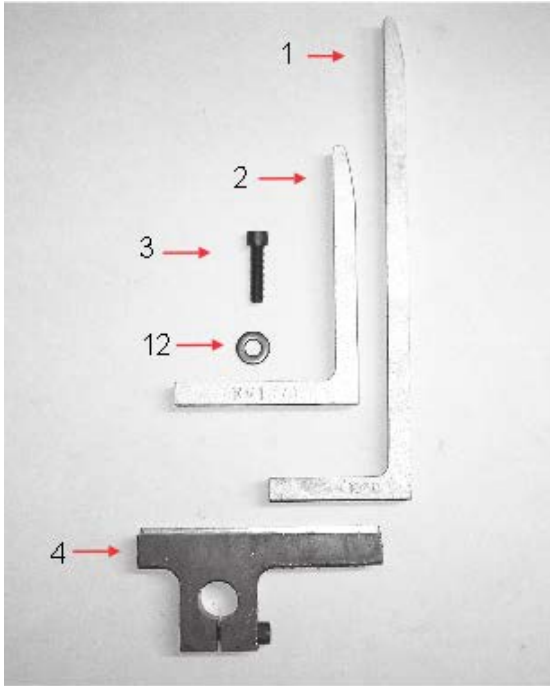


**PAPER GUIDES**

Sheet 1 of 3

| <b>ITEM</b> | <b>PART<br/>NUMBER</b> | <b>DESCRIPTION</b>          | <b>QUANTITY</b> |
|-------------|------------------------|-----------------------------|-----------------|
| 1           | KMS 0160G              | RIGHT SUPPORT PLATE         | 1               |
| 2           | KMS 0159G              | LEFT SUPPORT PLATE          | 1               |
| 3           | KMS 2013G              | BELLY PLATE                 | 1               |
| 4           | MOUNTING               |                             |                 |
|             | H-120                  | LOCKWASHER                  | 2               |
|             | H-150                  | FLAT WASHER                 | 2               |
|             | H-187                  | SOCKET HD CAPSCREW          | 2               |
| 5           | KMS 0163               | PAPER SUPPORT PILE BRACKET  | 1               |
| 6           | KMS 0158               | PAPER SUPPORT TIE BAR       | 1               |
| 7           | KMS 0162               | RIGHT SUPPORT PLATE BRACKET | 1               |
| 8           | KMS 0161               | LEFT SUPPORT PLATE BRACKET  | 1               |
|             | MOUNTING FOR BRACKETS  |                             |                 |
|             | H-148                  | FLATHEAD SCREW              |                 |
|             | H-203                  | JAM NUT                     |                 |

### PAPER GUIDES

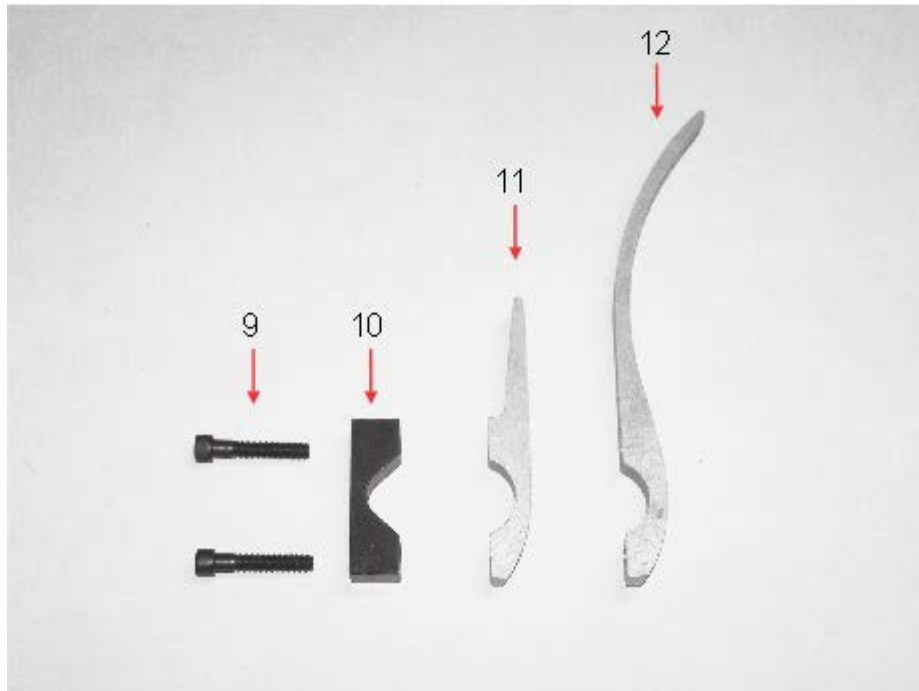
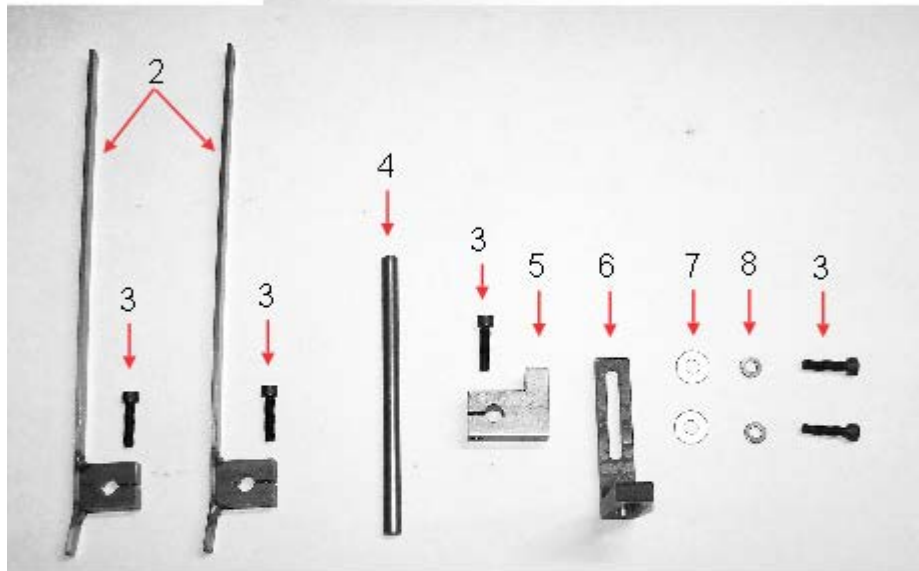
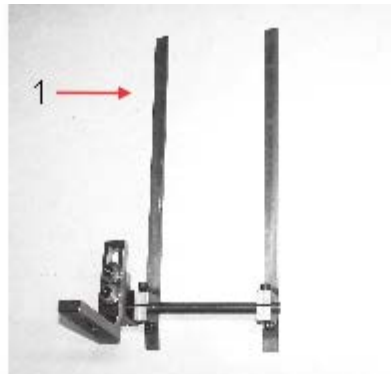


**PAPER GUIDES**

Sheet 2 of 3

| <b>ITEM</b> | <b>PART<br/>NUMBER</b> | <b>DESCRIPTION</b>  | <b>QUANTITY</b> |
|-------------|------------------------|---------------------|-----------------|
| 1           | KMS 1080               | BACK GUIDE LONG     | 1               |
| 2           | KMS 1079               | BACK GUIDE SHORT    | 1               |
| 3           | H-114                  | SOCKET HD CAPSCREW  | 1               |
| 4           | KMS 1081               | BACK GUIDE SUPPORT  | 1               |
| 5           | KMS 2044               | FRONT GUIDE         | 1               |
|             | INCLUDES               | CLAMP & TAB         |                 |
| 6           | KMS 2044C              | CLAMP               | 1               |
| 7           | KMS 2044T              | TAB                 | 1               |
| 8           | H-150                  | FLAT WASHER         | 3               |
| 9           | H-120                  | LOCKWASHER          | 7               |
| 10          | H-158                  | SOCKET HD CAPSCREW  | 2               |
| 11          | H-001                  | SOCKET HD CAPSCREW  | 1               |
| 12          | KMS 2058               | FLAT WASHER         | 2               |
| 13          | ET 176                 | HANDLE              | 1               |
| 14          | KMS 2034               | FRONT GUIDE (SHORT) | 1               |
| 15          | KMS 2033               | REAR GUIDE (TALL)   | 1               |
| 16          | KMS 9311               | SIDE GUIDE BASE     | 1               |
| 17          | H-122                  | SOCKET HD CAPSCREW  | 2               |
| 18          | KMS 2014               | SADDLE              | 1               |
| 19          | H-259                  | BUTTON HD CAPSCREW  | 2               |

# PAPER GUIDES



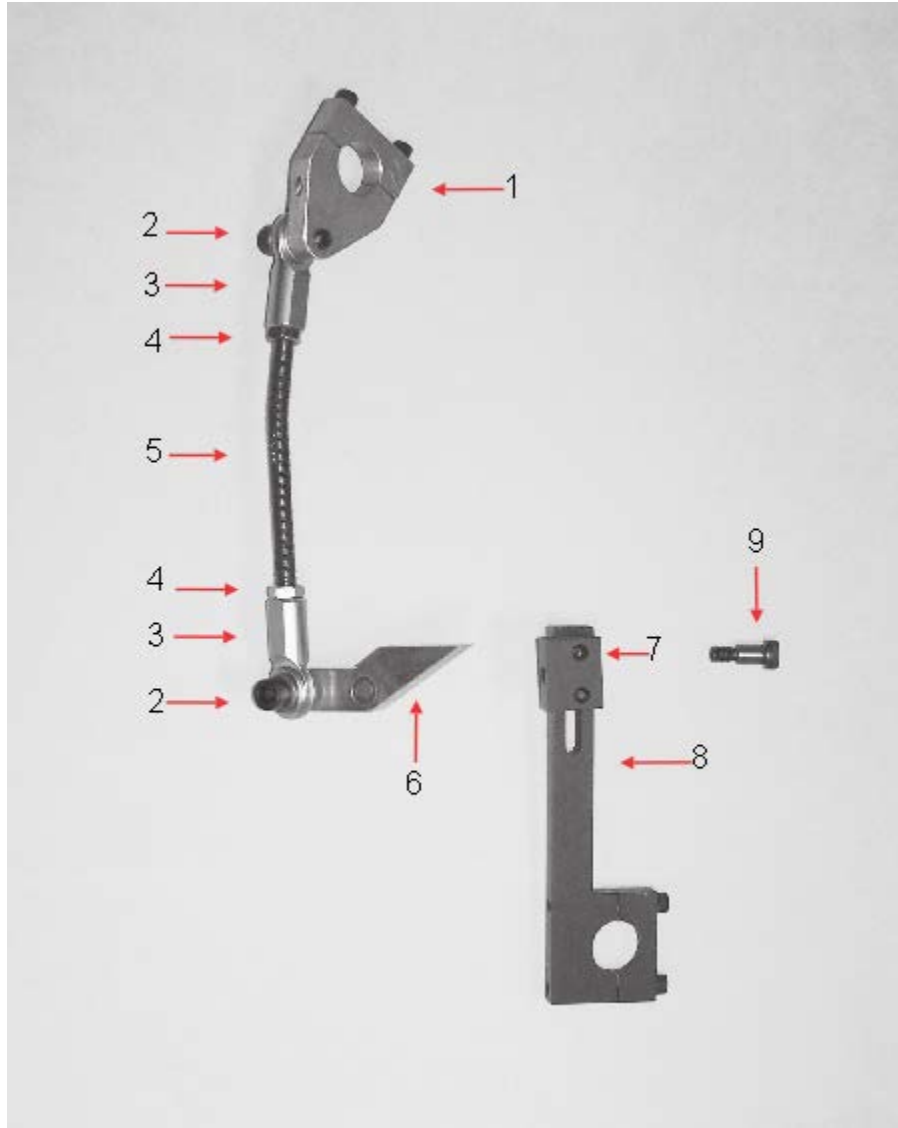
## PAPER GUIDES

Sheet 3 of 3

## PART

| ITEM | NUMBER    | DESCRIPTION             | QUANTITY |
|------|-----------|-------------------------|----------|
| 1    | KMS 7600  | CARD CAN ASSEMBLY       | 1        |
|      |           | INCLUDES ITEMS 2 THRU 8 |          |
| 2    | KMS 7600G | GUIDE                   | 2        |
| 3    | H-187     | SOCKET HD CAPSCREW      | 5        |
| 4    | KMS 7600R | ROD                     | 1        |
| 5    | KMS 7600B | BRACKET                 | 1        |
| 6    | KMS 7600L | L BRACKET               | 1        |
| 7    | H-150     | FLAT WASHER             | 2        |
| 8    | H-120     | LOCKWASHER              | 2        |
| 9    | H-106     | SOCKET HD CAPSCREW      | 4        |
| 10   | KMS 2119  | CLAMPING CAP            | 2        |
| 11   | KMS 2118  | DROP GUIDE              | 1        |
| 12   | KMS 2117  | DRUM GUIDE              | 1        |

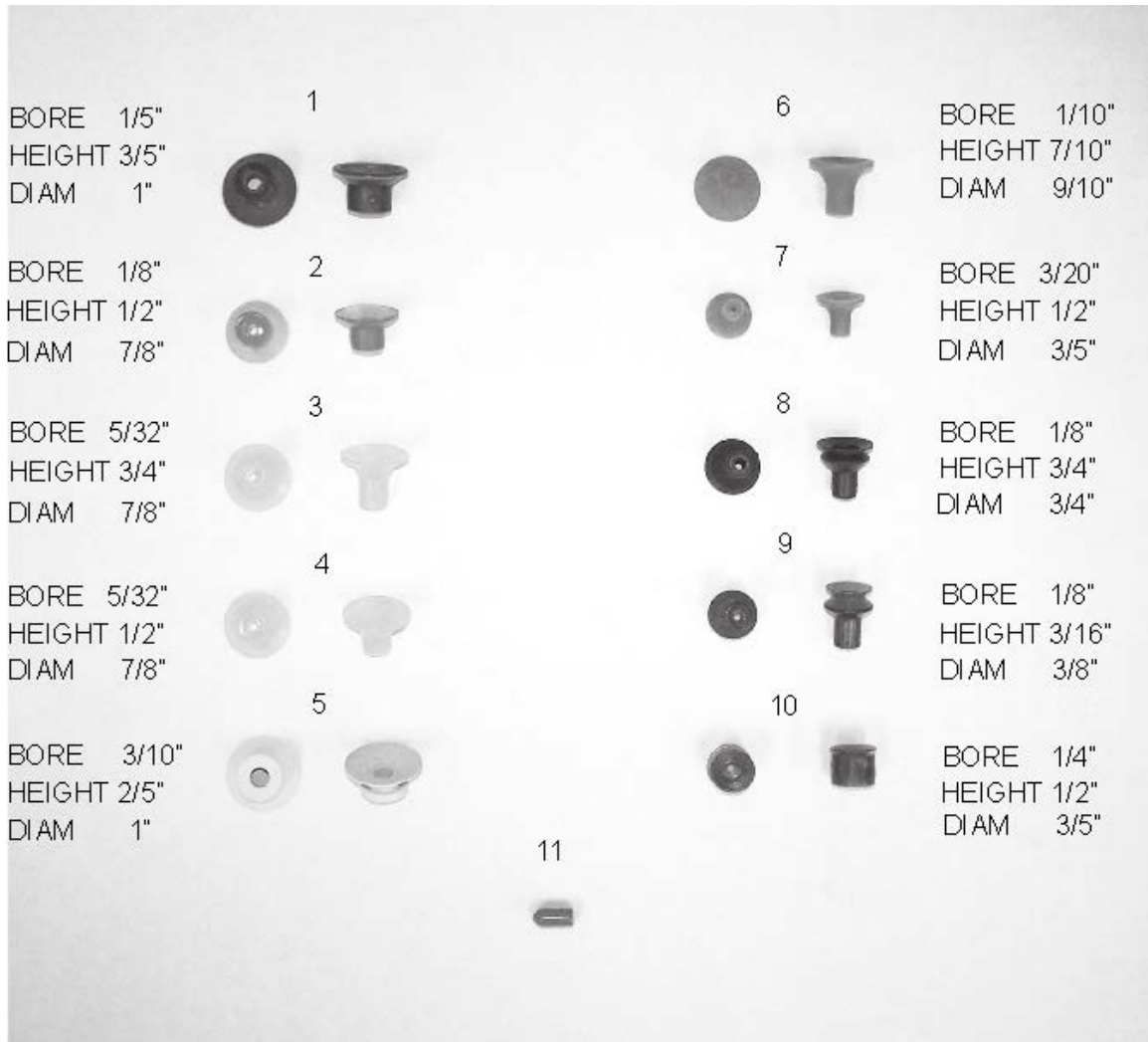
## BOWING FINGER ASSEMBLY



**BOWING FINGER ASSEMBLY**

| <b>ITEM</b> | <b>PART NUMBER</b> | <b>DESCRIPTION</b>        | <b>QUANTITY</b> |
|-------------|--------------------|---------------------------|-----------------|
|             | KMS 2011           | LEFT BOWING FINGER        |                 |
|             | KMS 2012           | RIGHT BOWING FINGER       |                 |
| 1           | KMS 2026           | SIDE ACTUATING LEVER ASSY | 1               |
|             | INCLUDES           |                           |                 |
|             | H-002              | SOCKET HD CAPSCREW        | 2               |
| 2           | H-122              | SOCKET HD CAPSCREW        | 2               |
|             | H-115              | LOCKWASHER                | 2               |
| 3           | KMS 1047           | ROD END BEARING           | 2               |
| 4           | H-141              | JAM NUT                   | 2               |
| 5           | KMS 2029           | PUSH ROD                  | 1               |
| 6           | KMS 2030           | PUSHER FINGER             | 1               |
| 7           | KMS 2031           | PIVOT BLOCK               | 1               |
|             | MOUNTS WITH        |                           |                 |
|             | H-187              | SOCKET HD CAPSCREW        | 2               |
|             | H-120              | LOCKWASHER                | 2               |
| 8           | KMS 2032           | CLAMP SUPPORT ASSY        | 1               |
|             | INCLUDES           |                           |                 |
|             | H-002              | SOCKET HD CAPSCREW        | 2               |
| 9           | H-175              | SHOULDER BOLT             | 1               |

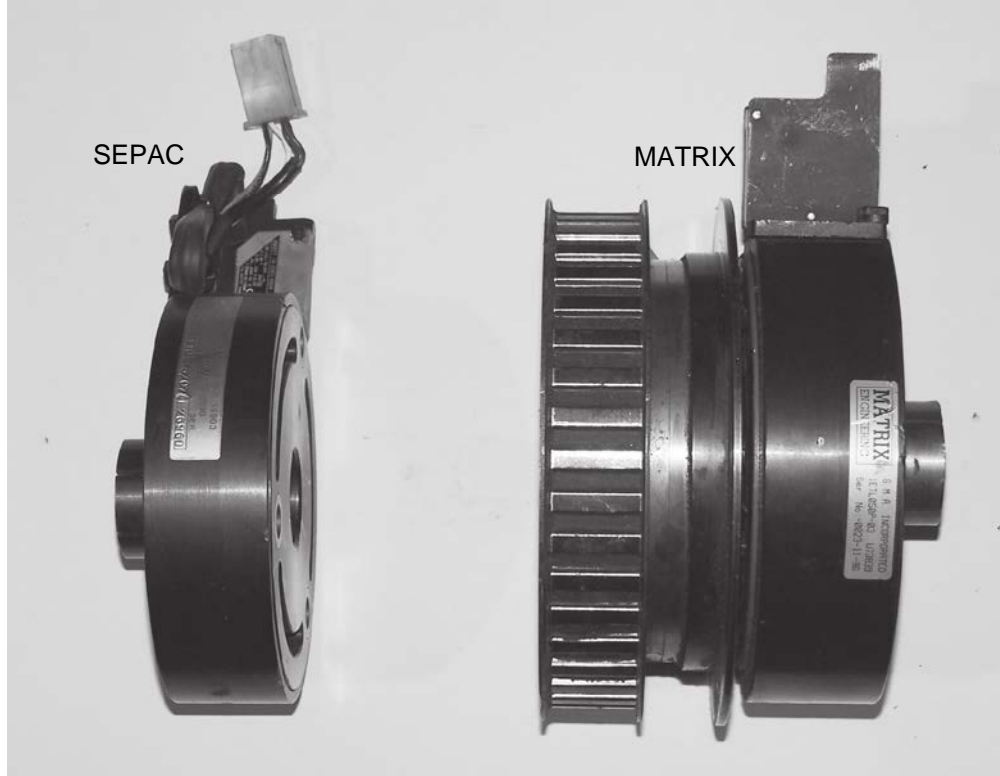
## SUCKERS & CAPS



| ITEM | PART NUMBER | DESCRIPTION               |
|------|-------------|---------------------------|
| 1    | KMS 138     | BLUE SUCKER               |
| 2    | KMS 36B     | GREEN SUCKER              |
| 3    | KMS 50Y     | YELLOW SUCKER             |
| 4    | KMS 56Y     | YELLOW SUCKER             |
| 5    | KMS 0310    | BEIGE SUCKER              |
| 6    | S502-1      | LARGE SUCKER              |
| 7    | S506-1      | SMALL SUCKER              |
| 8    | KMS BL15    | BLACK SINGLE SHEET SUCKER |
| 9    | KMS B15     | BLUE SINGLE SHEET SUCKER  |
| 10   | KMS 5252    | MOVABLE POCKETWALL SUCKER |
| 11   | RED CAPS    |                           |
|      | RC 172      | 1/2" LONG .172 DIAMETER   |
|      | RC 250      | 5/8" LONG .250 DIAMETER   |



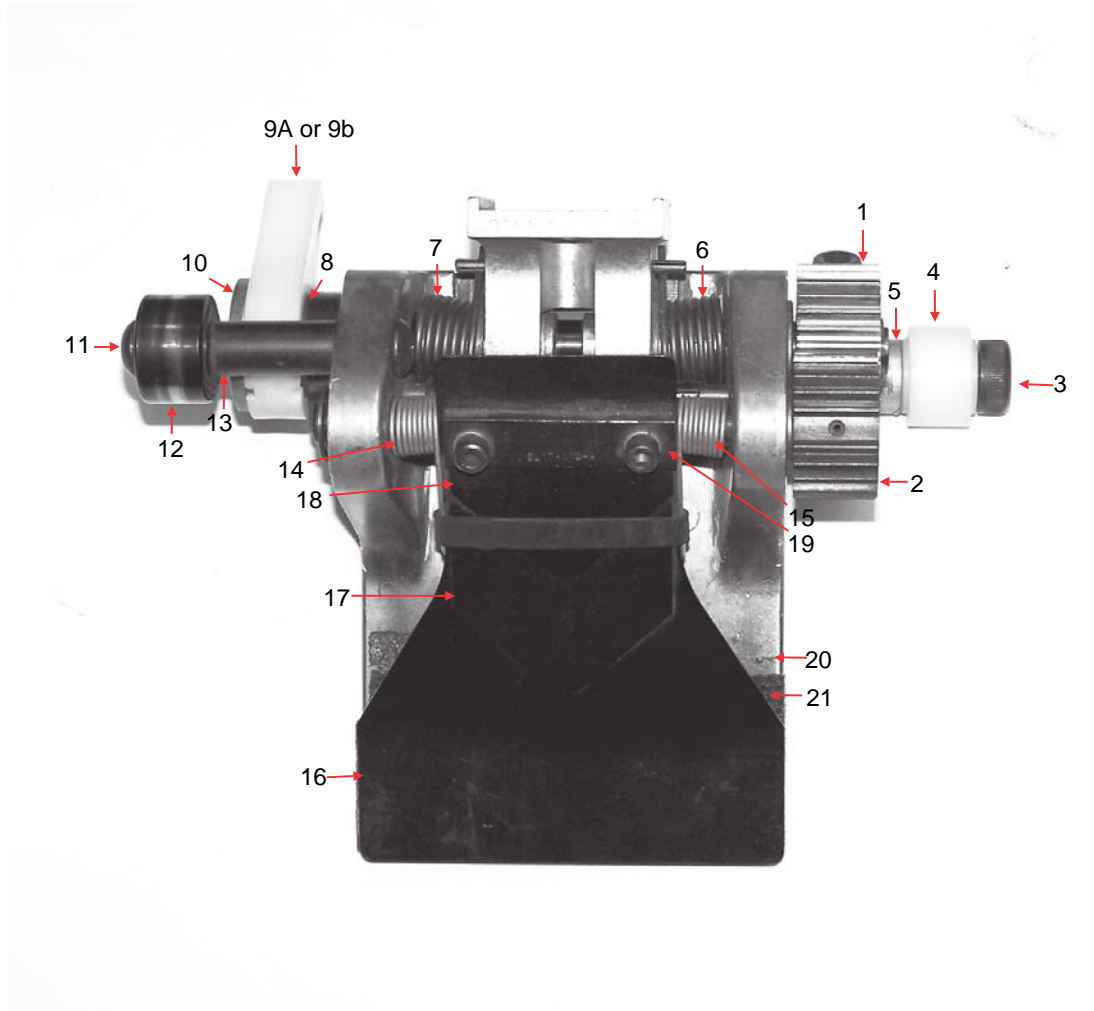
## ELECTRIC CLUTCH



| PART NUMBER | DESCRIPTION              |
|-------------|--------------------------|
| KMS 9158    | CLUTCH ASSY (3 OR 4 PIN) |
| KMS 9159    | SWITCH (SEPAC)           |
| KMS 9160    | ANTI-ROTATION BRACKET    |
| KMS 9161    | LEVER W/ROLLER           |
| KMS 9162    | BRACKET                  |
| KMS 9163    | ROTOR COLLAR & SCREW     |
| KMS 9165    | MAGNET BODY ASSY         |
| KMS 9167    | ARMATURE                 |
| KMS 9168    | DETENT PIN               |
| KMS 9169    | SPACER                   |
| KMS 9170    | SPRING                   |
| KMS 9171    | PULLEY & ADAPTOR ASSY    |
| KMS 9172    | SLEEVE SPACER            |
| KMS 9229    | SWITCH, MATRIX CLUTCH    |
| KMS 9166-3  | ROTOR 3-PIN              |
| KMS 9166-4  | ROTOR 4 PIN              |

**We offer Rebuild services on your existing clutch**

## CONVEYOR GRIPPER



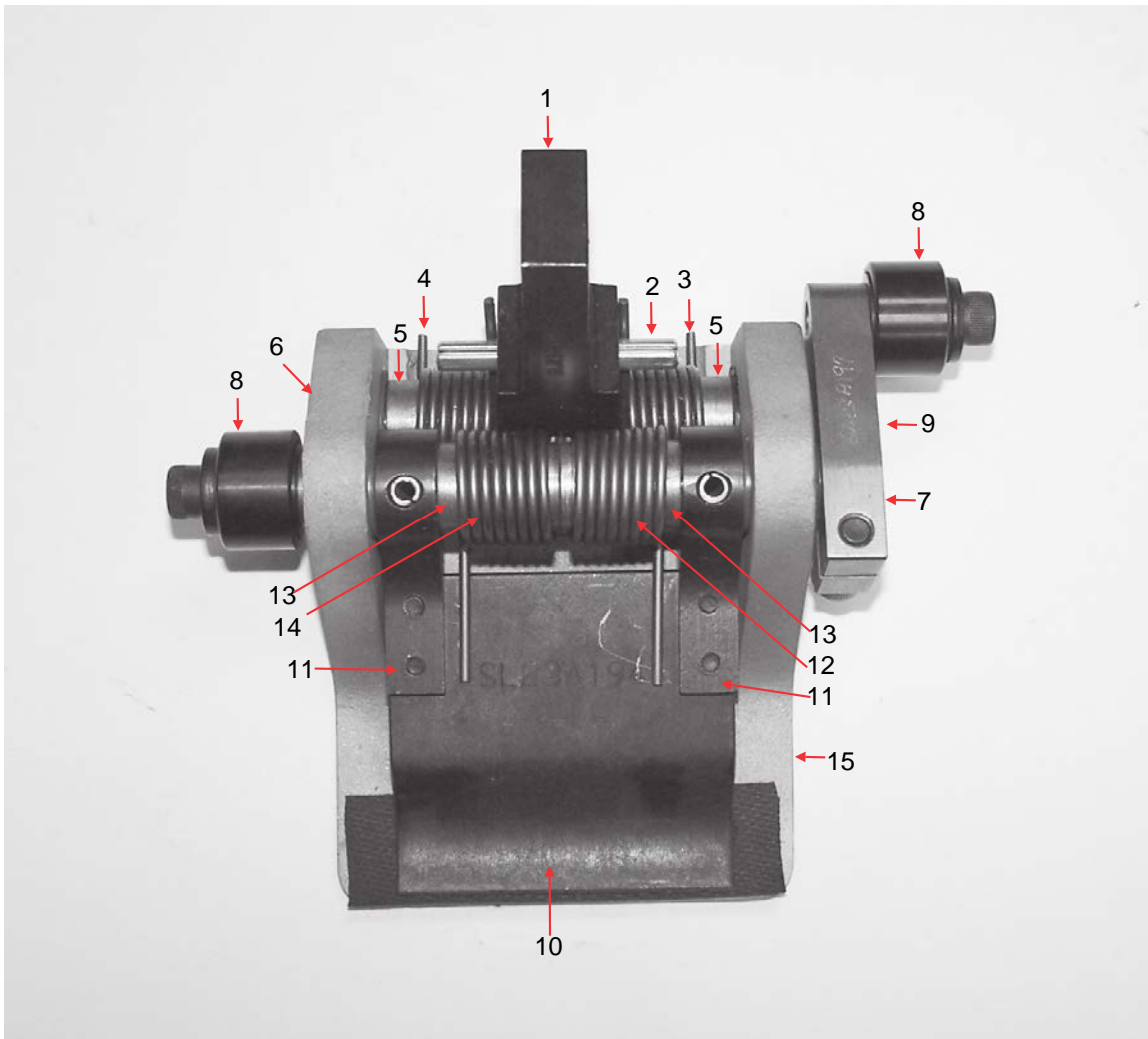
See last two pages for fixed gripper

**CONVEYOR GRIPPER**

| <b>ITEM</b> | <b>PART<br/>NUMBER</b> | <b>DESCRIPTION</b>           | <b>QUANTITY</b> |
|-------------|------------------------|------------------------------|-----------------|
| 1           | KMS 9837S              | DRIVER GEAR**                | 1               |
| 2           | KMS 9836               | DRIVEN GEAR*                 | 1               |
| 3           |                        | SHOULDER BOLT                | 1               |
| 4           | KMS 9714               | ROLLER                       | 1               |
| 5           | KMS 9716               | GRIPPER SPACER               | 1               |
| 6           | GMA0052                | RH TORSION SPRING            | 1               |
| 7           | GMA0053                | LH TORSION SPRING            | 1               |
| 8           | KMS 7601               | CLUTCH SPRING                | 1               |
| 9A          | KMS 9838               | GRIPPER TRIGGER (SQUARE END) | 1               |
| 9B          | KMS 9840               | GRIPPER TRIGGER (TEARDROP)   | 1               |
| 10          | KMS 9839               | PSI CLUTCH ASSY              | 1               |
| 11          | H-288 & H-297          | BUTTON HD CAPSCREW           | 1               |
| 12          | KMS 2217               | CAMROL BEARING               | 1               |
| 13          | KMS 9844               | ROLLER SUPPORT SHAFT         | 1               |
| 14          | KMS 9262               | LH GRIPPER SPRING            | 1               |
| 15          | KMS 9263               | RH GRIPPER SPRING            | 1               |
| 16          | GC0318                 | GRIPPER I                    | 1               |
| 17          | GC0319                 | GRIPPER II                   | 1               |
| 18          | GC0320                 | GRIPPER III                  | 1               |
| 19          | GC0328                 | BACK UP PLATE                | 1               |
| 20          | KMS 9841               | GRIPPER BODY                 | 1               |
| 21          | KMS 9835               | GRIPPER PAD                  | 1               |
|             | KMS 9834               | GRIPPER BAND                 |                 |
|             | GMA0435                | DRIVEN GEAR (PLASTIC)*       |                 |
|             | GMA0436                | ARM GEAR (PLASTIC)**         |                 |

**WE NOW CARRY A COMPLETE LINE OF PLASTIC  
(metric) GRIPPER CHAIN, TRACK, PROFILES, DRIVE  
SPROCKETS AND SHAFTS FOR THE SLS1000 & 2000  
GRIPPER CONVEYOR**

## DRUM GRIPPER

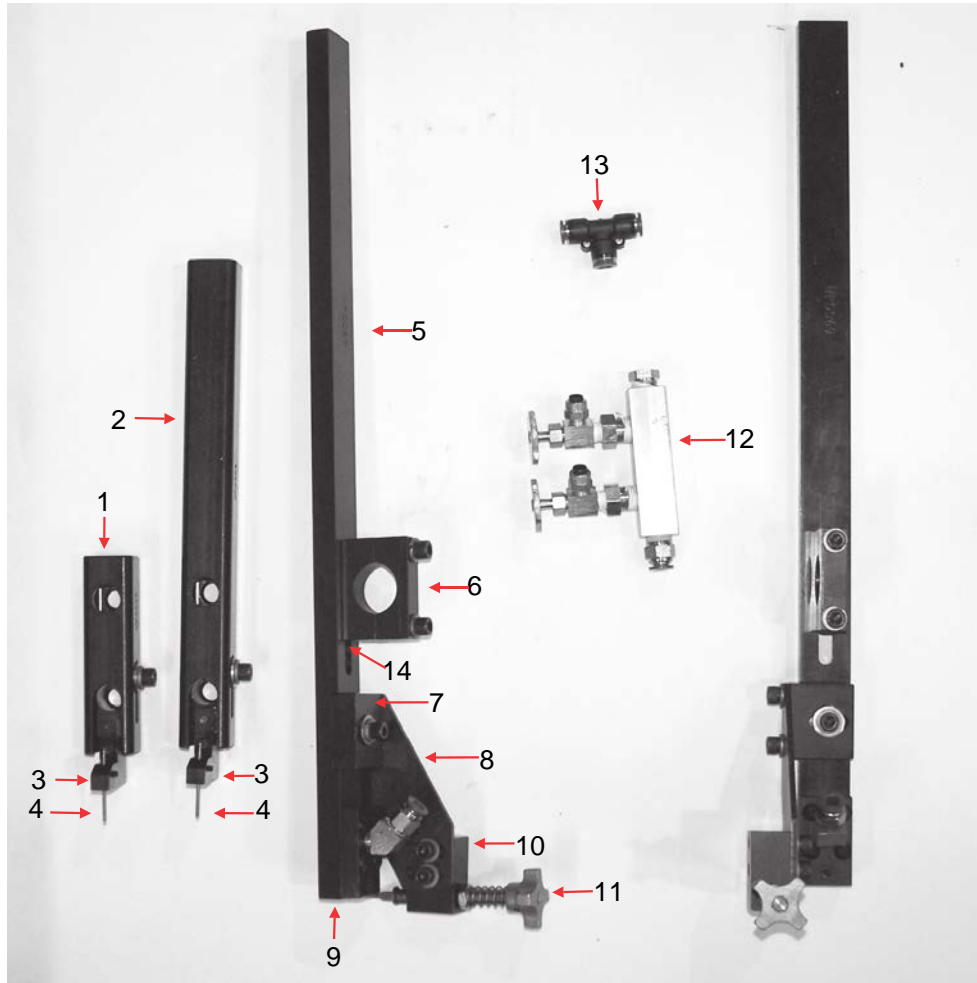


**DRUM GRIPPER**

| <b>ITEM</b> | <b>PART<br/>NUMBER</b> | <b>DESCRIPTION</b>      | <b>QUANTITY</b> |
|-------------|------------------------|-------------------------|-----------------|
| 1           | KMS 9179               | YOKE                    | 1               |
| 2           |                        | ROLL PIN                | 1               |
| 3           | KMS 9182               | LH LOWER TORSION SPRING | 1               |
| 4           | KMS 9183               | RH LOWER TORSION SPRING | 1               |
| 5           | KMS 9185               | LOWER SPRING SPACER     | 2               |
| 6           | KMS 9176               | LOWER SHAFT             | 1               |
| 7           | KMS 9175               | UPPER SHAFT             | 1               |
| 8           |                        | BEARING                 | 2               |
| 9           | KMS 9177               | CAM FOLLOWER ARM        | 1               |
| 10          | KMS 9174               | UPPER GRIPPER PLATE     | 1               |
| 11          | KMS 9178               | UPPER SHAFT MOUNT       | 2               |
| 12          | KMS 9184               | LH UPPER TORSION SPRING | 1               |
| 13          | KMS 9186               | UPPER SPRING SPACER     | 2               |
| 14          | KMS 9181               | RH UPPER TORSION SPRING | 1               |
| 15          | KMS 9187               | GRIPPER BODY            | 1               |
|             | KMS 9187C              | COMPLETE DRUM GRIPPER   |                 |

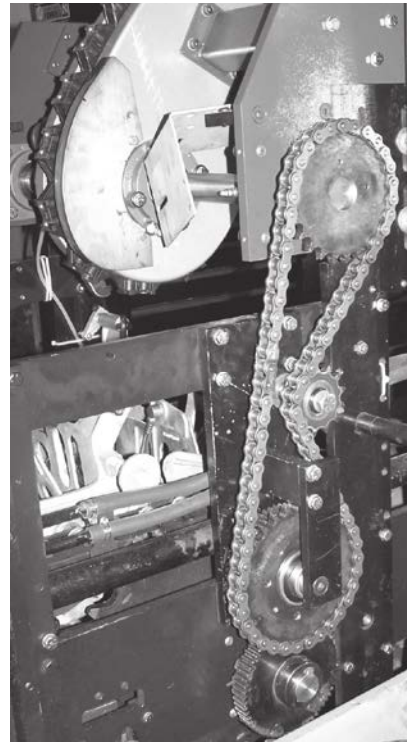
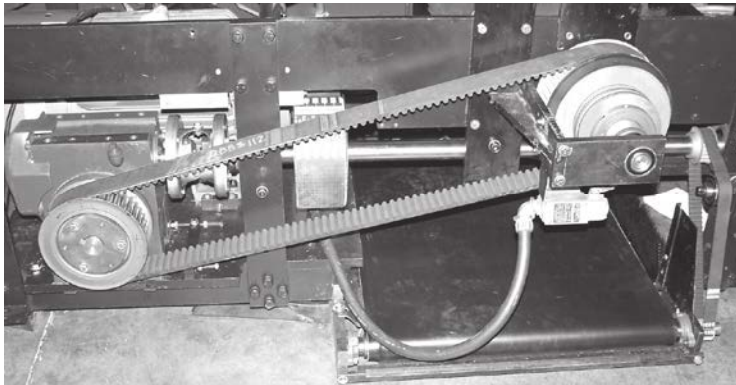
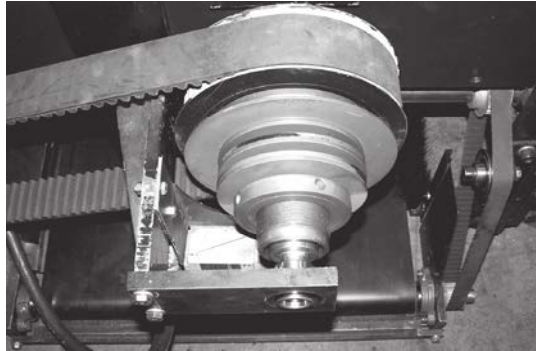
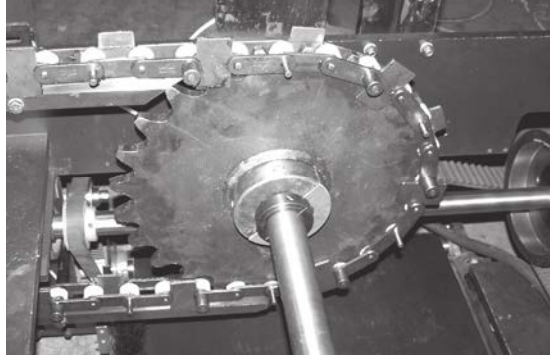
NOT SHOWN KMS 9177S ARM SPACER

## SINGLE SHEET ENHANCEMENT KIT



| ITEM | PART NUMBER | DESCRIPTION                  | QUANTITY |
|------|-------------|------------------------------|----------|
|      | HP0087      | SINGLE SHEET ENHANCEMENT KIT | 1        |
| 1    | HP0082      | SHORT REAR NEEDLE BAR        | 1        |
| 2    | HP0078      | LONG REAR NEEDLE BAR         | 1        |
| 3    | HP0080      | REAR NEEDLE BLOCK ASSY       | 2        |
| 4    | KMS 1032    | PILE SUPPORT NEEDLE          | 2        |
| 5    | HP0069      | LIGHT SECTION FRONT GUIDE    | 2        |
| 6    | KMS 2044C   | CLAMP                        | 2        |
| 7    | HP0073      | ADJUSTMENT BLOCK             | 2        |
| 8    | HP0074      | NEEDLE BRACKET               | 2        |
| 9    | HP0070      | LOWER AIR BLOCK              | 2        |
| 10   | HP0075      | NEEDLE BLOCK                 | 2        |
| 11   | KMS 2322    | THREADED ROD W/HANDLE ASSY   | 2        |
| 12   | HP0085      | AIR MANIFOLD,AIR BLAST ASSY  | 1        |
| 13   | AF 0001     | AIR FITTING                  | 1        |
| 14   | HP0071      | NUT BAR                      | 2        |

**WE OFFER A FULL LINE OF DRIVE GEARS  
SPROCKETS, SHAFTS, BELTS, AND CHAIN**





## 46" WEB REDUCTION for SLS1000 POCKET

### FEATURING:

- Add-on adapter kit moves sucker cup and lap gripper 1-7/16" towards center of pocket
- 3-piece Kit includes; adapter block, sucker stem and longer gripper shaft

CALL FOR PRICING: **KIT# KMS0330**





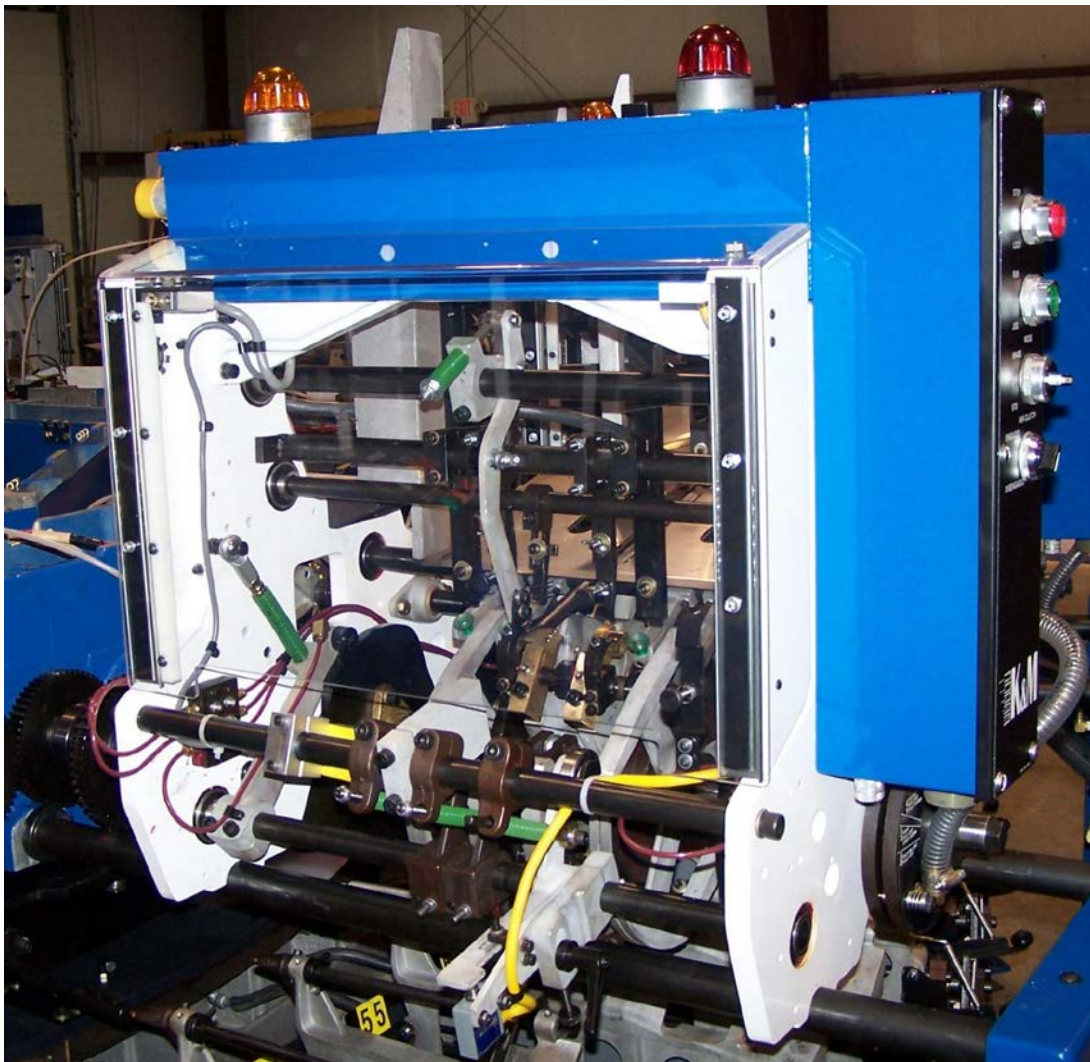
## Remanufactured Hopper Exchange

K&M Newspaper Services, Inc. a leading provider of automated newspaper inserting equipment offers a hopper exchange program.

- Completely remanufactured
- New safety guards
- Remanufactured electrics
- 2 year parts warranty standard

**Let us rebuild your old worn-out hoppers**

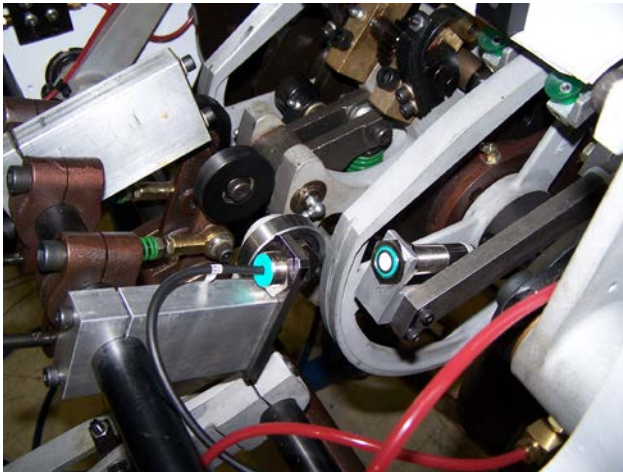
CALL FOR MORE INFORMATION



## Electronic Single Sheet Double Detection

### Key Features:

- Utilizes *ultrasonic* technology – no moving parts
- No “learn” required for single sheet double detection
- Selector switch to select between conventional *mechanical* caliper for multiple page product and single sheet - *electronic detection*
- Single sheet thickness range: .0015” to .125”
- Material: any single sheet solid paper stock or plastic film
- Dust does not effect performance of sensor
- Miss detection option



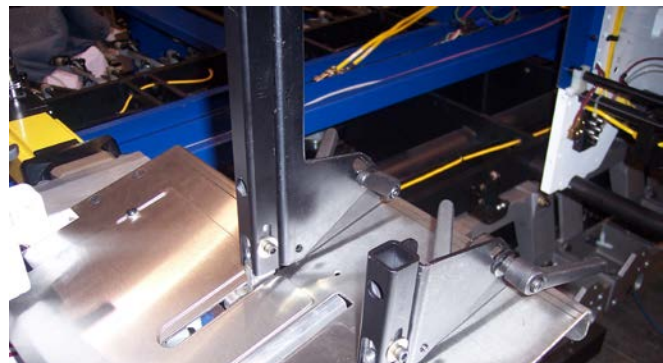
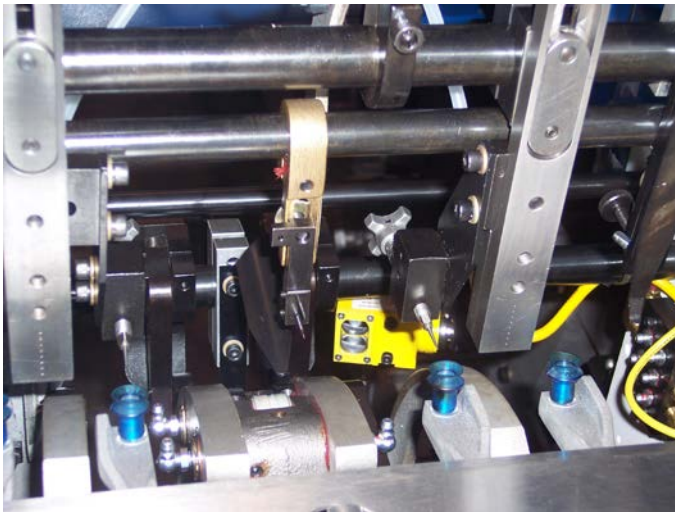
## HP0087 – Single Sheet Feeding Enhancement Kit

**K&M Newspaper Services, Inc.** a leading provider of automated newspaper inserting equipment now offers a single sheet hopper enhancement kit. You can run single sheets and low page count inserts through your standard MS/ MSL hopper without losing the functionality of running thicker inserts in the same MS/ MSL hopper.

### THIS KIT FEATURES:

- Front paper guides with air blast and needles
- Rear guides (with drag pins) bolt onto existing back guides
- Easily attaches to MS, MSH, MSL style hoppers

CALL FOR PRICING



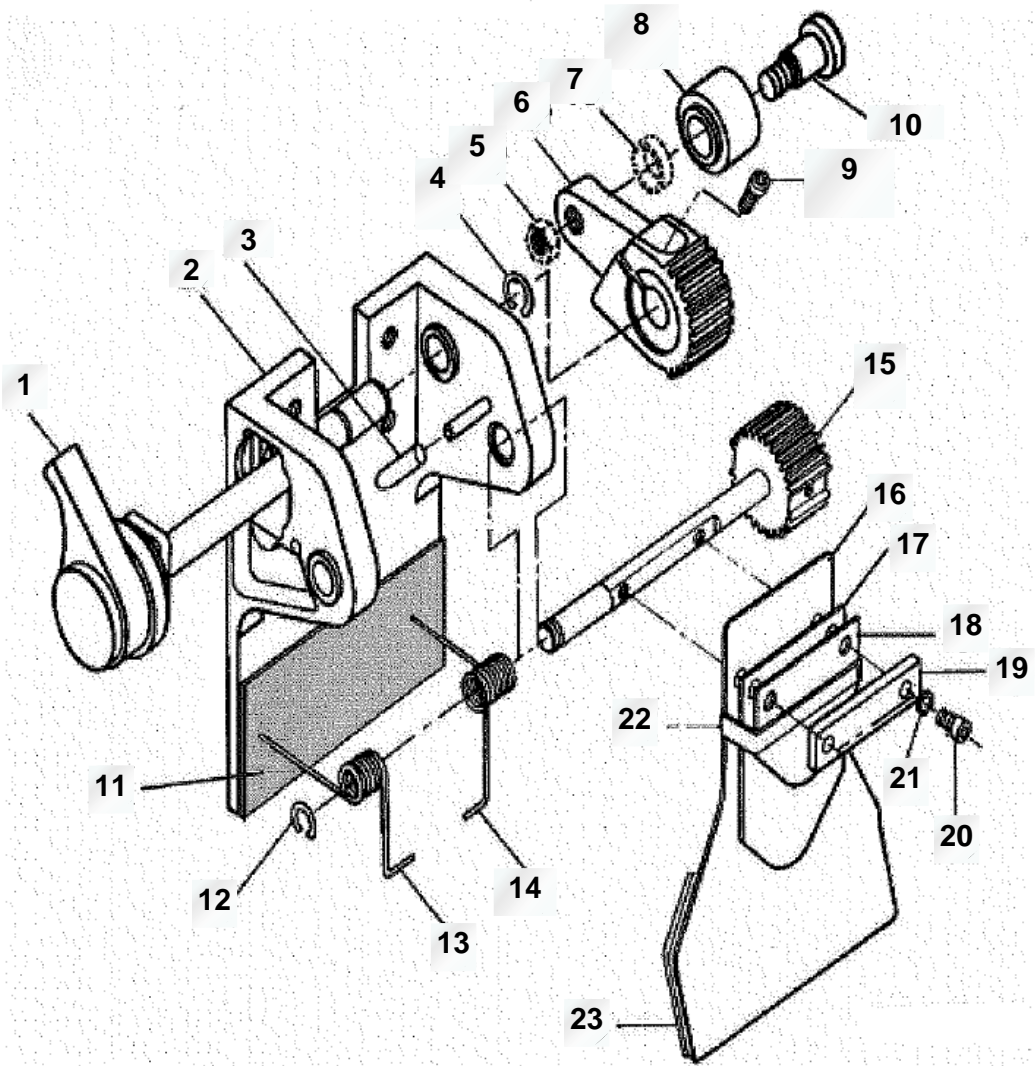
**GMA GRIPPER CHAIN, TRACK, SPROCKETS, PROFILES**



**BLANK PAGE**



### FIXED GRIPPER



**FIXED GRIPPER**

| <b>ITEM</b> | <b>PART<br/>NUMBER</b> | <b>DESCRIPTION</b>  |
|-------------|------------------------|---------------------|
| 1           | KMS 9839               | PSI CLUTCH ASSY     |
| 2           | KMS 9841               | GRIPPER BODY ASSY   |
| 3           | RC-250                 | RED CAP             |
| 4           | H-305                  | RETAINING RING      |
| 5           | H-174                  | JAM NUT             |
| 6           | KMS 9837S              | GEAR DRIVER         |
| 7           | KMS 9716               | SPACER              |
| 8           | KMS 9714               | GRIPPER ROLLER      |
| 9           | H-308                  | SOCKETHEAD CAPSCREW |
| 10          | H-307                  | SHOULDER BOLT       |
| 11          | KMS 9835               | GRIPPER PAD         |
| 12          | H-306                  | RETAINING RING      |
| 13          | KMS 9262               | LH TORSION SPRING   |
| 14          | KMS 9263               | RH TORSION SPRING   |
| 15          | KMS 9836               | DRIVEN GEAR         |
| 16          | GC0318                 | GRIPPER 1           |
| 17          | GC0319                 | GRIPPER 2           |
| 18          | GC0320                 | GRIPPER 3           |
| 19          | GC0328                 | BACK UP PLATE       |
| 20          | H-309                  | SOCKETHEAD CAPSCREW |
| 21          | H-136                  | LOCKWASHER          |
| 22          | KMS 9834               | GRIPPER BAND        |
| 23          | KMS 9884               | GRIPPER TREAD TAPE  |